

Date: _____ Customer: _____

Project: _____

Type: _____ Qty: _____



Side's concept is highly flexible and can be used as floor washlight, wallwasher or as an indirect light fitting. Placed at low heights, Side is a tool to illuminate circulation paths. Side can be installed on the ceiling and have a wallwash function. Moreover, Side can also be placed on the wall above the eye height and wallwash the ceiling, generating indirect ambient lighting. Installation boxes and plasterkits are available for the application of this product in various surfaces. The visible trim can be delivered in a silver or white finish powder coating.

Small Side and Small Square Side are recessed fixtures for walls or ceilings. They can be installed in brickwork or cavity walls and require only 80mm depth. Control gears, transformer or electronic components are mounted inside the housing. Reflector is included.

Construction

Luminaire

Made from sheet steel electrostatically treated and powder coated.

Finishes

- White (RAL 9016)
- Grey (RAL 9006)

Mounting Options

Recess mounting in drywall/sheetrock or plaster with trimless spackle flange.

Classifications

- Ingress Protection – IP40

Electrical Characteristics

LED Life

L80 greater than 50,000 hours.

Correlated Color Temperature (CCT)

- Available in 2700.
- CRI 80+

Gear

Standard 120V driver with on/off function (no dimming). Consult factory for TRIAC phase dim or 0-10V dim.



Ordering Codes

KU__ -	__ -	27 -	85 -	__ -
KREON SMALL SIDE	INSTALLATION MATERIAL	LIGHT SOURCE AND CCT	CRI	FINISH COLOR OF FLANGE*
SS – Rectangular aperture with flange SSIL (In-Line) – Rectangular trimless/flangeless installation SSQ – Square aperture with flange SSQIL (In-Line) – Square trimless/flangeless installation	DW – Drywall/sheetrock (or plaster) WO – Wood CB – Concrete or Brick and Mortar (requires Installation box)	27 – 2700K (consult factory for other options)	85 – 85+ min CRI	WHT – White GRY – Grey

Ordering Example: **KUSS-CB-27-85-WHT**

*Consult factory for custom RAL finish color options for flange. Reflector is always matte silver/gray.

Photometry — For full photometry, please reference IES files on www.kreon.com

KUSS-27-85-GRY

(no accessories) Small Side

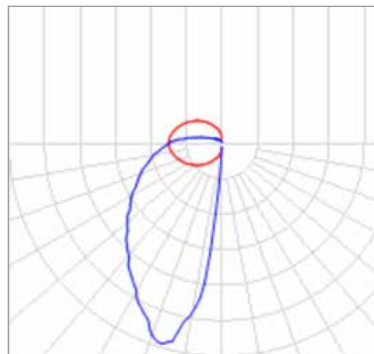
Light Engine: 890 lumens

CCT: 2700K

CRI: 85+

Power: 12W

Luminaire Output: 349 lumens
(30 lm/W)



KUSSQ-27-85-WHT

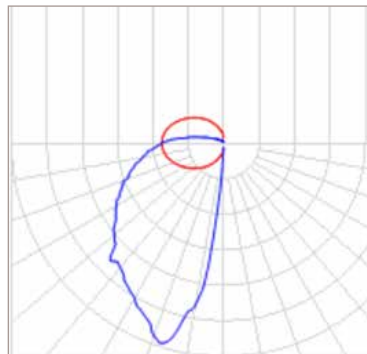
(no accessories) Small Square Side

Light Engine: 1330 lumens

CCT: 2700K

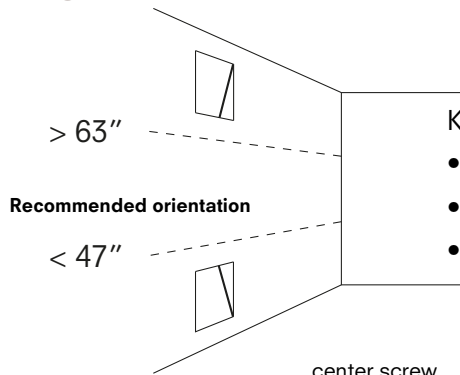
Power: 18W

Luminaire Output: 572 lumens
(32 lm/W)



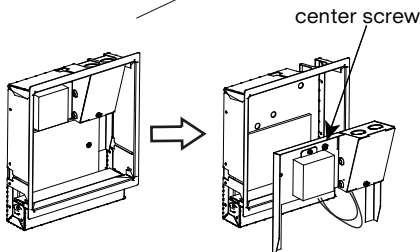
Small Side luminaires are ETL listed for dry and damp locations.
Small Side luminaires lend support for LEED credits and certification.

Mounting/Installation

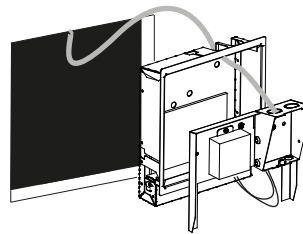


Kreon recommends to install the luminaire as follows:

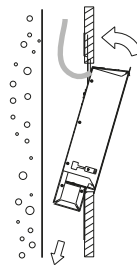
- Install Side higher than 63" for uplight.
- Install Side lower than 47" for downlight.
- Thickness of boardmaterial: 1/3" - 4/5"



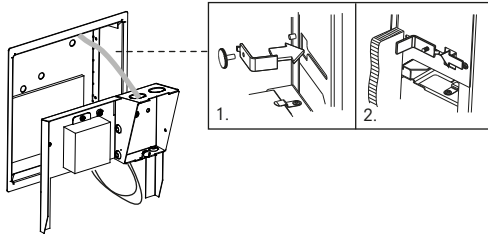
Take out the reflector and unscrew center screw, take out the inner plate carefully — do not pull!



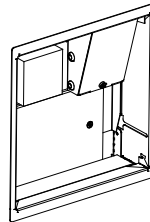
Lead supply wire in luminaire, remove the knock-out and make connection in j-box



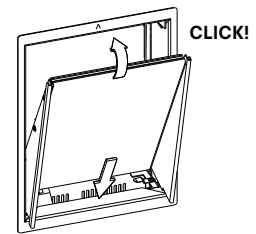
Insert housing into wall



Insert bracket from the inside (1.) slide the bracket to the wall (2.) and fix with the thumbscrews

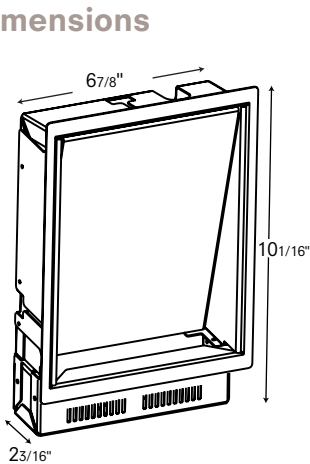


Replace the innerplate and close the junction-box carefully

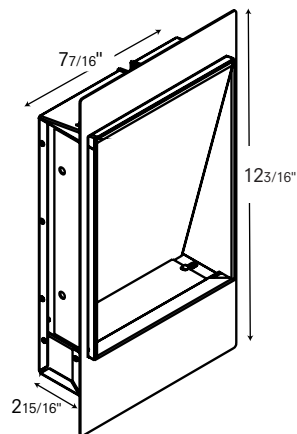


Insert the reflector, underside first — use plastic gloves

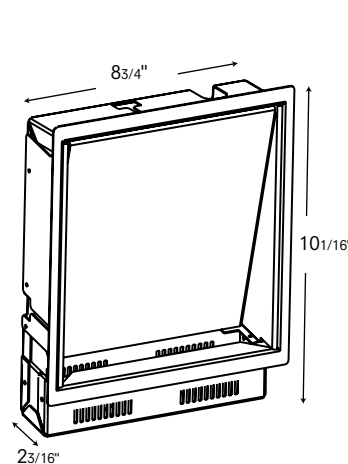
Dimensions



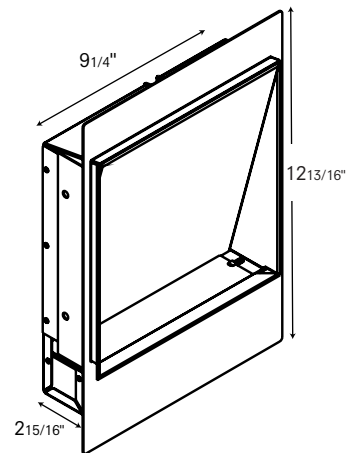
Small Side (SS)



Small Side In-Line (MSIL)



Small Square Side (SSQ)



Small Square Side In-Line (SSQIL)



Small Side luminaires are ETL listed for dry and damp locations.
Small Side luminaires lend support for LEED credits and certification.