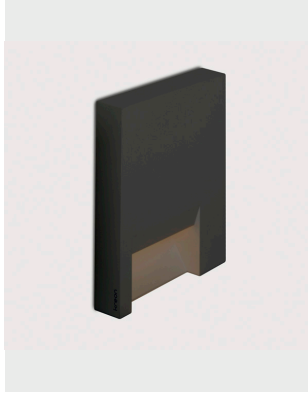


Date: _____ Customer: _____

Project: _____

Type: _____ Qty: _____



Rokko is a semi-recessed luminaire that requires minimal installation depth. Rokko produces a soft luminance gradient and is ideal for pathway and orientation lighting. Whether used indoors or outdoors Rokko can generate a formal continuity in architecture from the interior to the exterior.

With its cubist and pure form, Mini Rokko and Mini Square Rokko add a pleasant touch to architecture and create a poetic nocturnal accent. Mini Rokko and Mini Square Rokko can also be installed in brickwork or cavity walls.

Components are die-cast and painted with high quality finishes in matte black or white powder coating.

Construction

Luminaire

Made from high-pressure die cast aluminum. Surface treatment by powder-coated.

Finishes

- White (RAL 9016)
- Black (RAL 9004)

Mounting Option

- Wall mounted.
- Ceiling mounted.

Classifications

- Ingress Protection – IP67
- Dust tight
- Protected against powerful water jets

Electrical Characteristics

LED Specification

Cree LED.

LED Life

L80 greater than 50,000 hours.

Correlated Color Temperature (CCT)

- Available in 3000K.
- CRI 80+

Gear

Standard 120V driver with on/off function (no dimming). Consult factory for TRIAC phase dim or 0-10V dim.



Ordering Codes

KU__ -	30 -	80 -	__ -	__ -	_____
KREON MINI ROKKO	LIGHT SOURCE AND CCT*	CRI	FINISH COLOR*	ELECTRIC GEAR**	OPTIONAL ACCESSORIES (USE ALL THAT APPLY, BLANK FOR NONE)
MR – Rectangular MSR – Square	30 – 3000K	80 – 80+ min CRI	WHT – White BLK – Black	RMT – Remoted INT – Integral 120V	LTF – Liquid Tight Fitting (to be used when fixtures are connected in cascade) CP – Concrete pouring mould PCS – Mini Rokko screw cover black pcs – Mini Rokko screw cover white

Ordering Example: **KUMR-30-80-BLK-RMT-LTF**

* Consult factory for other options

** Option RMT for MR only. For MR size, one driver (INT option) can drive two fixtures within 30'. Choose LTF accessory to accommodate additional wiring. Low voltage wiring between fixtures supplied by others.

Photometry — For full photometry, please reference IES files on www.kreon.com

KUMR-30-80-WHT-RMT
(no accessories)

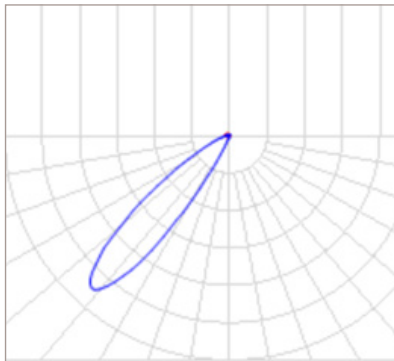
Light Engine: 130 lumens

CCT: 3000K

CRI: 80+

Power: 2.3W

Luminaire Output:
69 lumens (30 lm/W)



KUMSR-30-80-BLK-RMT
(no accessories)

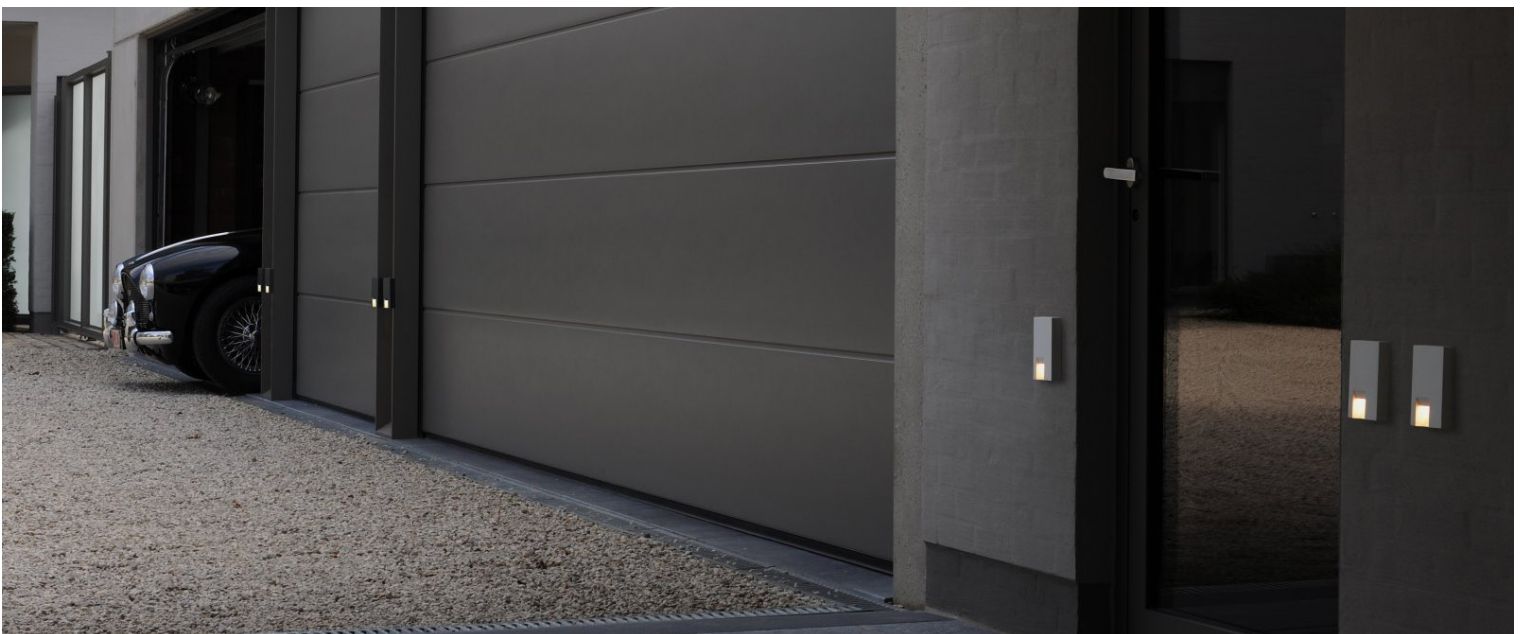
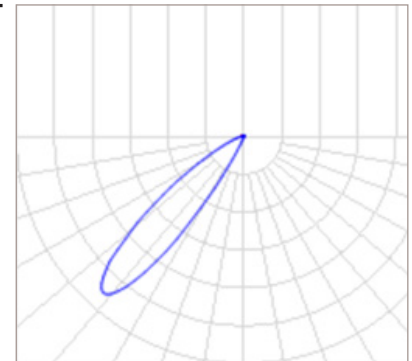
Light Engine: 390 lumens

CCT: 3000K

CRI: 80+

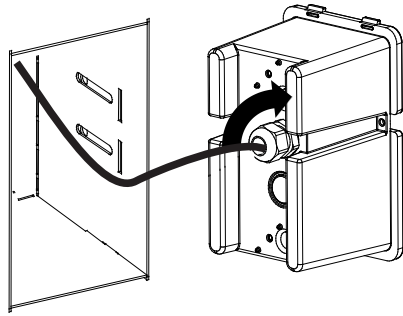
Power: 7W

Luminaire Output:
207 lumens (30 lm/W)

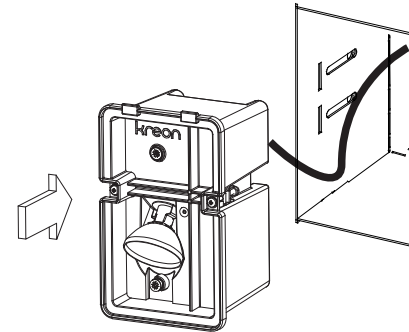


Mini Rokko luminaires are ETL listed for dry and damp locations.
Mini Rokko luminaires lend support for LEED credits and certification.

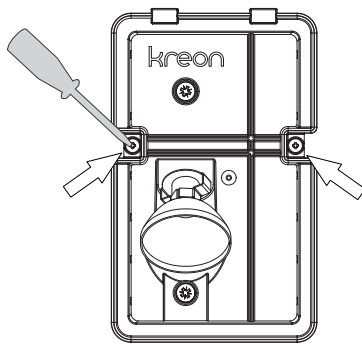
Mounting/Installation



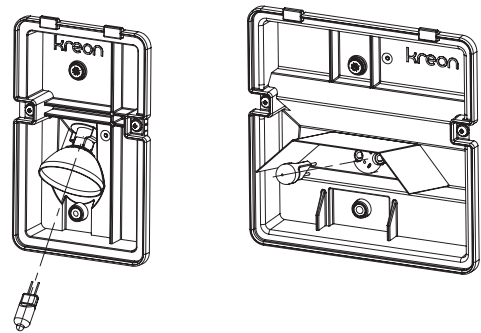
1. Pull wire through liquid tight cord grip and tighten screw very well



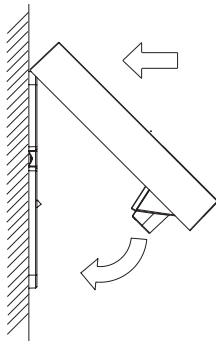
2. Make correct connection see wiring diagrams



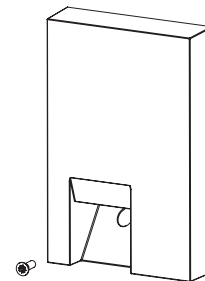
3. Fasten screws until the luminaire is fixed



4. Insert lamp (if needed)

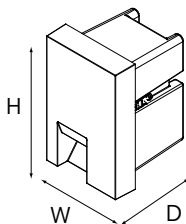


5. Attach cover to the hinge and rotate while closing

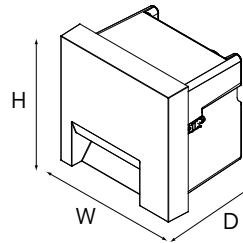


6. For Mini Rokko, fix cover with supplied screw. To ensure watertightness do not use other screws!

Dimensions



Mini Rokko



Mini Square Rokko

	H	W	D
Mini Rokko LED (gear excl.)	5 1/2"	3 1/2"	4"
Mini Rokko LED (gear incl.)	5 1/2"	3 1/2"	4"
Mini Square Rokko LED (gear incl.)	5 1/2"	5 1/2"	4 1/8"



Mini Rokko luminaires are ETL listed for dry and damp locations. Mini Rokko luminaires lend support for LEED credits and certification.