

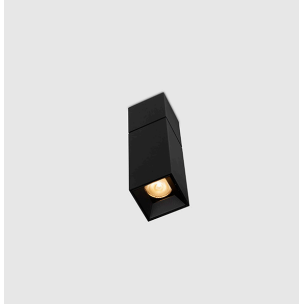
kreon prologe 40

Date: _____ Customer: _____

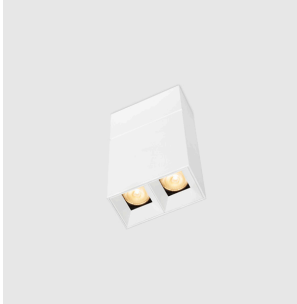
Project: _____

Type: _____ Qty: _____

prologe 40 single



prologe 40 double



prologe 40 double deep louvre



prologe 40 double dark light



prologe 40 directional, surface



prologe 40 directional, recessed



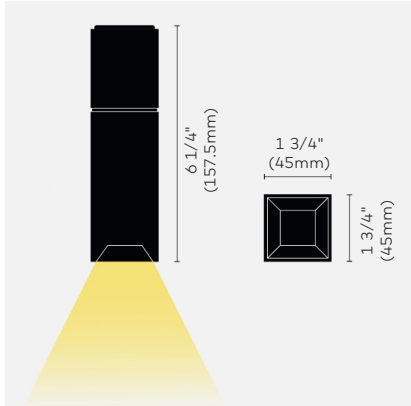
KU _____ - _____ - _____ - _____ - _____ - _____ - _____ - _____

kreon prologe	Louvre Style	beam angle	CCT	CRI	finish	remote dimming	Mounting Accessory
PRO40 prologe 40	ST standard	SP Spot 20°	27 2700K	90 90+ min CRI	WH White	SW on/off switching; 120/277VAC ***SW versions integral driver for double versions***	JCB Junction Box Cover Black
PROD40 prologe 40 double	DE¹ deep louvre	FL Flood 30°	30 3000K		BL Black		
PRODS 40 prologe 40 directional surface		WF Wide Flood 38°	35 3500K			D1 Triac Phase Dim (10%); 120VAC only D2 0-10V dim (10%); 120/277VAC D2LD 0-10V Dimming (1%); 120/277VAC D3-2 Lutron Hi-Lume Dim to 1% for 2-wire; 120VAC D3-3 Lutron Hi-Lume Dim to 1% for 3-wire; 120/277VAC D3-ECO Lutron SoftOn/Fade to Black EcoSystem dimming (1%) 120/277V D4 EldoLED 0-10V dim to dark (0%); 120/277VAC	**Leave blank if not required**
PRODR 40 prologe 40 directional recessed		Dark Light Optics Only available with standard louvre					
**Prologe directional are only available in standard louvre		DL Dark Light 40° WDL Wide Dark Light 76° **DL/WDL louvre are always black					

¹ Not available with Dark Light Optics

kreon prologe 40

prologe 40 single

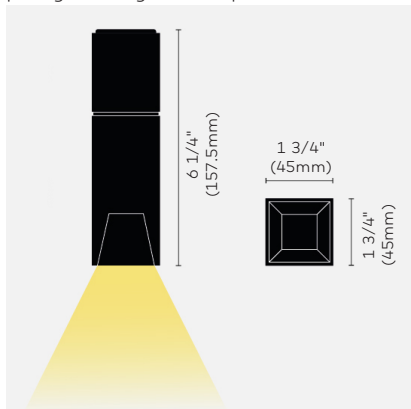


Description

kreon prologe 40 offers a wide flexibility for composing systematic yet highly individual light scenography's.

kreon prologe 40 wants to create functional light through the discreet presence of simple architectural volumes. The original element of this range is light, captured in a small surface mounted box. Different optics give this basic volumes the identity that fits it's surroundings.

prologe 40 single w/ deep louvre



Finish

Made from zamak die cast. Available as white or black

Optical system / LED's

LED life of L80 greater than 50,000 hours.

Color temperatures / CRI

Available in 2700K, 3000K or 3500K

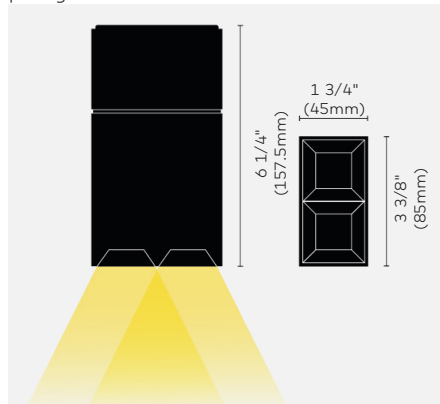
Controls / Dimming

switching on/off; Triac phase (120V only), 0-10V dim (120-277V), or Lutron Ecosystem

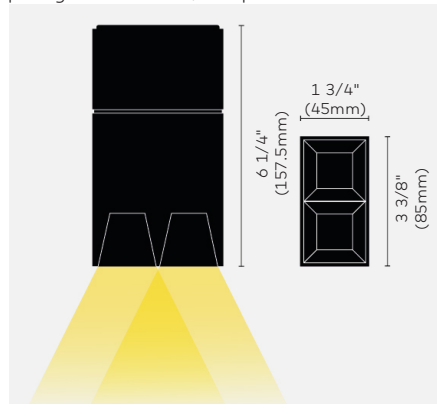
ETL / UL

All kreon prologe 40 products are rated for indoor use only, in either a dry or damp location - IP40.

prologe 40 double



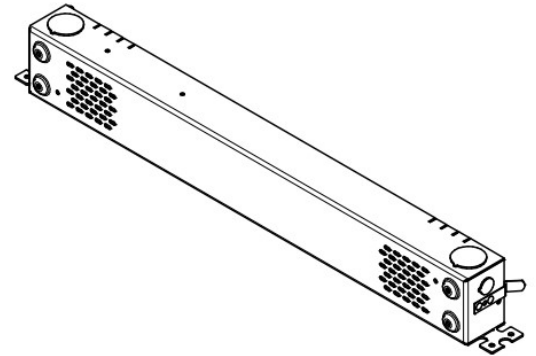
prologe 40 double w/ deep louvre



kreon prologe 40

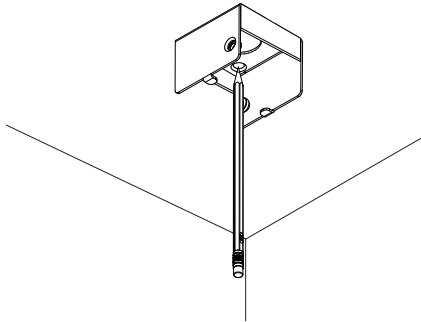
Remote Driver Box Dimensions

Control Selection	Driver	Dimensions
D1	Triac Phase Dimming (10%)	7"x2.375"x1.5" (LxWxH)
D2	0-10V Dimming (10%)	7"x2.375"x1.5" (LxWxH)
D3-XXX	Lutron Hi-Lume 2-Wire Dimming	19"x2.48"x1.97" (LxWxH)
D4	EldoLED dim to dark	16.5"x2.48"x1.97" (LxWxH)

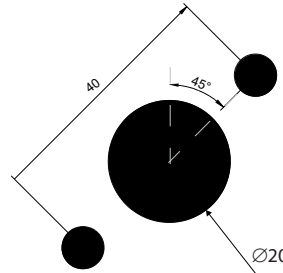


Prologe 40 Single Installation

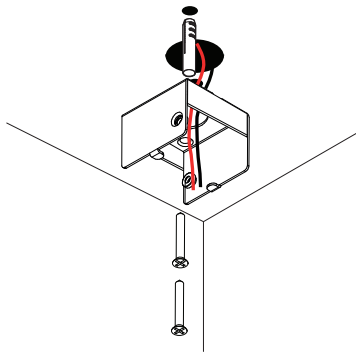
the installation plate that's delivered within the prologe 40 can be used to indicate the fixation holes on the ceiling



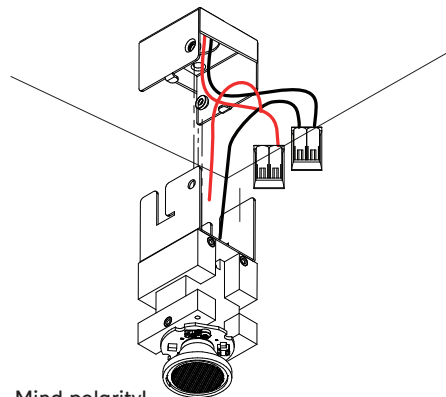
drill two holes for fixation (diameter of the fixation holes in prologe = D3,5mm) and one hole in the middle ±20mm for the cable throughput



pull the connection cables through the hole in the middle of the installation part and mount it against the ceiling



connect the wires to the connectors (not included)
connect red to red cable and black to black cable to connect more than one LED module to one driver, see installation manual KR8000002081

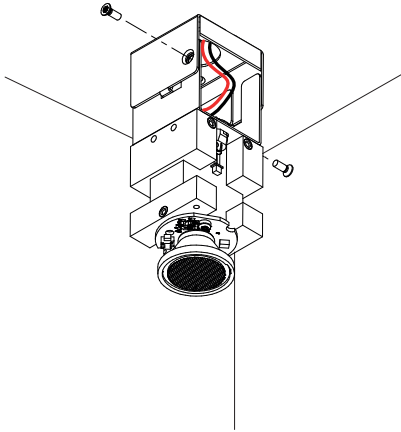


Mind polarity!
+ = red; - = black
do not connect product to a powered driver!

kreon prologe 40

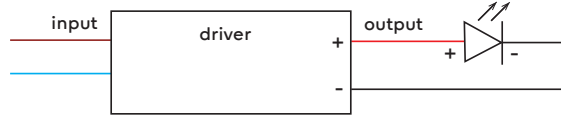
Prologe 40 Single Installation

fix the luminaire with two screws
to the installation part

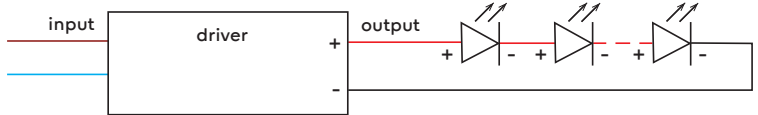


electrical scheme

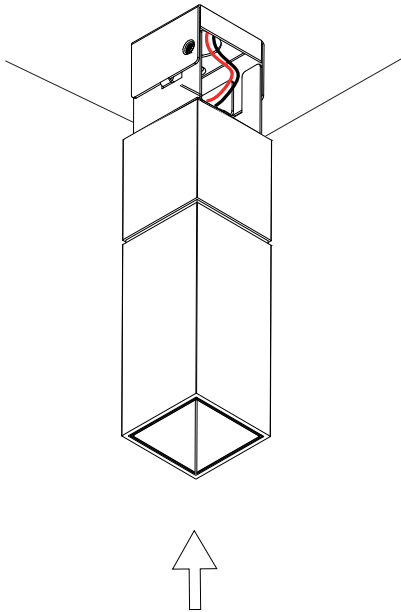
LED = 1



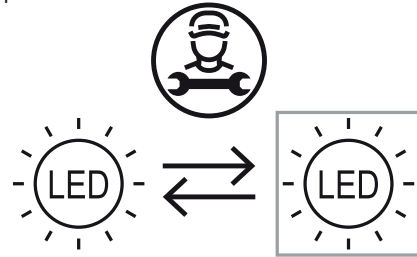
LED > 1



slide the cover over the luminaire until you
hear a click



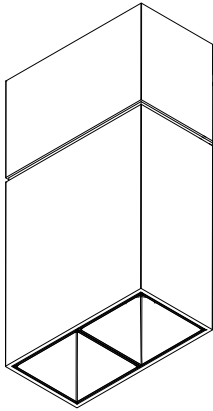
The light source contained in this luminaire
shall only be replaced by the manufacturer
or his service agent or a similar qualified
person.



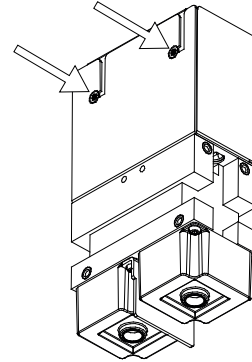
kreon prologe 40

Prologe 40 Double Installation

separate the cover from the luminaire by pulling the cover down



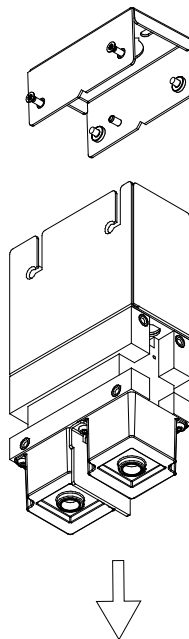
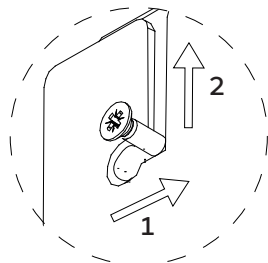
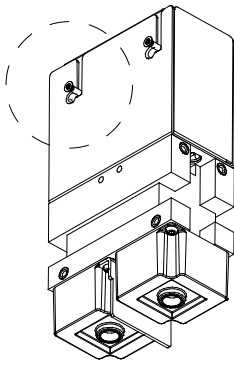
partially unscrew the four screws of the installation plate



guide the screws through the opening in the luminaire

separate the installation plate from the luminaire by pulling it downwards

first, slide the luminaire sideways
second, pull the luminaire down.

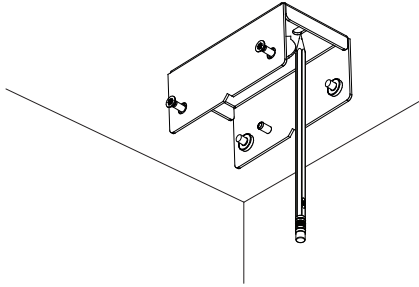


kreon prologe 40

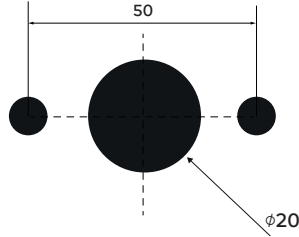
prologe 40 double installation

the installation plate that is delivered within the prologe 40 can be used to indicate the fixation holes on the ceiling

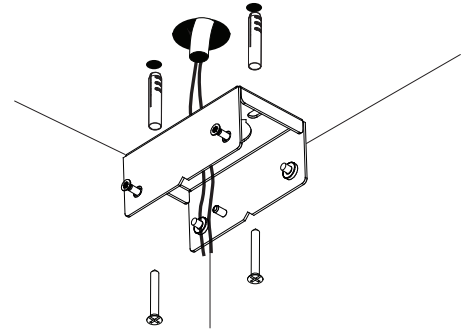
make sure the installation plate is aligned correctly this determines the direction of the fixture!



drill two holes for fixation 50 mm apart and one hole in the middle ± 20 mm for the cable throughput

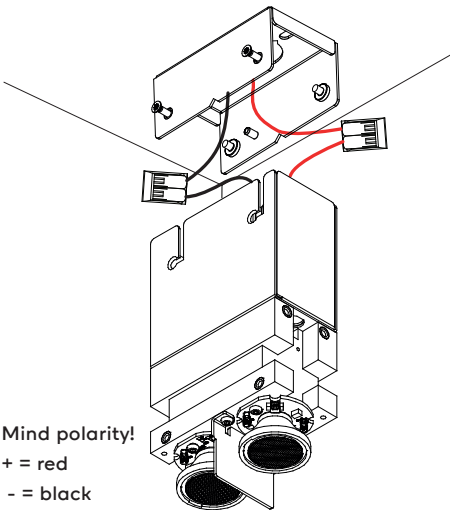


pull the connection cables through the hole in the middle of the installation part and mount it against the ceiling



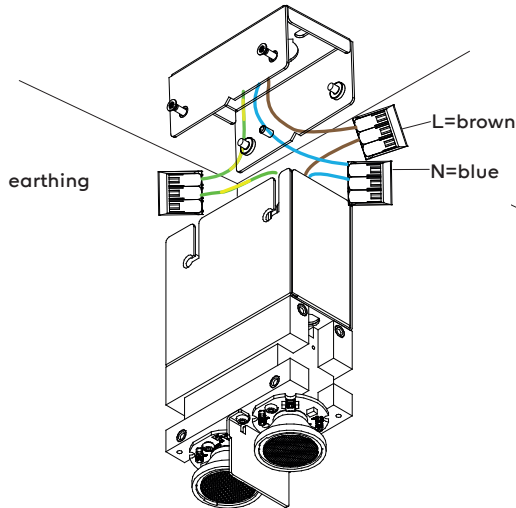
in case of gear exclusive

connect the wires, connect red to red cable and black to black cable

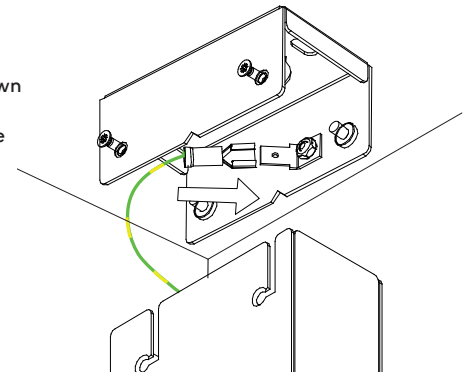


in case of gear inclusive

connect the mains voltage, only use single core cables
looping, placing different modules in parallel is possible with 3 pole connectors inside module



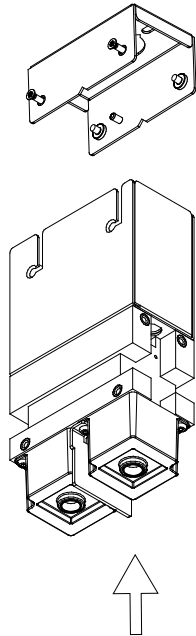
connect the second earthing cable to the earthing connector of the upper part



kreon prologe 40

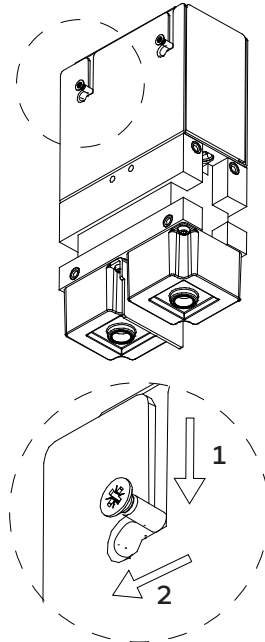
prologe 40 double installation

slide the luminaire over the installation plate, make sure all the cables are inside

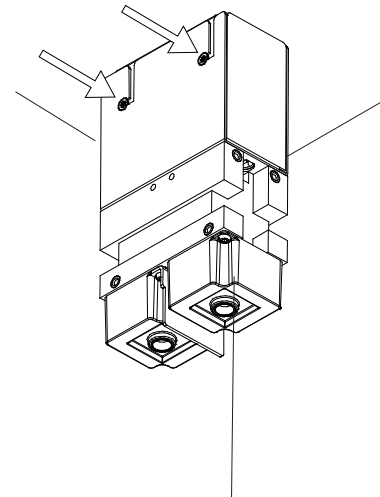


guide the screws through the opening of the luminaire.

first, push the luminaire upwards
second, slide the luminaire sideways

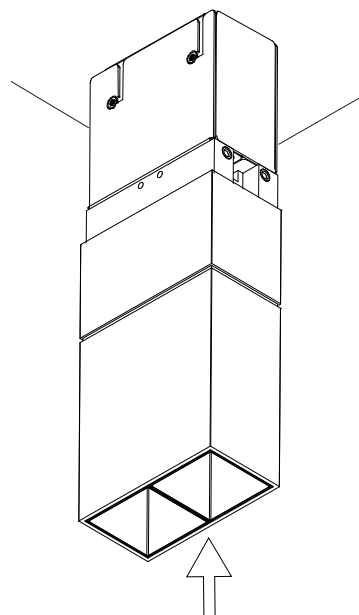


fix the luminaire with four screws to the installation part

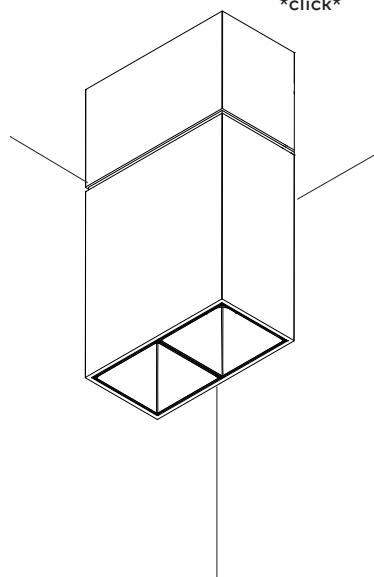


slide the cover over the luminaire until you hear a click

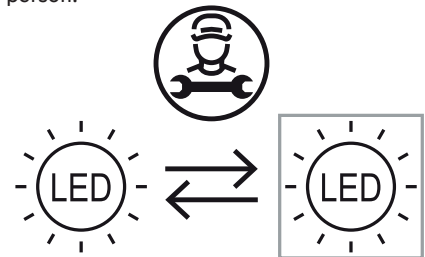
support the bottom side of the cover when sliding the cover over the luminaire



click

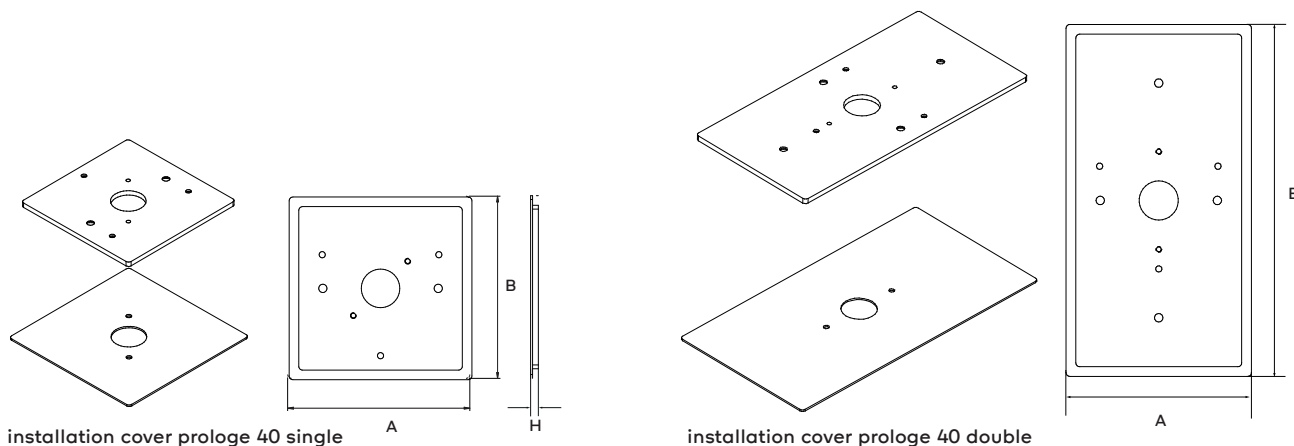


The light source contained in this luminaire shall only be replaced by the manufacturer or his service agent or a similar qualified person.



kreon prologe 40

Junction box cover installation

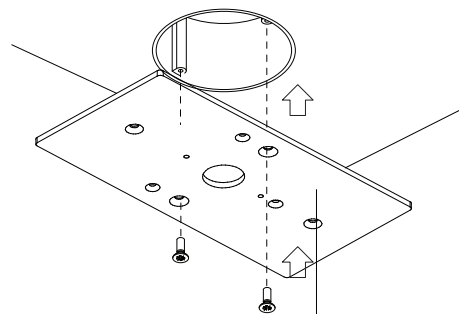
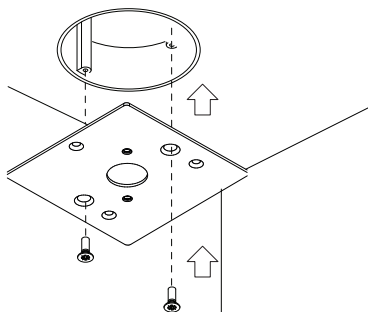


installation cover prologe 40 single

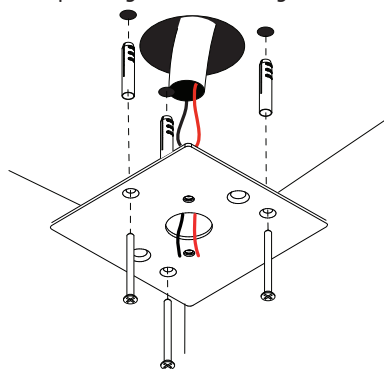
installation cover prologe 40 double

Style	Dimensions (AxBxH)
installation cover prologe 40 single	4 1/2" [114.3mm] x 4 1/2" [114.3mm] x 1/4" [5.8mm]
installation cover prologe 40 double	4 1/2" [114.3mm] x 7 3/8" [186.4mm] x 1/4" [5.8mm]

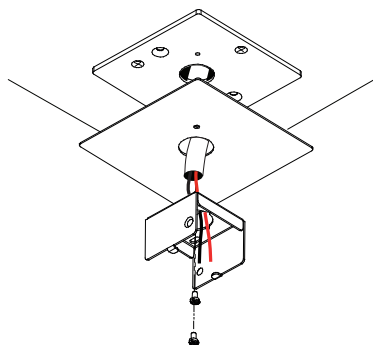
mount the installation plate with two countersunk screws on the junction box



pull the wires through the middle hole of the installation plate
fix the plate against the ceiling



fix the coverplate together with the installation part of the fixture (delivered with the fixture) and three screws against the installation plate

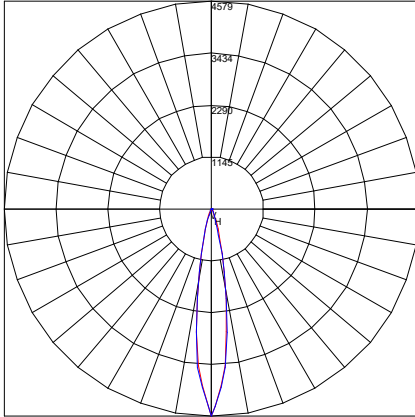


kreon prologe 40

Photometrics - Standard Beam Angles

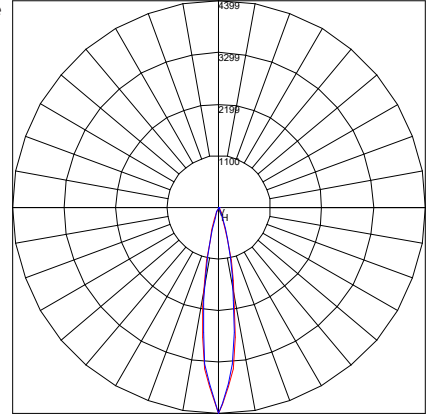
prologe 40 spot

Delivered Lumens: 547lm
 CCT: 2700k
 CRI: 90+
 Power: 8W
 Efficiency: 68.38lm/W



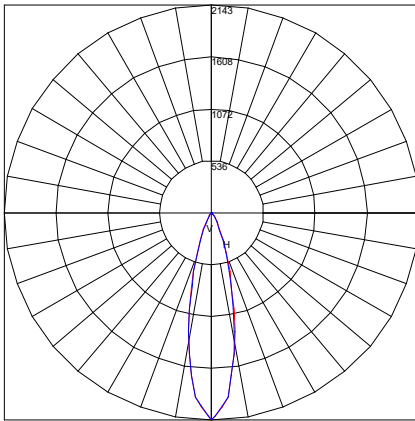
prologe 40 spot deep louvre

Delivered Lumens: 538lm
 CCT: 2700k
 CRI: 90+
 Power: 8W
 Efficiency: 67.25lm/W



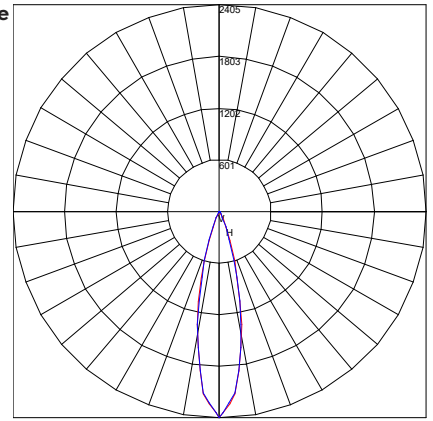
prologe 40 flood

Delivered Lumens: 541lm
 CCT: 2700k
 CRI: 90+
 Power: 8W
 Efficiency: 67.63lm/W



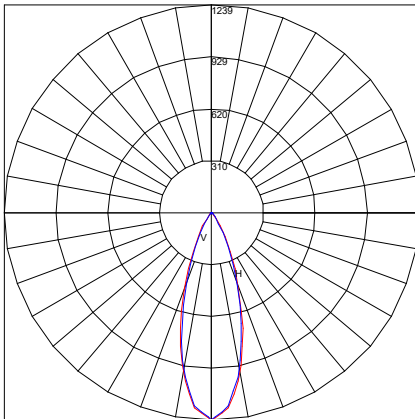
prologe 40 flood deep louvre

Delivered Lumens: 482lm
 CCT: 2700k
 CRI: 90+
 Power: 8W
 Efficiency: 60.25lm/W



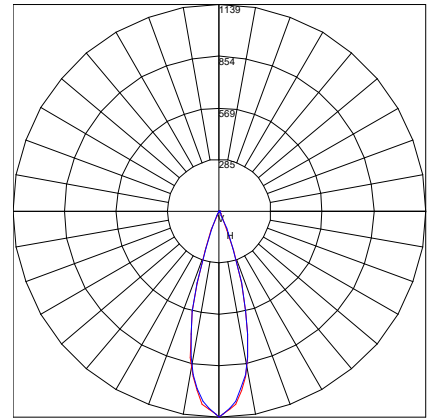
prologe 40 wide flood

Delivered Lumens: 505lm
 CCT: 2700k
 CRI: 90+
 Power: 8W
 Efficiency: 63.13lm/W



prologe 40 wide flood deep louvre

Delivered Lumens: 317lm
 CCT: 2700k
 CRI: 90+
 Power: 8W
 Efficiency: 39.63lm/W

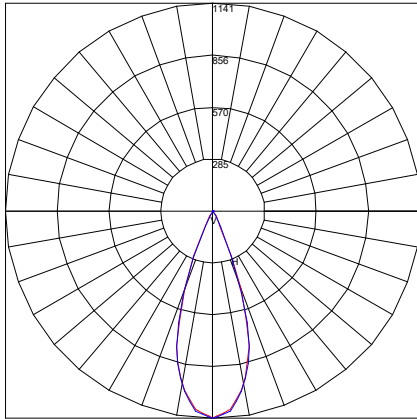


kreon prologe 40

Photometrics - Darklight Optics

prologe 40 darklight

Delivered Lumens: 377lm
CCT: 2700k
CRI: 90+
Power: 8W
Efficiency: 47.13lm/W



prologe 40 wide darklight

Delivered Lumens: 538lm
CCT: 2700k
CRI: 90+
Power: 8W
Efficiency: 67.25lm/W

