

# kreon onn

Date: \_\_\_\_\_ Specifier: \_\_\_\_\_

Project: \_\_\_\_\_

Type: \_\_\_\_\_ Qty: \_\_\_\_\_

onn 165



onn 300



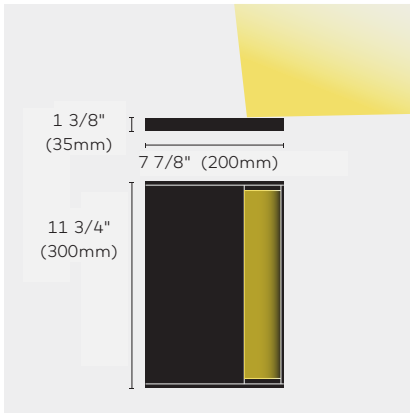
**KUONN-** \_\_\_\_\_ **27-** \_\_\_\_\_

kreon onn	size (width)	wall type	beam angle	CCT	CRI	finish	mounting	driver	intended voltage
<b>ONN -</b> Indirect wall mounted luminaire. Square aperture	<b>165 -</b> 6.5" (165mm)	<b>DW -</b> drywall/ sheetrock	<b>GEN1</b>  <b>NR - narrow beam</b> 165=8.6W 667 delivered lm	27 - 2700K	<b>GEN1</b>  <b>80 -</b> 80+ min CRI	<b>WHT -</b> White  <b>BLK -</b> Black	<b>DW -</b> Drywall  <b>OTW -</b> Other (will require white mounting plate)	<b>INTEGRAL:</b> <b>OF - On/Off</b> 120/277VAC <b>D1 - Triac Phase Dim</b> (10%); 120VAC only <b>D2 - 0-10V dim</b> (10%); 120/277VAC	<b>120 -</b> 120VAC  <b>277 -</b> 277VAC
	<b>300 -</b> 12" (300mm)	<b>NPW -</b> junction box cover plate, white. For non plaster surface. (See page 4 for mounting)  <b>NPB -</b> junction box cover plate, black. For non plaster surface. (See page 4 for mounting)	<b>GEN2</b>  <b>W - wide beam</b> 165=25W 1590 delivered lm  300=47W 3183 delivered lm						

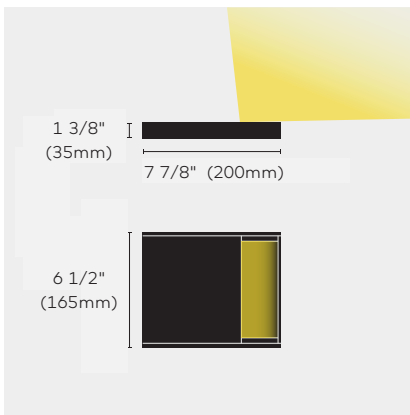
**Ordering Example: KUONN-165-W-27-90-WHT-D1-120**

\* Consult factory for other options <sup>1</sup> remote driver only

# kreon onn



kreon onn 300



kreon onn 165

The simple and archetypical volume of kreon onn-wall creates an indirect ambient lighting making it an ideal fixture for highlighting all types of ceilings. kreon onn wall mounted 165 and 300 comes in two beam options.

## Description

Narrow beam (Gen 1) using TIR technology (Total Internal Reflection) lens technology for a forward throw light distribution without on the wall hot spots.

Wide beam (Gen 2), The new Gen 2 with wide beam using faceted reflectors by Bartenbach Lichtlabor for a high output and evenly spread indirect light distribution.

## Mounting

wall mounted indirect lighting. Spackle over junction box canopy for trimless installation. material is aluminium, die-cast and surfact treatment is powdercoated. Lens clear

## Material

aluminium, die-cast. surface treatment is powdercoated. Clear lens glass cover.

## Finish

available in white or black. RAL available on request.

## Optical system / LED's

L80 greater than 50,000 hours. TIR Technology LED optics available for the Gen 1 option (narrow beam). Bartenbach LED optics available for the Gen 2 option (wide beam). Glass clear.

## Color temperatures / CRI

Available in 2700K. CRI80+ for Gen 1.  
Available in 2700k and CRI90+ with Gen 2.

## Controls / Dimming

Standard universal voltage 120V driver with on/off funtion. Optional 0-10v dimming or phase available.

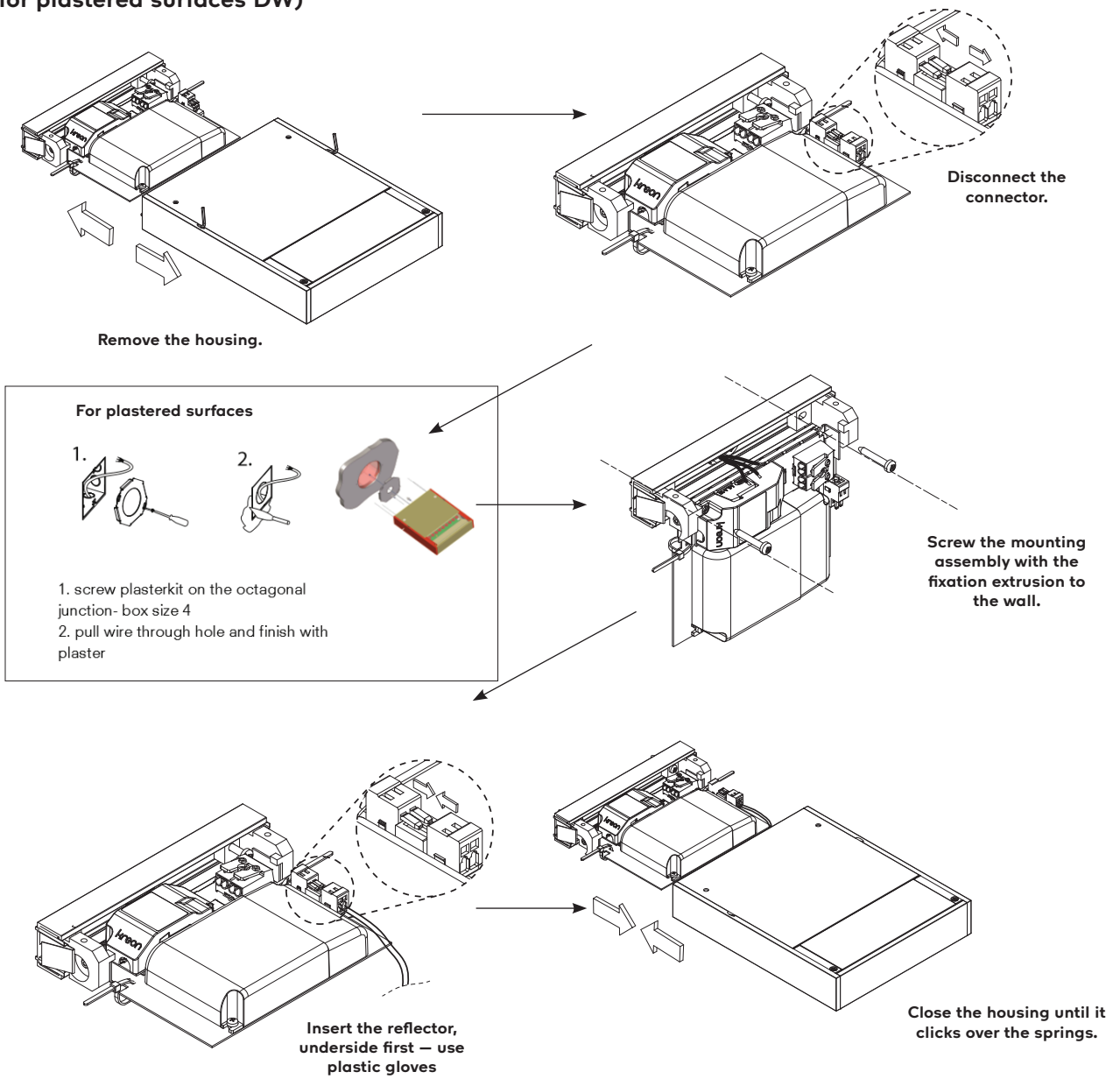
## ETL / UL

kreon onn is rated for indoor use only, in either a dry or damp location, ETL tested for installation in the US and Canada. Ingress Protection – IP40.

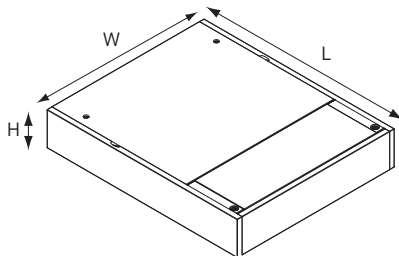


# kreon onn

## mounting (for plastered surfaces DW)



## dimensions



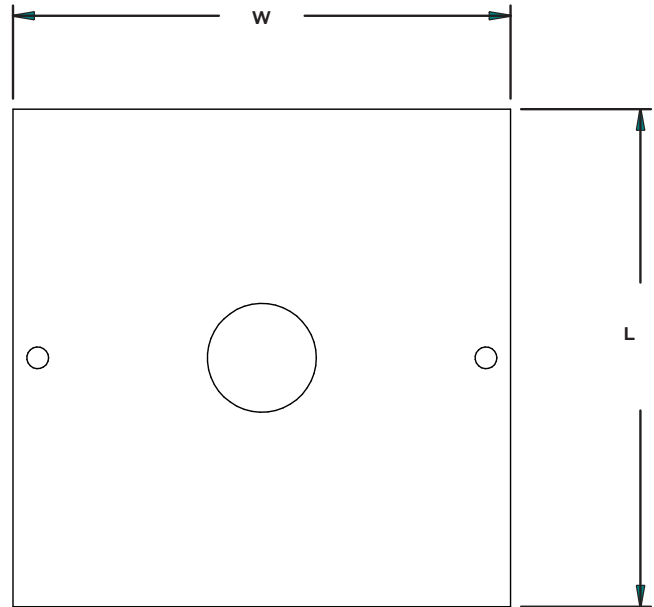
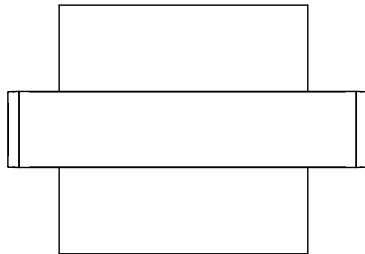
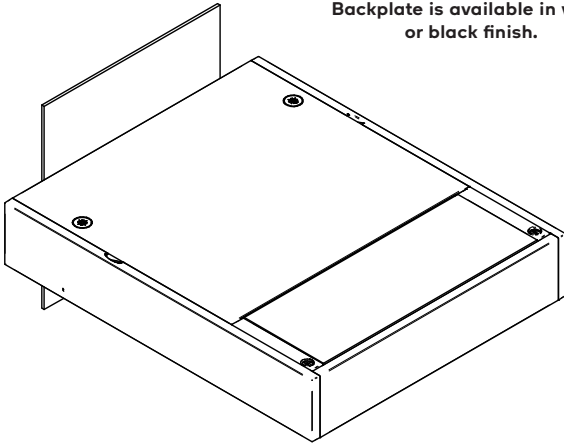
	W	L	H
<b>Onn-Wall 165</b>	6 <sup>1</sup> / <sub>2</sub> " (165)	7 <sup>7</sup> / <sub>8</sub> " (201)	1 <sup>3</sup> / <sub>8</sub> " (35)
<b>Onn-Wall 300</b>	11 <sup>13</sup> / <sub>15</sub> " (300)	7 <sup>7</sup> / <sub>8</sub> " (201)	1 <sup>3</sup> / <sub>8</sub> " (35)

# kreon onn

## Backplate (NPW/NPB)

mounting for non plaster surfaces. Available in white or black finishes.

Backplate is available in white or black finish.



	W	L
Onn backplate	4½" (127mm)	4½" (127mm)

# kreon onn (gen2)

## Gen2 optics



### optical

multi facet optics for asymmetric light distribution and an absolute uniformity in light to the indirect wall mount.

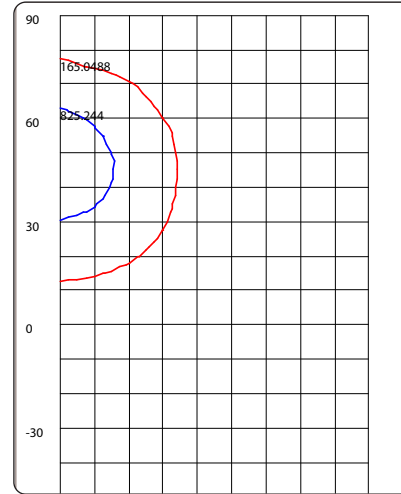
# kreon onn (gen1)

## Photometry

### onn 165 (narrow beam)



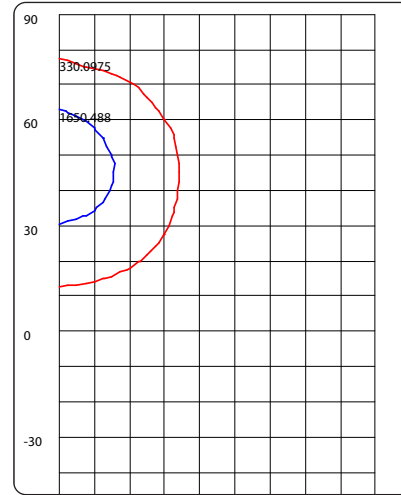
lumens CCT: 2700K  
CRI: 80+  
Power: 8.6W  
Delivered Lumens: 667lumens (77 lm/W)



### onn 300 (narrow beam)



lumens CCT: 2700K  
CRI: 80+  
Power: 17.2W  
Delivered Lumens: 1333lumens (77 lm/W)



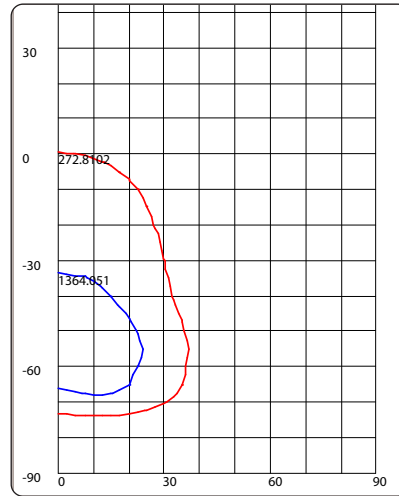
# kreon onn (gen2)

## Photometry

### onn 165 (wide beam)



lumens CCT: 2700K  
CRI: 90+  
Power: 25W  
Delivered lumens: 1590lumens (63 lm/W)



### onn 300 (wide beam)



lumens CCT: 2700K  
CRI: 90+  
Power: 47W  
Delivered lumens: 3183lumens (68 lm/W)

