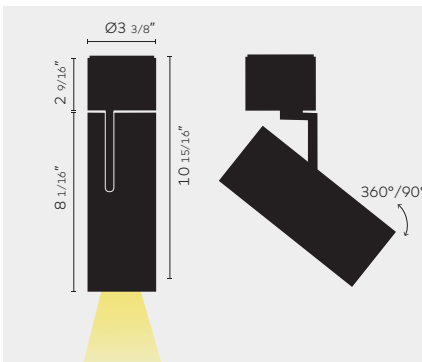
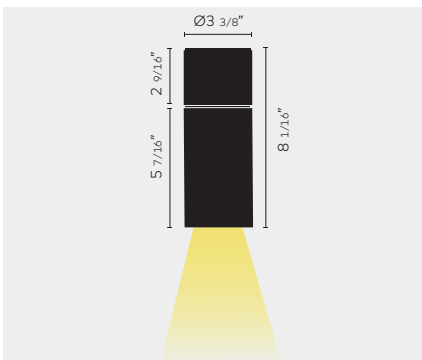


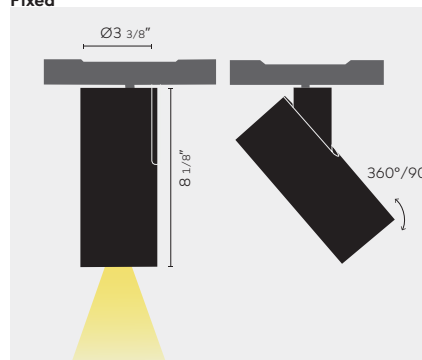
Directional Recessed



Directional Surface Mount



Fixed



On track

Description

Holon's timeless design enables this fitting to find application in a vast range of projects. The simple and yet strong geometrical form earns its place in residences, office lobbies, corridors, meeting rooms and other public areas.

Holon 80, the larger counterpart of Holon 40, is a product range of directional spotlights and downlights. Various options in LED colour temperature, beam angles, lenses and drivers are available to optimize the desired light effect for each project, either residential, commercial, or hospitality.

Holon 80 directional rotates 360° and tilts up to 90°. The hinge of Holon 80 directional is permanently tensioned, allowing the luminaire to remain at any angle, from 0° to 90°, while allowing effortless adjustment.

In addition to the directional spotlight, this product range comes with a second variety: Holon 80 fixed. This downlight is designed for rooms that embrace the language of form of this luminaire, but don't require an adjustable luminaire head. Holon 80 on track offers the opportunity to change light position.

Mounting

kreon holon 80 is a recessed, surface, pendant or track mounted spotlight with a fixed or directional rotational adjustment of 360° and an angular adjustment of 90°, which, when combined with the choice of spot, flood and wide flood TIR reflector, provides a truly versatile accent lighting tool. Suitable for installation on drywall, wood panel or grid ceilings with acoustic tiles.

Finish

The luminaires are available in black and white. RAL available on request, please consult factory

Optical system / LED's

L80 greater than 50,000 hours.

Color temperatures / CRI

2700K, 3000K, 3500K, 4000K. CRI 80 and CRI 98+

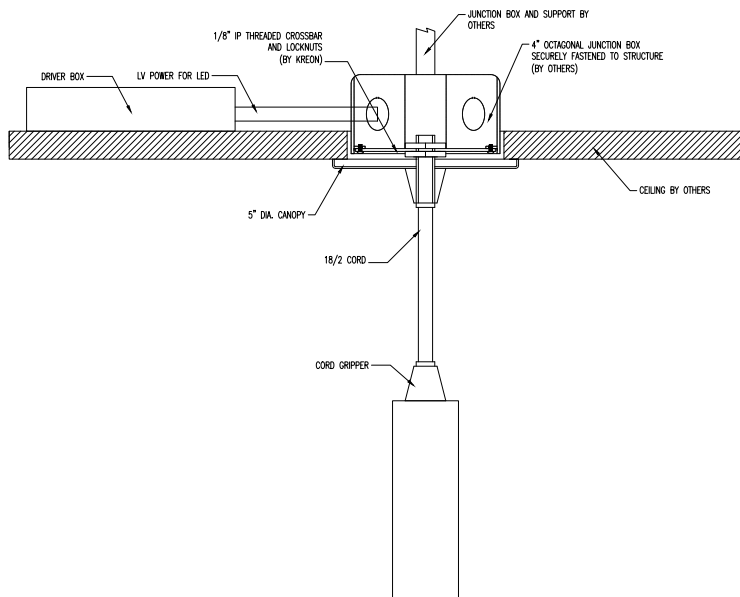
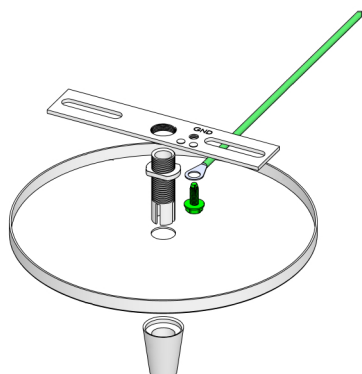
Controls / Dimming

0-10V dimming, Dali, Phase Dimming, and on/off

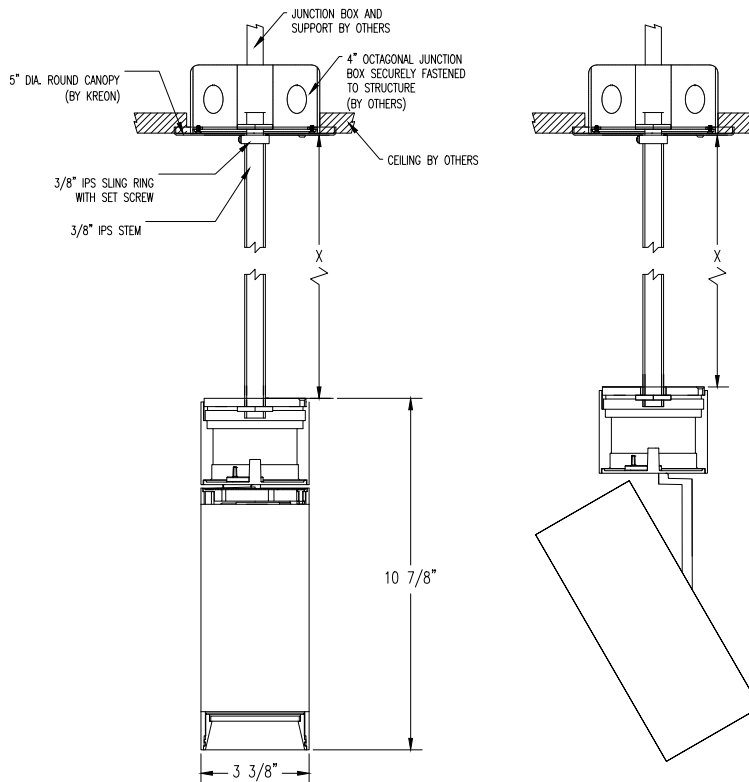
Ingress Protection – IP20.



Cable mounting

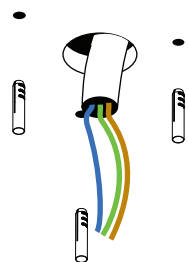


Stem mounting

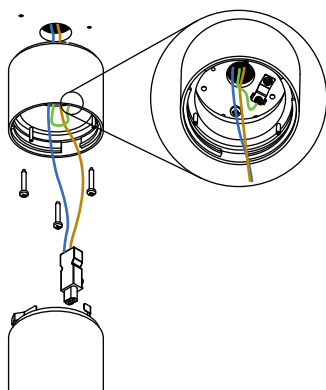


Fixed mounting

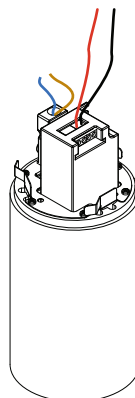
Fixed (driver inclusive, sheetrock ceiling)



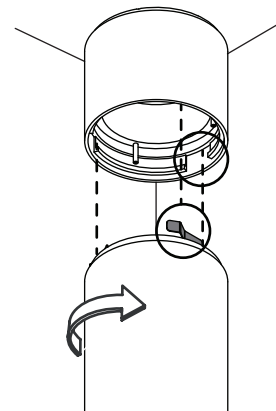
Insert the plugs in the holes, pull the connection cables through



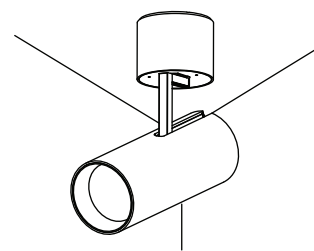
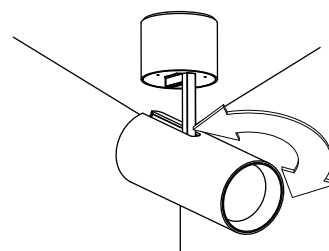
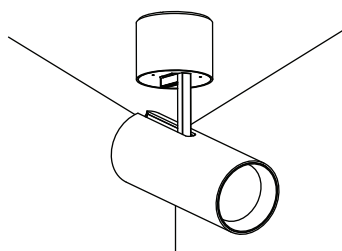
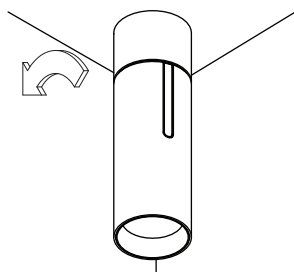
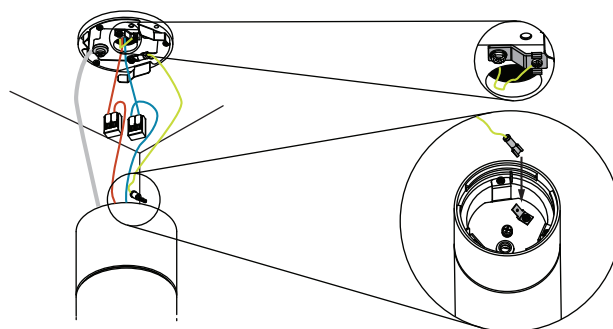
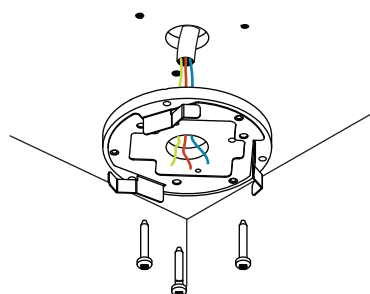
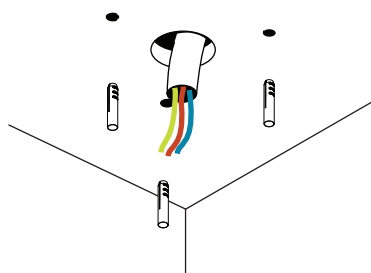
Fix the ceilingbox with three screws, connect the L & N to the 2P connector, connect the ground wire under the screw of the earthing bracket



In case of 1-10V: connect the violet and gray dimming wires directly to the gear. Mind the polarity

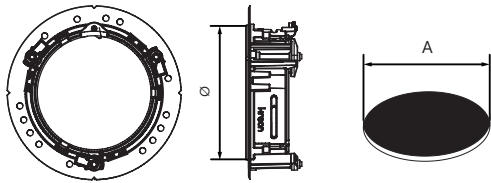


Match the springs with the cut-outs in the ceilingbox, fix the bottompart with a bayonet movement (clockwise)



Recessed mounting

Directional Recessed Mounted (remote driver, sheetrock ceiling)

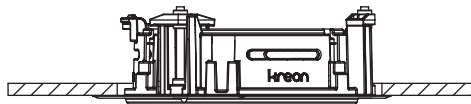
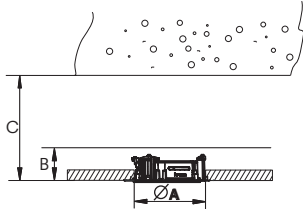


name	reference	visible Ø	cut out A	B*	C
Holon 80 plasterkit no shadow gap	KR717104	3.15"	Ø 4"	2.36"	**
Holon 80 plasterkit shadow gap	KR717108	3.4"	Ø 4"	2.36"	**

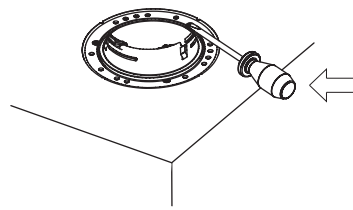
* installation depth B is in case the driver is placed at a distance, and accessible from another location.

** installation depth C is in case the driver has to be pushed through the plasterkit in order to be close to the fixture. The length of the driver determines C as it has to be pushed perpendicular through the plasterkit.

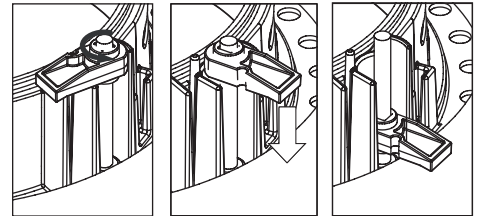
Depth = length of the driver + 1.18"
If the length of the driver is e.g. 4" then C = 5.18"



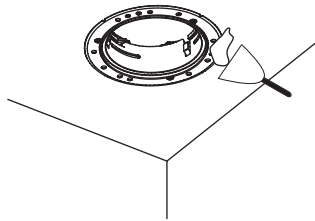
Put the plasterkit in the hole in the ceiling



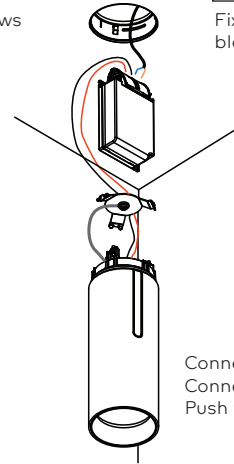
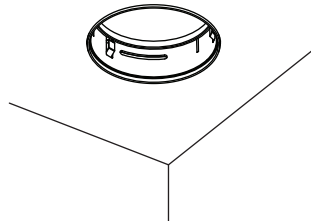
Fix the plasterkit with screws



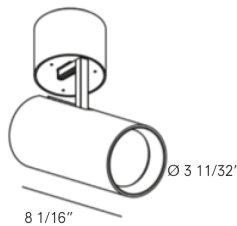
Fix the stoppers, until they are blocked against the ceiling



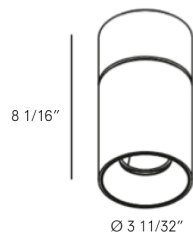
Fill around perimeter of plasterkit using suitable filler and plaster to hide screws and plasterkit.



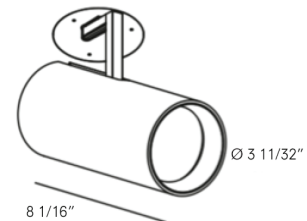
Connect the mains voltage to the gear.
Connect the cables coming from the fixture to the gear.
Push the gear through the plasterkit onto the ceiling.



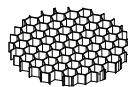
Holon 80 Directional Surface Mounted



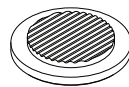
Holon 80 Fixed



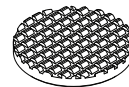
Holon 80 Directional Recessed Mounted



AG: Anti-Glare louver

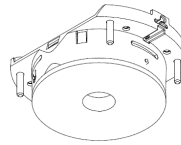
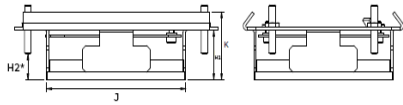
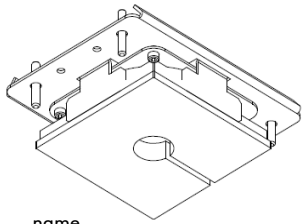


SL: Sculpture Lens

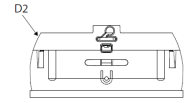
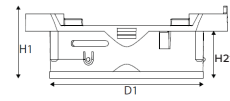


DL: Diffusing Lens

installation kit, 80 series, trimless for wood ceilings



H2* - Preset at factory. Adjustable for ceilings up to 1" thick. Specify ceiling thickness when ordering.

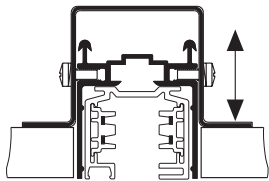
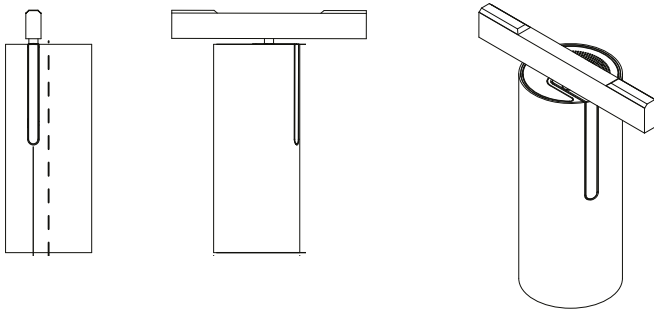


name	reference	JxH1	H2*	K
installation kit 80 trimless, back install	KR71710	85x25	25	34.8

name	reference	H1	H2*	D1	D2
installation kit, size 80, trimless finish	KR717100	38.2	25	82	82

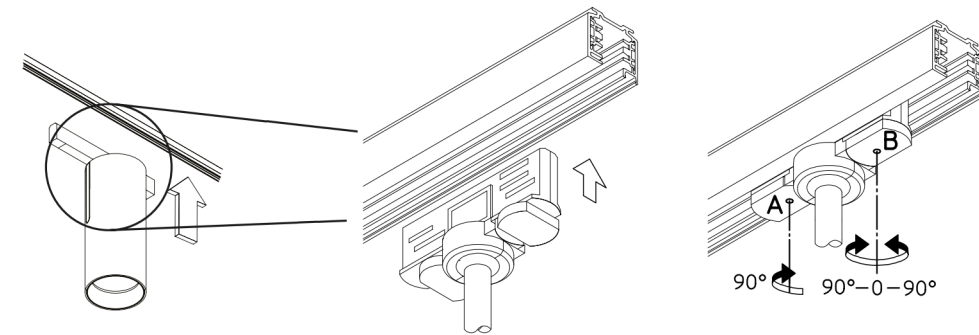
Ceiling thickness: Maximum 1" thickness

2 circuit track mounting

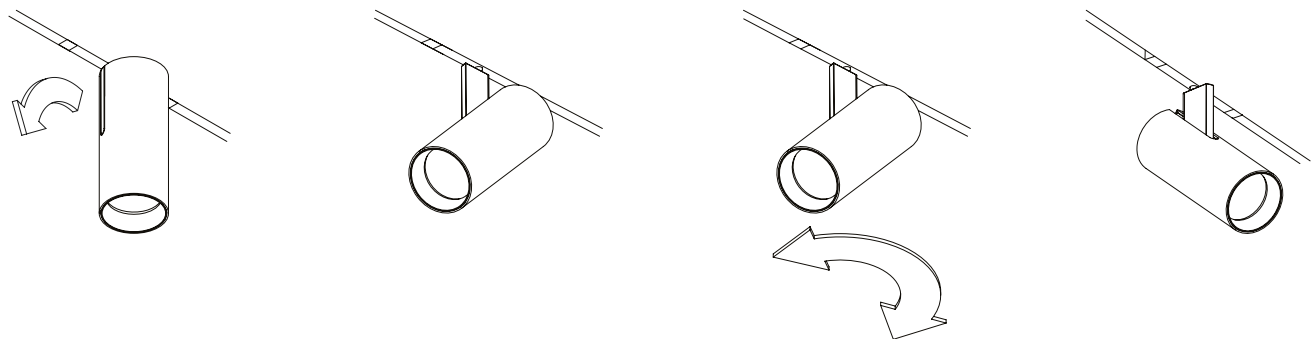


Product

Holon 80 2-circuit track mounting bracket for recessed profile



Rotation



Luminance combinations

Source lumens; for delivered lumens, please reference IES files on www.kreon.com

gear included

Lumen Package	Beam Angle	CRI	Watts	Delivered Lumens	LM/W
SO	SP	80	15.6	1067	68
SO	SP / FL / WFL	98	12.9	1127	87
MO	FL / WFL	80	15.2	1378	91
MO	SP / FL / WFL	90	17.1	1641	96

remote gear

Lumen Package	Beam Angle	CRI	Watts	Delivered Lumens	LM/W
HO	SP / FL / WFL	80	25.7	2415	94
HO	SP / FL / WFL	90	25.7	2415	94
MO	SP / FL / WFL	98	20	1610	80

Color rendering

Color Rendering Index (3000K Typical), 80+ CRI

	Ra	R1	R2	R3	R4	R5	R6	R7	R8	R9	R10	R11	R12	R13	R14	R15
Standard Series	83	82	89	95	84	82	87	86	65	16	64	79	58	81	93	75

Color Rendering Index (3000K Typical), 98+ CRI

	Ra	R1	R2	R3	R4	R5	R6	R7	R8	R9	R10	R11	R12	R13	R14	R15
Artists Series	98	98	99	98	98	98	97	98	98	98	99	98	88	98	98	98

RM – Gearbox Sizes for Remote Drivers

Control Selection	Driver	IC Box Dimensions
SW	On-Off	7"x2.375"x1.5" (LxWxH)
D1	Triac Phase Dimming (10%)	7"x2.375"x1.5" (LxWxH)
D2	0-10V Dimming (10%)	16.5"x2.48"x1.97" (LxWxH)
D2-LD	0-10V Dimming (1%)	16.5"x2.48"x1.97" (LxWxH)
D3-3	Lutron 3-Wire Dimming (1%)	19"x2.48"x1.97" (LxWxH)
D4	EldoLED dim to dark (0%)	16.5"x2.48"x1.97" (LxWxH)

Photometry

holon 80 directional recessed spot



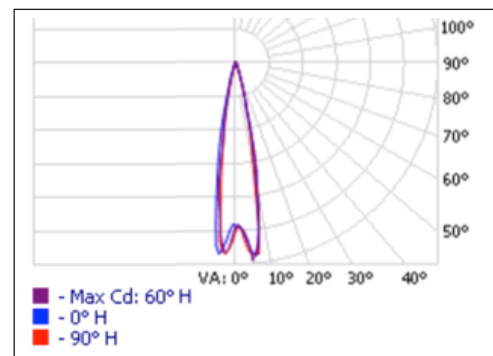
KUHOL-80-DRR-DW-SP-27-SO-80
(no accessories)

CCT: 2700K

CRI: 80+

Power: 15.6W

Luminaire Output: 1067 delivered lumens
(68 lm/W)



holon 80 directional recessed flood



KUHOL-80-DRR-DW-FL-27-MO-80
(no accessories)

CCT: 2700K

CRI: 80+

Power: 15.2W

Luminaire Output: 1378 delivered lumens
(91 lm/W)

