

Date: _____ Specifier: _____

Project: _____

Type: _____ Qty: _____

Directional recessed



Directional surface mount



Fixed



Pendant



directional surface book



Gear box w/ single directional



Gear box w/ double directional



KUHOL40- _____ - _____ - _____ - _____ - _____ - _____ - _____ - _____ - _____

kreon holon 40 ¹	mounting	fixture finish	beam angle	ceiling type	CCT	CRI	dimming	accessories
HOL40D Holon 40 Directional	RR recessed mount	WH White	SP Spot 20° 564lm delivered	DW Drywall	27 2700K	90 CRI90+	D1⁷ - Phase dim (10%); 120VAC	DL diffusing lens
HOL40F Holon 40 Fixed	SF surface mount	BLK Black	FL Flood 30° 558lm delivered	WO Wood panel	30 3000K		D2 - 0-10V dim (10%); 120/277VAC	AG anti-glare louver
HOL40B² Holon 40 Directional Book	ST³ stem mount		WFL Wide flood 40° 494lm delivered	GR Grid ceiling	35⁶ 3500K		D2LD - 0-10V Dimming (1%); 120/277VAC	Choice for pendant/stem versions only
HOL40T Directional w/ 48V magnetic track mount (see 48V track spec)	CA Pendant mount cable		NEW LFO Optics				D3 -3- Lutron Hi-Lume Dim to 1% for 3-wire; 120/277VAC	P1 painted white louver
	Mounting for fixed versions only		DL Dark light 38° 413lm delivered				D3-ECO- Lutron SoftOn/Fade to Black EcoSystem dimming (1%) 120/277V	P2 painted black louver
	Mounting for directional versions only		WDL Wide dark light 76° 426lm delivered				D4- EldoLED 0-10V dim to dark (0%); 120/277VAC	A5 Red copper louver
	GBS⁴ Gear box w/ single directional		**black louver finish only**					Required for pendant cable only (PECF)
	GBD⁵ Gear box w/ double directional							CJC cable mount over junction box
	Gearbox versions are surface mount and not for use with junction box							CPL cable mount with recessed plasterkit
								CSF cable mount with surface mount

Ordering Example: HOL-40-DSB-WH-DL-DW-SO-27-90-D2-DL

¹ Suitable for installation in ceiling thickness between 3/8" to 1".

² book is a wall-mounted variation with a reinforced arm for intensive use

³ Stems are made to order and are not field cuttable.

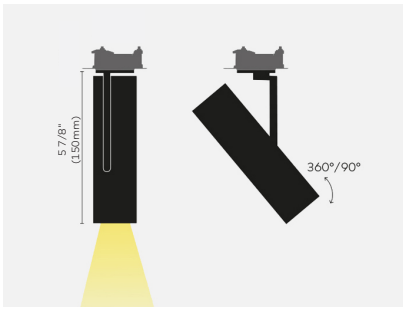
⁴ Gearbox single only compatible with D1 integral dimming.

⁵ Gearbox double compatible with any integral dimming protocol.

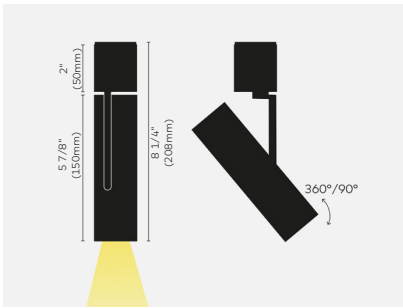
⁶ Not available with Book Version (HOL40B) or LFO optics (DL & WDL)

⁷ CEC and JAB compliant

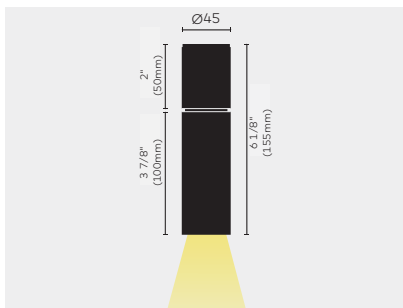




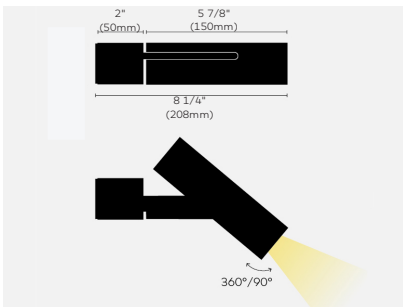
Directional Recessed



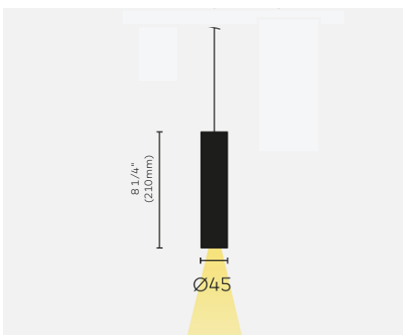
Directional Surface Mount



Fixed



Directional Book (new! with reinforced arm)



Pendant

Description

kreon holon directional is a recessed, surface or track mounted spotlight with a rotational adjustment of 360° and an angular adjustment of 90°, which, when combined with the choice of spot, flood and wide flood TIR reflector, provides a truly versatile accent lighting tool. The new directional book is designed with a more robust arm, for wall mounting where consistent repositioning is common.

kreon holon fixed is the perfect solution for general lighting and features a flood beam mirror reflector set above the black or white internal louvre, optimised to create pools of light on horizontal surfaces or dramatic scalloping effects on verticals.

Mounting

kreon holon 40 is a recessed, surface, pendant or track mounted spotlight with a fixed or directional rotational adjustment of 360° and an angular adjustment of 90°, which when combined with the choice of spot, flood, wide flood, darklight or wide darklight reflector, provides a truly versatile general or accent lighting tool. Use kreon holon fixed for to create pools or accents of light. kreon holon 40 book is a wall-mounted variation with a reinforced arm for intensive use. Suitable for installation on drywall, wood panel or grid ceilings with acoustic tiles.

Finish

The luminaires are available in black and white. Pendant version only has a choice of white, black or red satin copper louver finish. RAL available on request, please consult factory

Optical system / LED's

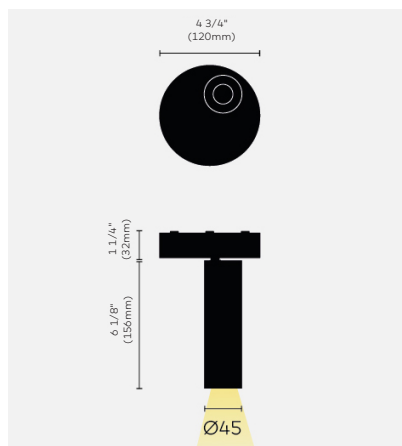
L80 greater than 50,000 hours.

Color temperatures / CRI

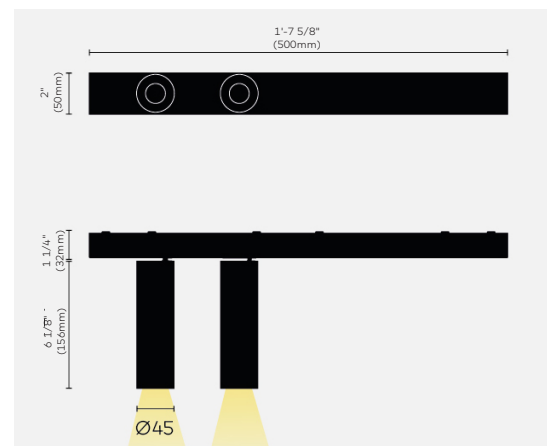
2700K, 3000K, 3500K | CRI 90+

Controls / Dimming

0-10V dimming, Dali, Phase Dimming, and on/off



Gear box w/ single directional

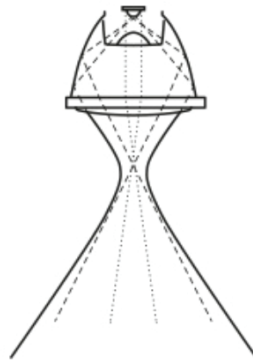


Gear box w/ double directional



NEW Double Focus

kreon holon is a range of cylindrical luminaires characterised by its compact form and deep set LED position, providing a subtle feeling of light without the uncomfortable sight of light. kreon holon 40 can provide a discreet yet functional solution to general or accent lighting within architecture. Finished in black for a dramatic ceiling contrast or pure white for a harmonious integration. kreon holon 40 is now available with a new double focus lens in combination with a dark light louver for a higher visual comfort



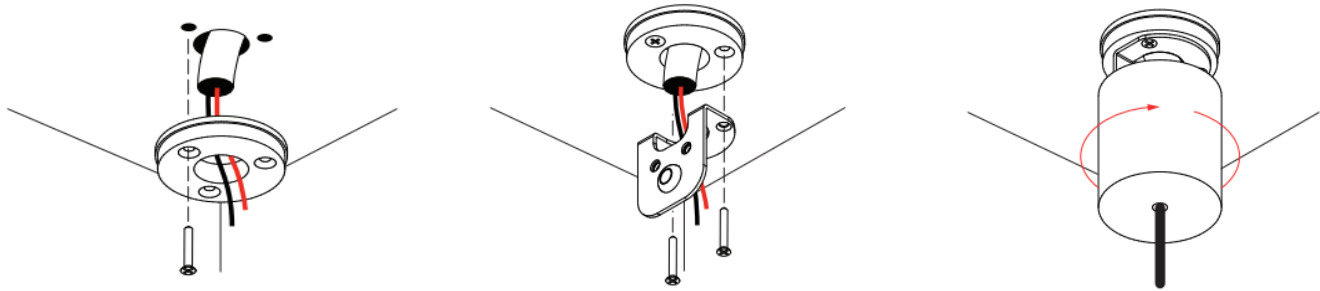
New LFO optic benefits:

- focal lens by Bartenbach Lichtlabor
- small size aperture of 8mm
- provides invisible light
- efficiency up to 65%
- beam angles: darklight 38deg.
and wide darklight 76 deg.
- higher visual comfort
- IP40

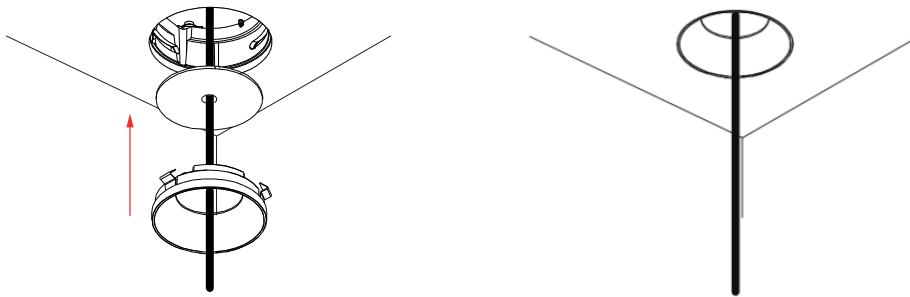
Pendant mount

available in (3) louver finishes -
black, white or red copper

Cable mount with surface moun
[CSF]

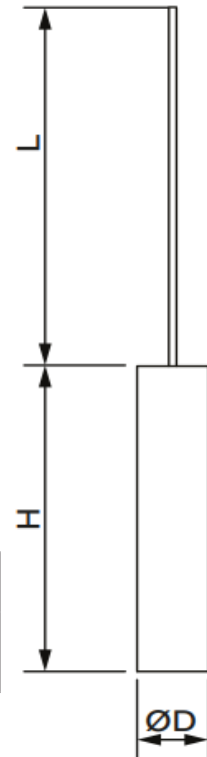
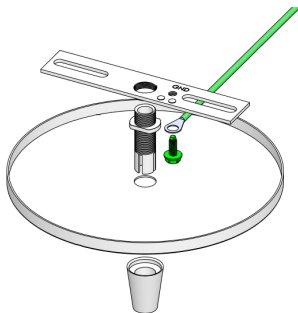


Optional holon pendant recessed plasterkit
[CPL]



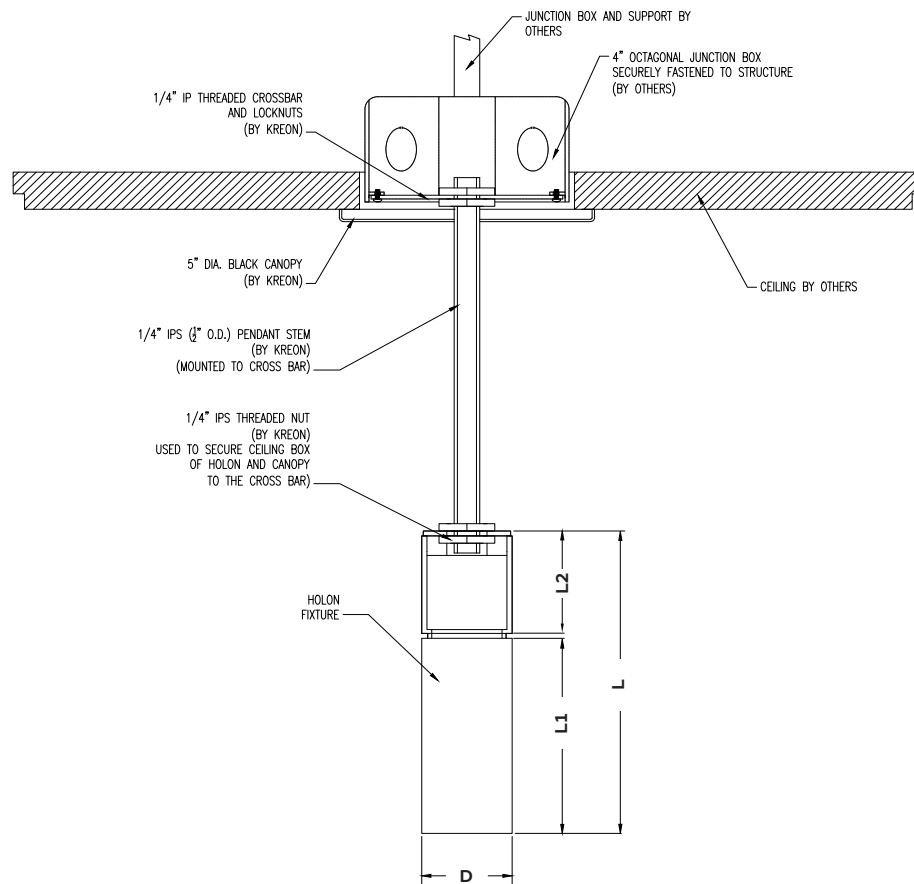
insert cover and louver in the plasterkit. Align the three springs with the slots and click the louver in the plasterkit. Cable always available in black only.

Cable mounting over 4" Octagonal junction box
[CJC]



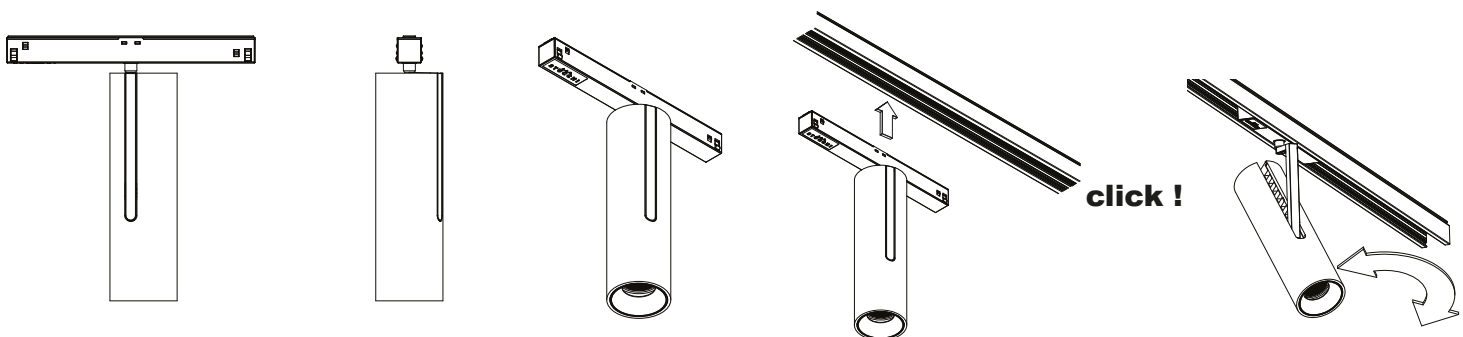
name	Ø D / H	L
PECF	1 ¾" (45mm) x 8 ¼" (210mm)	9ft 10" (3000mm) field adjust.

Stem mounting

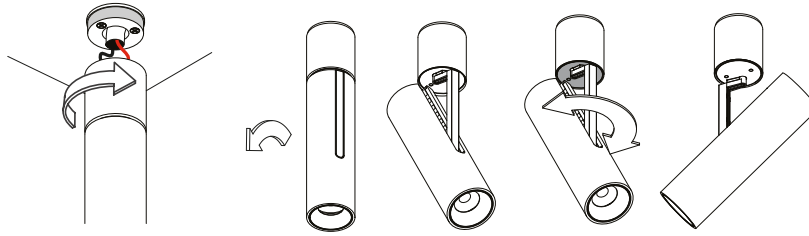
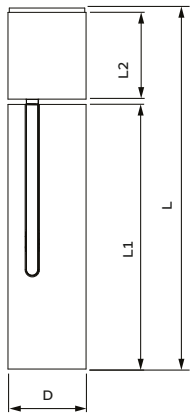


name	LxD	L1	L2
ST	6 1/8" (208mm) x 1 3/4" (45mm)	6" (152.5mm)	1 1/8" (30.16mm)

On-track mounting (see 48v magnetic track spec sheet)



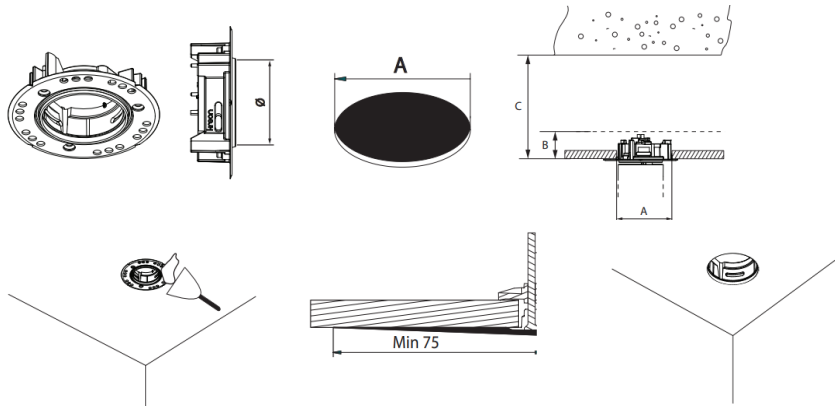
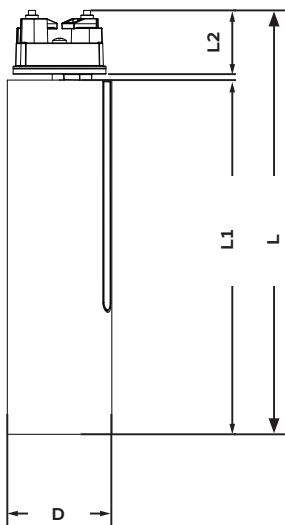
directional surface mounting



name	LxD	L1	L2
DSF, DSB	8 1/4" (208mm) x 1 3/4" (45mm)	6" (152.5mm)	2" (50mm)

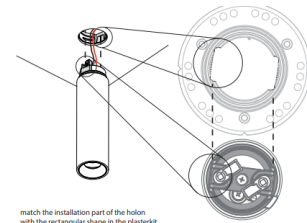
directional recessed mounting (DRR DRB)

(shown in sheetrock below)

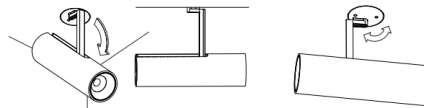


fill around perimeter of plasterkit using suitable filler and plaster to hide screws and plasterkit.

minimum filler distance, spread out until zero.

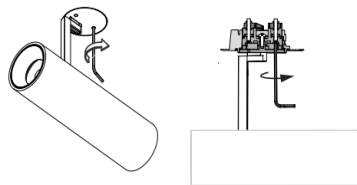


match the installation part of the holon with the rectangular shape in the plasterkit

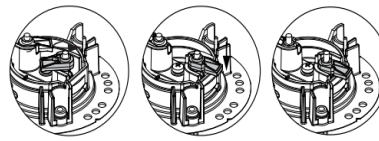


inclinate the tube by pulling it, to make space to reach the screw holes

rotate the fixture until the holes in the plate match the position of the screws in the installation part



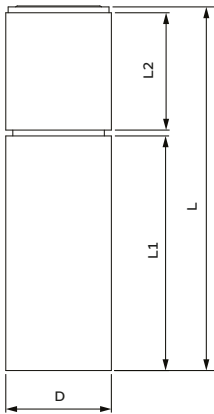
fix the complete fixture by turning the screws



assembly principle

name	LxD	L1	L2
DRR, DRB	7 1/16" (208mm) x 1 3/4" (45mm)	6" (152.5mm)	1 1/16" (30.16mm)

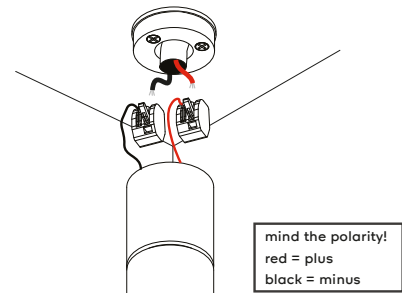
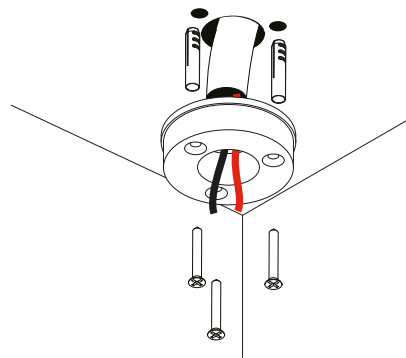
fixed mounting (FX)



name	LxD	L1	L2
FX	6 1/8" (155mm) x 1 3/4" (Ø45mm)	3 7/8" (100.5mm)	2" (50mm)

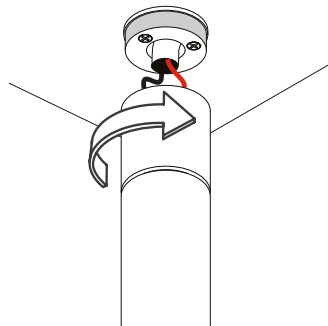
pull the connection cables through the hole in the middle of the installation part and mount it against the ceiling

connect the wires to the connectors included in the fixture. Add the red wire to the connector with the red wire coming from the LED, add the black wire to the connector with the black wire coming from the LED

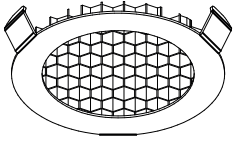


mind the polarity!
red = plus
black = minus

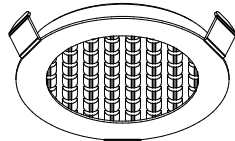
fix the rest of the fixture by screwing it onto the installation part



Accessories

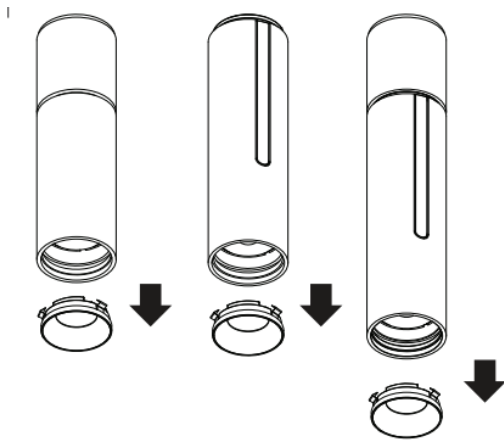


antiglare louver

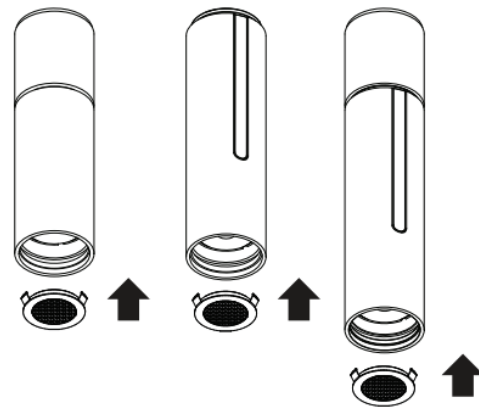


diffusing lens

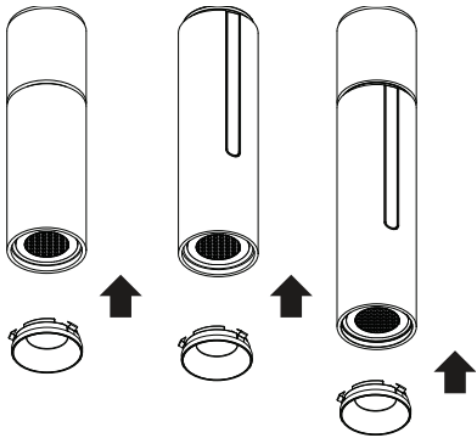
Install



remove louver



push accessory inwards



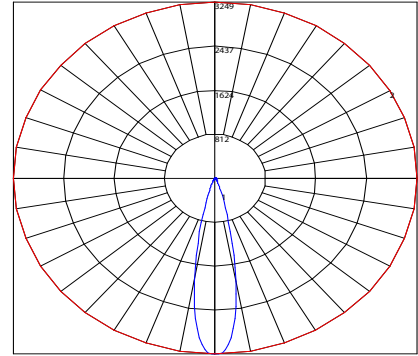
replace louver

Photometry

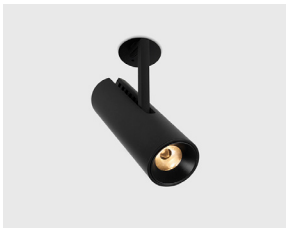
holon 40 spot



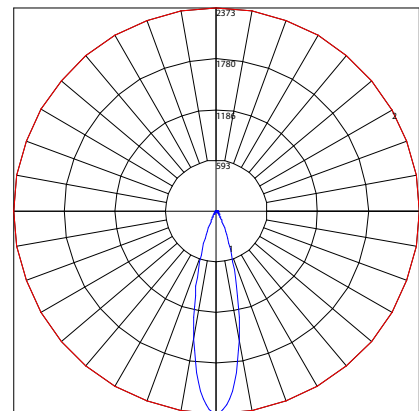
CCT: 2700K
CRI: 90+
Power: 9W
Luminaire Output: 564 lumens (62 lm/W)



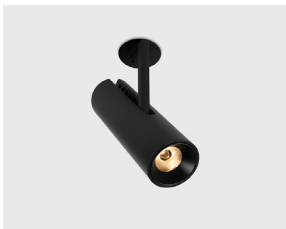
holon 40 flood



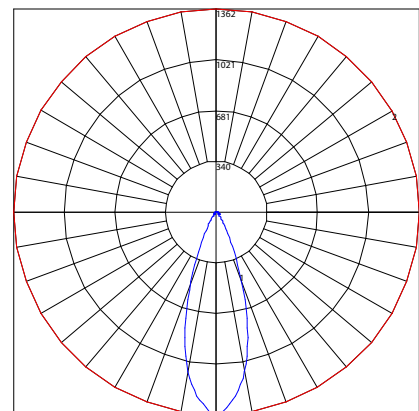
CCT: 2700K
CRI: 90+
Power: 9W
Luminaire Output: 558 lumens (62 lm/W)



holon 40 wide flood



CCT: 2700K
CRI: 90+
Power: 9W
Luminaire Output: 494 lumens (55 lm/W)

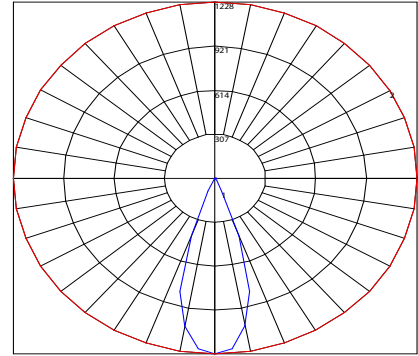


Photometry

holon 40 dark light (NEW LFO optics)



lumens CCT: 2700K
CRI: 90+
Power: 9W
Luminaire Output: 413 lumens (45 lm/W)



holon 40 wide dark light (NEW LFO optics)



lumens CCT: 2700K
CRI: 90+
Power: 9W
Luminaire Output: 426 lumens (47 lm/W)

