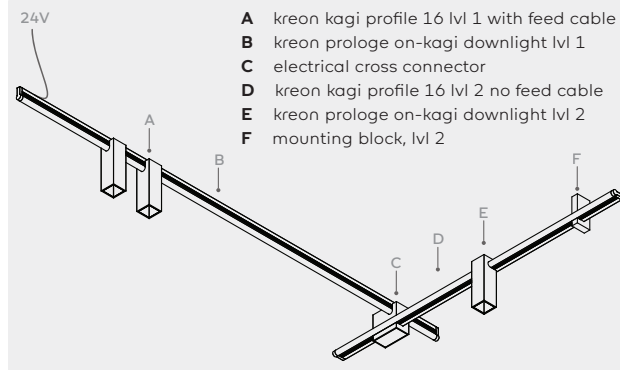


Date: _____ Customer: _____

Project: _____

Type: _____ Qty: _____



kreon kagi is an innovative and extremely versatile modular profile system combining linear and accent lighting.

The basic 24V profile surface mount can optionally be equipped with 16mm or 26mm diameter satinated continuous light tubes for a sustained soft light distribution. An ingenious junction allows a perpendicular, 90° tilted second level connection of the 24V profile.

Round or square shaped spotlights, deco lights and wallwashers can be added by clamping them on the main profiles. It is possible to change the position of the spotlights over the track. kreon kagi is an essential tool for architects and lighting designers that can be used as a graphic play of light or guide light.



kagi 16 surface mounted, level 1



kagi 26 surface mounted, level 1



kagi blind surface mounted, level 1



holon 40 on-kagi wallwasher, level 2, black



prologe 40 on-kagi fixed, level 1, white






holon 40 stone on-kagi, wall mounted

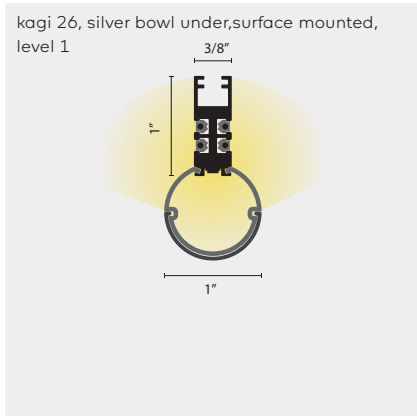
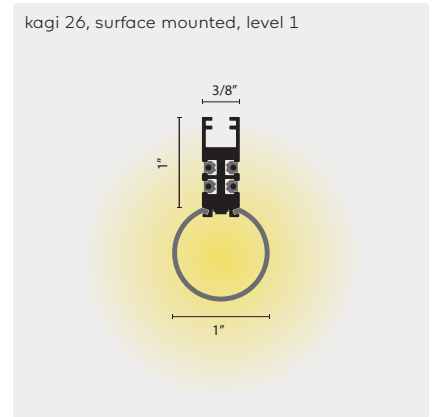
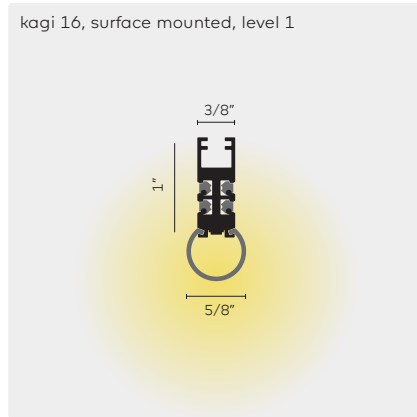
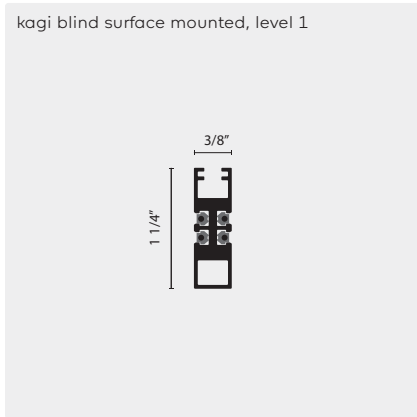


holon 40 on-kagi directional, level 1, black

Profile level 1







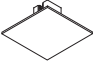

****All level 1 profiles are provided with a 2-circuit feed cable****

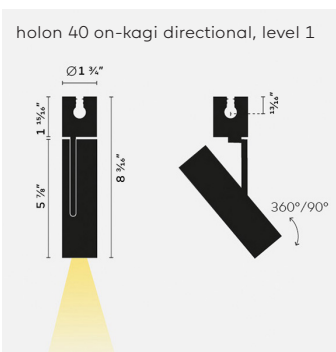
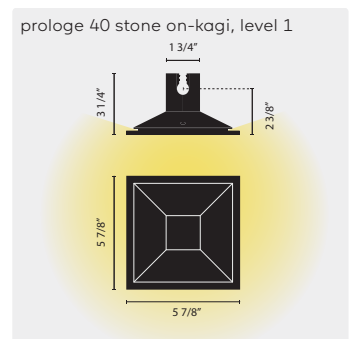
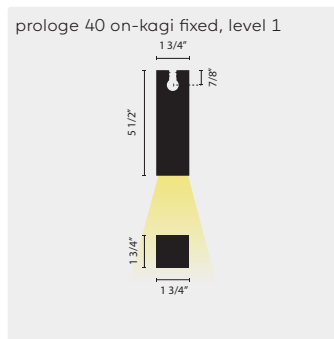
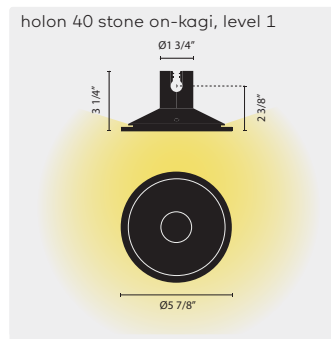
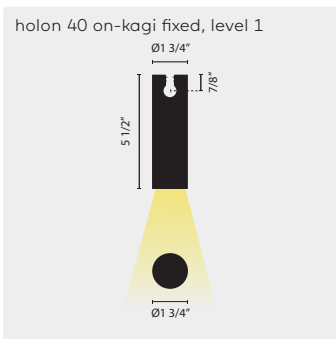
	Colour	Order code	9027 2700K, CRI90+	9030 3000K, CRI90+	DIF diffuser	SBU silver bowl under	XS L = 1'-9"	S L = 3'-4 5/8"	M L = 5'-0 1/4"	L L = 6'-8"	XL L = 9'-11 3/8"
 kagi blind surface mounted, level 1 Gear: excl. input voltage: 24Vdc	●	<u>KR954902</u>					●	●	●	●	●
 kagi 16 surface mounted, level 1 Gear: excl. input voltage: 24Vdc	●	<u>KR954502</u>	●	●	●		●	●	●	●	●
 kagi 26 surface mounted, level 1 Gear: excl. input voltage: 24Vdc Additional luminaires or cross connectors can't be added to kagi 26	●	<u>KR954602</u>	●	●	●		●	●	●	●	●
			●	●		●	●	●	●	●	●



	CRI	CCT	Voltage	Wattage	Fixture lumen
kagi 16	CRI90+	2700K/3000K	24Vdc	3.75W/ft	246lm/ft
kagi 26	CRI90+	2700K/3000K	24Vdc	3.75W/ft	266lm/ft
kagi 26	SBU CRI90+	2700K/3000K	24Vdc	3.75W/ft	62lm/ft

Module level 1




	Colour	KR-code	9027 2700K, CRI90+	9030 3000K, CRI90+	SP spot (15°)	FL flood (30°)	DIM dimming
 holon 40 on-kagi directional, level 1	○	<u>KR954541</u>	●	●	●	●	●
	●	<u>KR954542</u>	●	●	●	●	●
 holon 40 on-kagi fixed, level 1	○	<u>KR954521</u>	●	●	●	●	●
	●	<u>KR954522</u>	●	●	●	●	●
 holon 40 on-kagi wallwasher, level 1	○	<u>KR954561</u>	●	●			●
	●	<u>KR954562</u>	●	●			●
 holon 40 stone on-kagi, level 1 alabaster finish	●	<u>KR954582</u>	●	●			●
 prologe 40 on-kagi fixed, level 1	○	<u>KR954021</u>	●	●	●	●	●
	●	<u>KR954022</u>	●	●	●	●	●
 prologe 40 on-kagi wallwasher, level 1	○	<u>KR954061</u>	●	●			●
	●	<u>KR954062</u>	●	●			●
 prologe 40 stone on-kagi, level 1  alabaster finish	●	<u>KR954082</u>	●	●			●

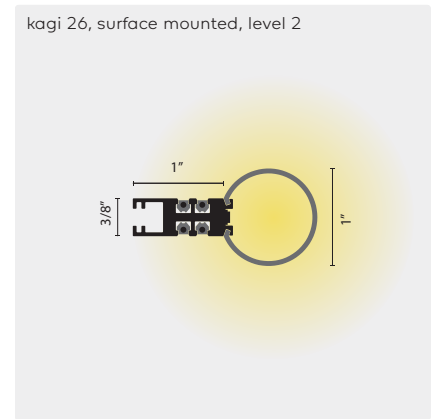
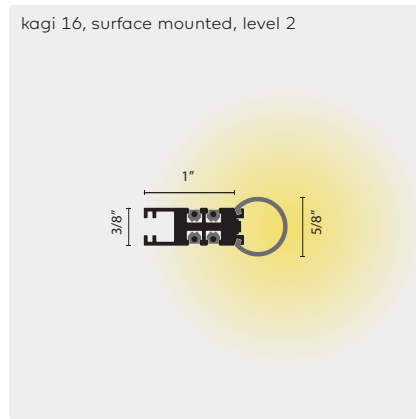
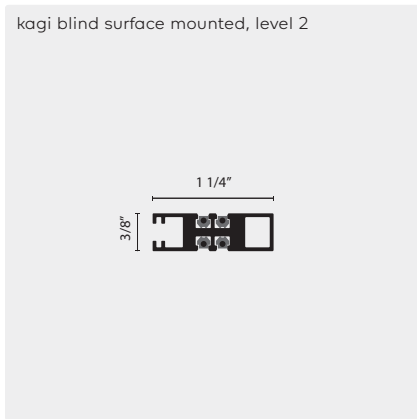


	CRI	CCT	Voltage	Wattage	Fixture lumen
fixed	CRI90+	2700K/3000K	24Vdc	9,8W	465lm
wallwash	CRI90+	2700K/3000K	24Vdc	5,2W	279lm
stone	CRI90+	2700K/3000K	24Vdc	9,8W	159lm

Profile level 2






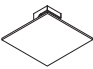
****level 2 profiles are only compatible with ceiling mounted profiles, level 2 cannot be combined with wall applications****

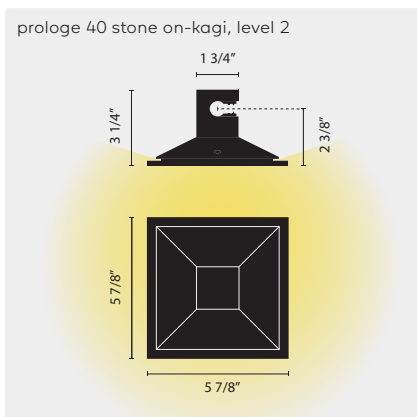
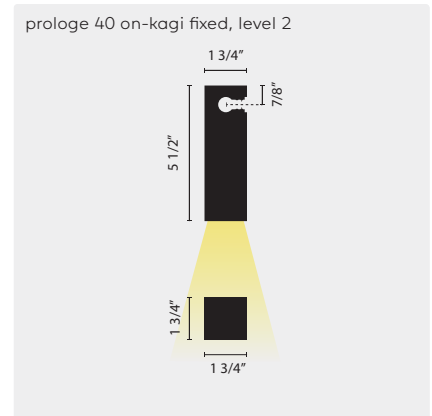
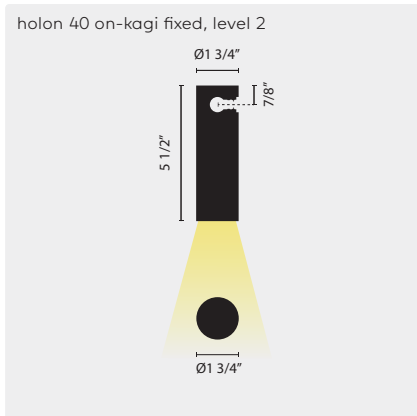
	Colour	Order code	9027 2700K, CRI90+	9030 3000K, CRI90+	DIF diffuser	XS L = 1'-9"	S L = 3'-4, 5/8"	M L = 5'-0 1/4"	L L = 6'-8"	XL L = 9'-11 3/8"
 kagi blind, level 2 Gear: excl. input voltage: 24Vdc	●	<u>KR954412</u>				●	●	●	●	●
 kagi 16, level 2 Gear: excl. input voltage: 24Vdc	●	<u>KR954012</u>	●	●	●	●	●	●	●	●
 kagi 26, level 2 Gear: excl. input voltage: 24Vdc No additional fixtures possible	●	<u>KR954112</u>	●	●	●	●	●	●	●	●



	CRI	CCT	Voltage	Wattage	Fixture lumen
kagi 16	CRI90+	2700K/3000K	24Vdc	3.75W/ft	246lm/ft
kagi 26	CRI90+	2700K/3000K	24Vdc	3.75W/ft	266lm/ft

Module level 2

	Colour	KR-code	9027 2700K, CRI90+	9030 3000K, CRI90+	SP spot (15°)	FL flood (30°)	DIM dimmiabie
 holon 40 on-kagi fixed, level 2	○	KR954531	●	●	●	●	●
	●	KR954532	●	●	●	●	●
 holon 40 on-kagi wallwasher, level 2	○	KR954571	●	●			●
	●	KR954572	●	●			●
 holon 40 stone on-kagi, level 2 alabaster finish	●	KR954592	●	●			●
 prologe 40 on-kagi fixed, level 2	○	KR954031	●	●	●	●	●
	●	KR954032	●	●	●	●	●
 prologe 40 on-kagi wallwasher, level 2	○	KR954071	●	●			●
	●	KR954072	●	●			●
 prologe 40 stone on-kagi, level 2 alabaster finish	●	KR954092	●	●			●



	CRI	CCT	Voltage	Wattage	Fixture lumen
fixed	CRI90+	2700K/3000K	24Vdc	9,8W	465lm
wallwash	CRI90+	2700K/3000K	24Vdc	5,2W	279lm
stone	CRI90+	2700K/3000K	24Vdc	9,8W	159lm

max. load per circuit (independent of the length of the profile): 84W

Accessories

Required accessories

Installation tool	<u>KR754911</u>	Tooling set for installation of level 1 profile + modules (1 minimum required per installation)
-------------------	---------------------------------	--

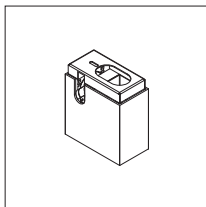
Optional power accessories

Power supply	LED power supply 24VDC, 96W, 90-305VAC 0-10V dimming
	LED power supply 24VDC, 96W, 120-277VAC DMX / Dali dimming

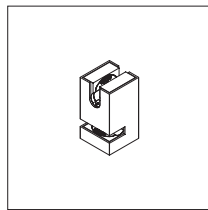
Connection Accessories

Surface Mounted Connection Box (Level 1) <i>for adding power from supply</i>	<u>KR754821</u>	Surface mounted connection box, level 1, 24Vdc, white
	<u>KR754822</u>	Surface mounted connection box, level 1, 24Vdc, black
Cross Connector (Level 1 to 2) <i>mechanical connections do not transfer power from level 1 to 2</i>	<u>KR754611</u>	Mechanical cross connector, level 1 to level 2, white
	<u>KR754612</u>	Mechanical cross connector, level 1 to level 2, black
	<u>KR754711</u>	Electrical cross connector, level 1 to level 2, white
	<u>KR754712</u>	Electrical cross connector, level 1 to level 2, black
Surface Mounted Connection Box (Level 1 and 2) <i>for adding power from supply to both or individual level</i>	<u>KR754811</u>	Surface mounted connection box, level 1+2, 24Vdc, white
	<u>KR754812</u>	Surface mounted connection box, level 1+2, 24Vdc, black
Mounting Block (Level 2) <i>for mechanical support of level 2</i>	<u>KR754601</u>	Mounting block, to support level 2 profile, white
	<u>KR754602</u>	Mounting block, to support level 2 profile, black

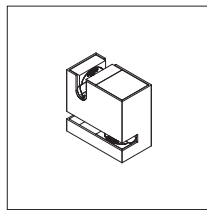
Surface mounted connection box, level 1



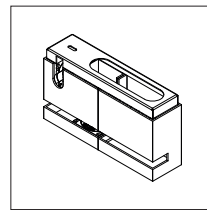
Mechanical cross connector



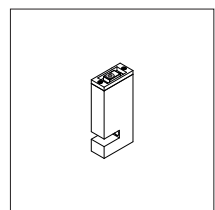
Electrical cross connector



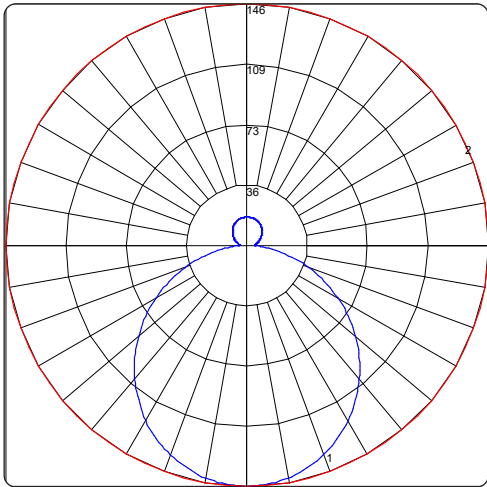
Surface mounted connection box, level 2



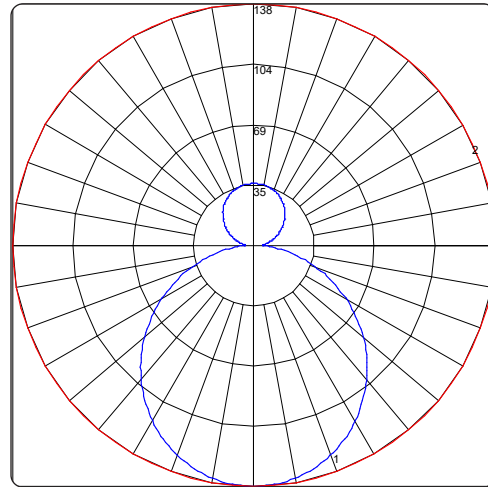
Mounting block



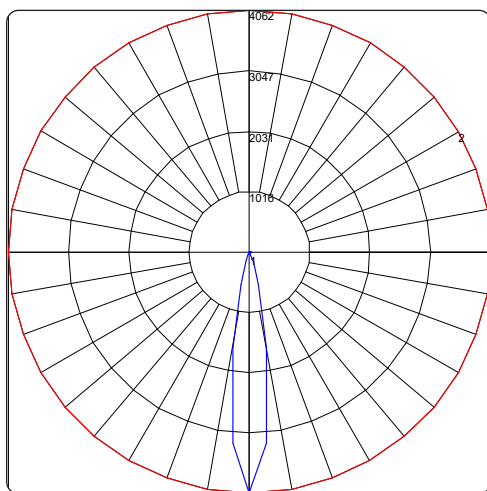
Kagi Profile 16



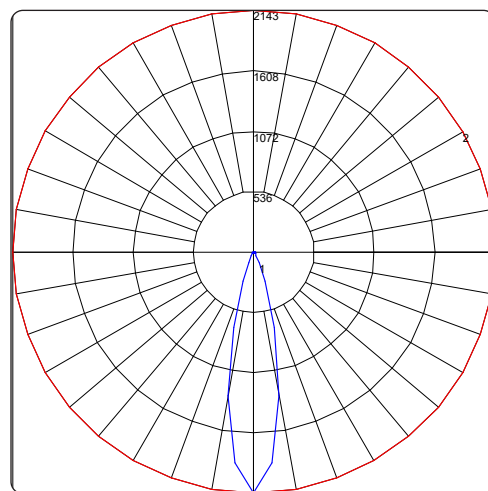
Kagi Profile 26



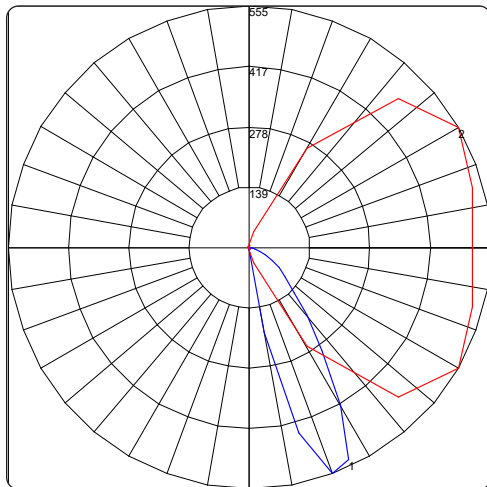
Kagi Fixed Spot



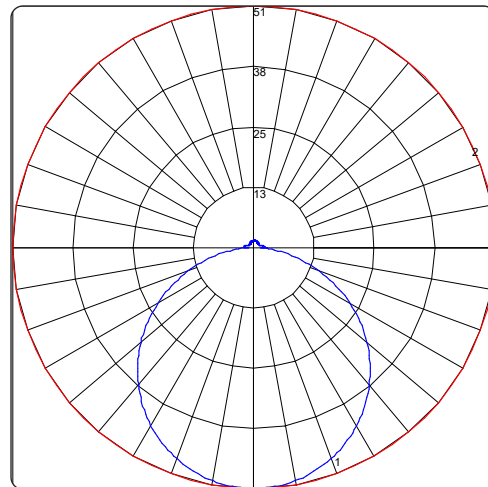
Kagi Fixed Flood



Kagi Fixed Wall Wash



Kagi Stone

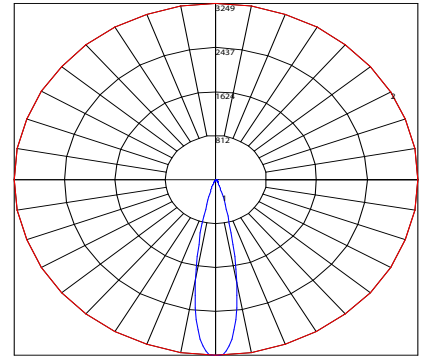


Photometry

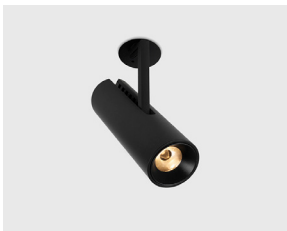
holon 40 spot



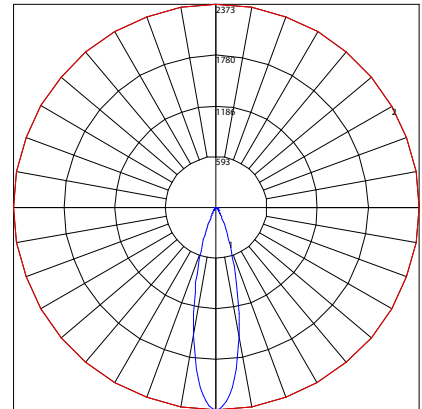
CCT: 2700K
 CRI: 90+
 Power: 9W
 Luminaire Output: 564 lumens (62 lm/W)



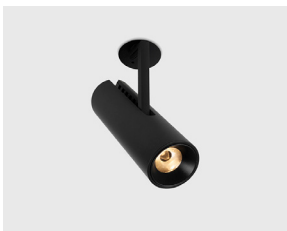
holon 40 flood



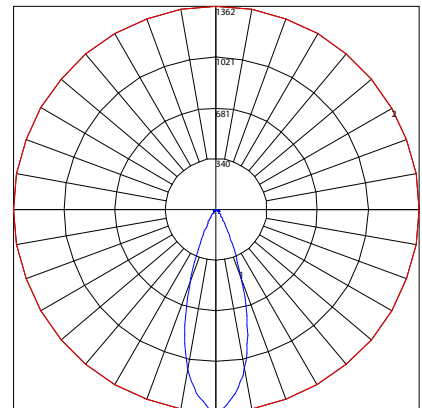
CCT: 2700K
 CRI: 90+
 Power: 9W
 Luminaire Output: 558 lumens (62 lm/W)



holon 40 wide flood



CCT: 2700K
 CRI: 90+
 Power: 9W
 Luminaire Output: 494 lumens (55 lm/W)

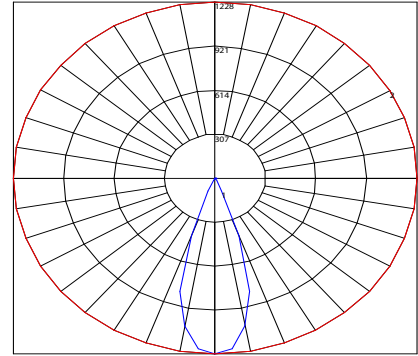


Photometry

holon 40 dark light (NEW LFO optics)



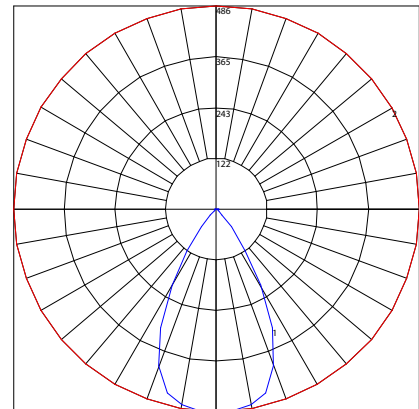
lumens CCT: 2700K
 CRI: 90+
 Power: 9W
 Luminaire Output: 413 lumens (45 lm/W)



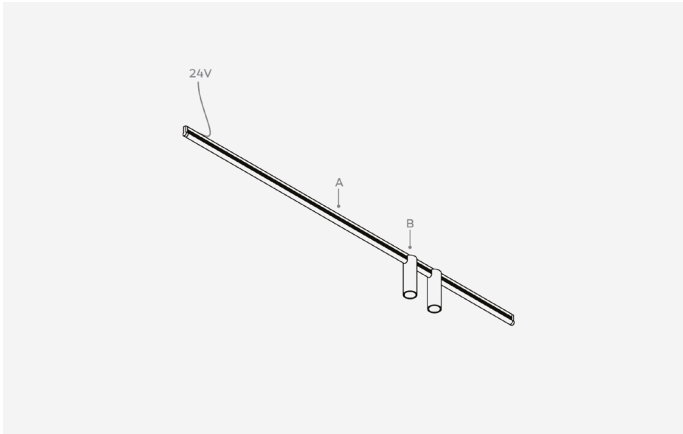
holon 40 wide dark light (NEW LFO optics)



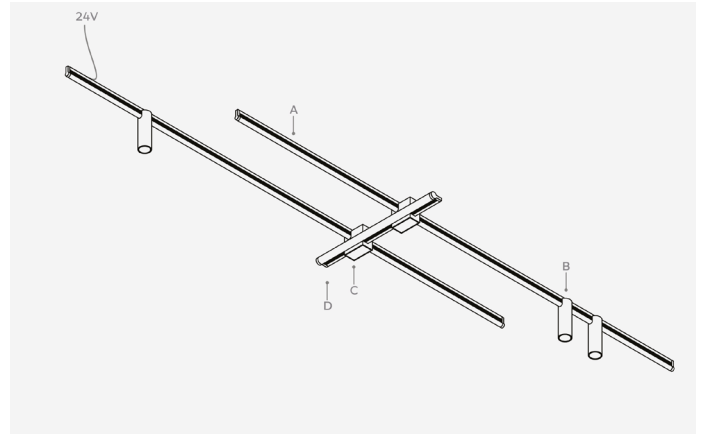
lumens CCT: 2700K
 CRI: 90+
 Power: 9W
 Luminaire Output: 426 lumens (47 lm/W)



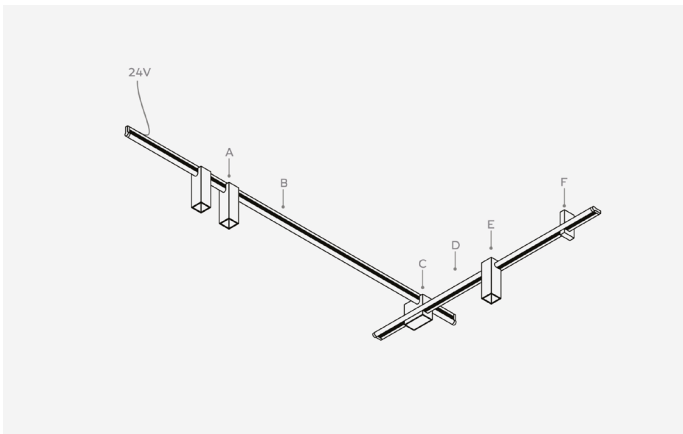
Layout Examples



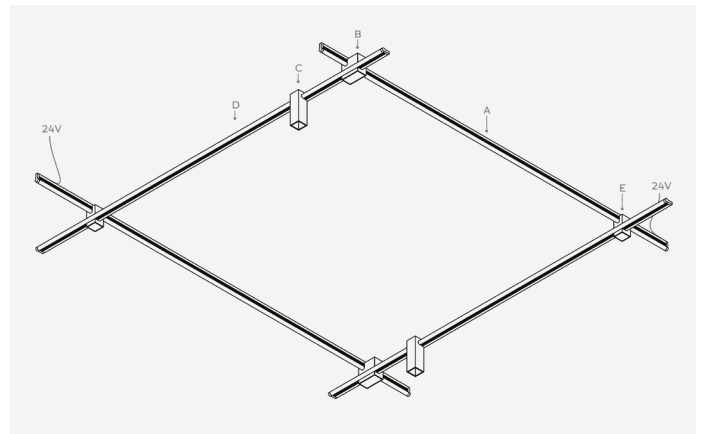
- A. kreon kagi 16 surface mounted profile lvl 1 with feed cable - M
- B. kreon holon 40 on-kagi downlight lvl 1



- A. kreon kagi 16 surface mounted profile lvl 1 with feed cable - L
- B. kreon holon 40 on-kagi downlight lvl 1
- C. kreon kagi electrical cross connector
- D. kreon kagi 26 surface mounted profile lvl 2 without feed cable - XS



- A. kreon prologe 40 on-kagi downlight lvl 1
- B. kreon kagi 16 surface mounted profile lvl 1 with feed cable - M
- C. kreon kagi electrical cross connector
- D. kreon kagi 16 surface mounted profile lvl 2 without feed cable - S
- E. kreon prologe 40 on-kagi downlight lvl 2
- F. kreon kagi mounting block lvl 2



- A. kreon kagi 16 surface mounted profile lvl 1 with feed cable - L
- B. kreon kagi electrical cross connector
- C. kreon prologe 40 on-kagi downlight lvl 2
- D. kreon kagi 16 surface mounted profile lvl 2 without feed cable - L
- E. kreon kagi mechanical cross connector
- F. kreon kagi mounting block lvl 2