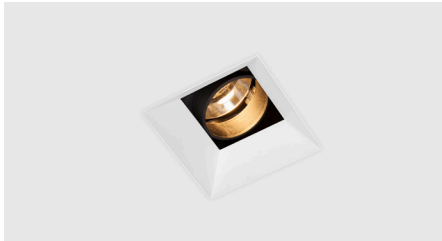


Date: \_\_\_\_\_ Customer: \_\_\_\_\_

Project: \_\_\_\_\_

Type: \_\_\_\_\_ Qty: \_\_\_\_\_

down 80 in-line directional



down 80



down 80 wallwasher



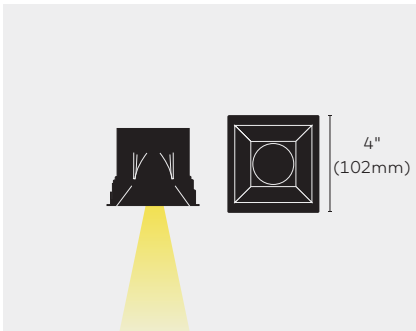
KU \_\_\_\_\_ - \_\_\_\_\_ - \_\_\_\_\_ - \_\_\_\_\_ - \_\_\_\_\_ - \_\_\_\_\_ - \_\_\_\_\_ - \_\_\_\_\_ - \_\_\_\_\_ - \_\_\_\_\_ - \_\_\_\_\_ - \_\_\_\_\_

kreon down	light direction	beam angle	CCT	source lumen package	CRI	trim / louver finish	dimming	mounting options	intended voltage <sup>4</sup>	optional accessories
<b>DWN80 -</b> For flanged install in wood, sheetrock, plaster, or ACT ceiling 4" with flange  <b>DIL80 -</b> In-Line for trimless/flangeless install in drywall or plaster ceiling 3 1/8" in-Line  <b>DIL802 -</b> Double downlight In-Line for trimless/flangeless install in drywall or plaster ceiling  <b>DIL80SG</b> - In-Line w/ Shadow gap ~3 1/8" in-Line	<b>DR -</b> Directional Adjustable w/ 30° Tilt	<b>NR -</b> Narrow 30° (combine w/diffusing lens for wider distribution)	<b>27 -</b> 2700K <b>30 -</b> 3000K <b>35 -</b> 3500K <b>40 -</b> 4000K	<b>SO -</b> Standard Output, 12W (Up to 1300lm source for 27, 30, 35, 40 and DW; 1100lm source for TW)	<b>Standard 80 -</b> 80+ min CRI  <b>98 -</b> 98+ min CRI	<b>WHT -</b> White  <b>BLK -</b> Black  <b>GRY <sup>1, 3, 6</sup> -</b> Grey (Inline Only)  <b>RSC <sup>1, 3, 6</sup> -</b> Red Satin Copper (Inline only)	<b>D1 -</b> Triac Phase Dim (10%); 120VAC only  <b>D2 -</b> 0-10V dim (10%); 120/277VAC  <b>D2LD -</b> 0-10V Dimming (1%); 120/277VAC  <b>D3-3 -</b> Lutron Hi-Lume Dim to 1% for 3-wire; 120/277VAC  <b>D3-ECO -</b> Lutron HiLume Dim to 1% for Ecosystem 5-wire; 120/277VAC  <b>D4 <sup>11</sup> -</b> EidoLED 0-10V dim to dark (0%); 120/277VAC (with PN or RM mounting option only)	<b>PN <sup>7</sup> -</b> non-IC fixture tray/pan  <b>PNB <sup>7</sup> -</b> non-IC fixture tray/pan includes butterfly brackets  <b>RM -</b> Remodel (no backbox, LV wiring in whip to driver box)  <b>NIC -</b> Non-IC Backbox <b>IC -</b> IC rated Backbox  <b>AIC -</b> Airtight, IC rated Only available for SO versions)  <b>SH <sup>10</sup> -</b> Shallow Backbox (available with FX only) (non-IC)	<b>120 -</b> 120VAC  <b>277 -</b> 277VAC	<b>For DR Light Modules Only:</b>  <b>SL -</b> softening lens  <b>SC -</b> sculpture lens  <b>For FX or DR Light Modules:</b>  <b>AG -</b> anti-glare louver  <b>DL -</b> diffusing lens  <b>44 <sup>8, 10</sup> -</b> IP44 splash resistant clear lens*  *** Consult factory for more than one accessory per fixture
			<b>WW <sup>1, 6</sup> -</b> Wall Wash Optic (Only available w/ FX light module, DWN80, DIL80)				<b>GBL <sup>1, 3</sup> -</b> Gun Black (Brushed Alm Finish; Inline only)			

**Ordering Example: KUDIL80-DR-NR-30-SO-80-RSC-D2-120-SL**

\* All Down 80 products are rated for indoor use only, in either a dry or damp location, unless using an IP44 rated louver. In case of IP44 rated louver, fixture may be installed in certain wet locations. Contact factory for more information. \*Lumen Package designates module lumens. Light Direction, CCT, and Optional Accessories will all impact light output. Please see IES files for delivered lumens. \*\* Consult factory for custom RAL finish color options. <sup>1</sup> Not available with dropped louver <sup>2</sup> Warm Dim is an adaptable light allowing simulation of the familiar glow and dimming of incandescent lamps. 1800K-3000K with tight color consistency of 2 SDCM. Tunable White is an adaptable light allowing designers to mimic daylight for commercial and residential applications. 2700K-6500K with tight color consistency of 3 SDCM. <sup>3</sup> Inline version only. <sup>4</sup> Please provide for confirmation of specification and mounting component requirements. <sup>5</sup> Fixed version only  
<sup>6</sup> Not recommended with dropped louver (AIL80 DL) <sup>7</sup> Only suitable for installation in accessible ceilings (i.e. ACT, grid). Can not be used for closed ceilings. Hanger bars included as standard (for use with 16"-24" joist spacing). - PN120B / PN277B includes hanger bars and butterfly clips <sup>8</sup> IP44 rating option protects against splashing water. Choose this accessory for glass lens between beveled louver and reflector. <sup>9</sup> Not available with D1 or D3 dimming. <sup>10</sup> Not available with D3 or D4 dimming. <sup>11</sup> CEC and JAB compliant.

down 80 downlight, fixed

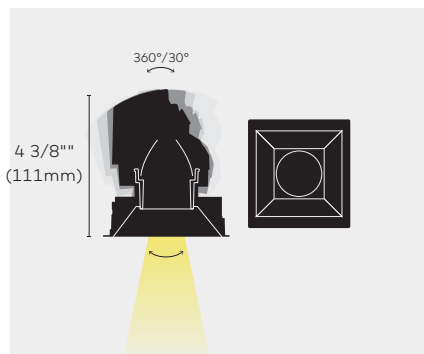


### Description

Down is designed for recessed use and is characterized by the deeper position of the light source in relation to the ceiling level. Down provides the feeling of light without the sight of light. For new construction installation, each luminaire has a choice of required and optional accessories that can be chosen depending on your project. Down is a round recessed spotlight system, able to respond to the highest qualitative and functional requirements of architectural lighting design.

Down 80 is also available in a Wall-Wash optic for wide and even wall illumination.

down 80 directional



### Mounting

Down 80 features a round aperture with flange, or in-line for trimless install in drywall, and can be rotated up to 360° and tilted by 30° without compromising the recessed position of the lamp or the glare control. The luminaire can aim both at vertical and horizontal surfaces. Down 80 is equipped with a filter holder and anti-glare snoot. The internal gear can be handled from the room-side. The newest addition to this luminaire is a dropped louver.

### Finish

made from zamak die cast aluminum alloy. Louver finish available with white or black. RAL available on request.

### Optical system / LED's

LED life of L80 greater than 50,000 hours.

### Color temperatures / CRI

Available in 2700K, 3000K, 3500K and 4000K; Warm Dim range 1800K-3000K, tunable white range 2700K-6500K

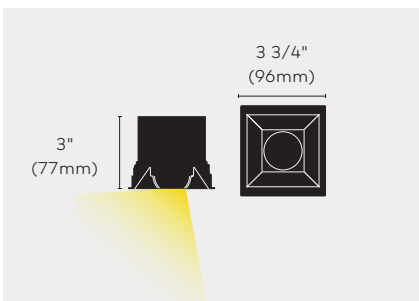
### Controls / Dimming

Down 80 is standard with TRIAC phase dim (120V only), or 0-10V dim (120-277V); For non-dimming applications dimming wires can be independently capped off.

### Optional accessories

various lenses to ensure visual comfort.

down 80 wallwash



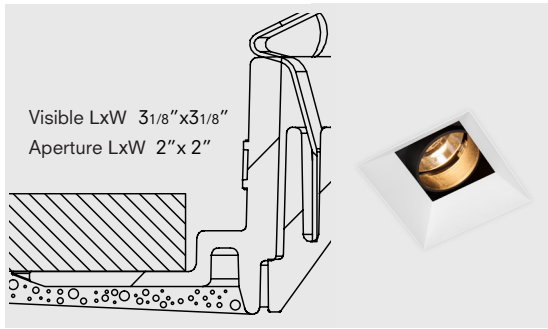
### ETL / UL

All Down 80 products are rated for indoor use only, in either a dry or damp location, unless using an IP44 rated louver. In case of IP44 rated louver, fixture may be installed in certain wet locations. Contact factory for more information.

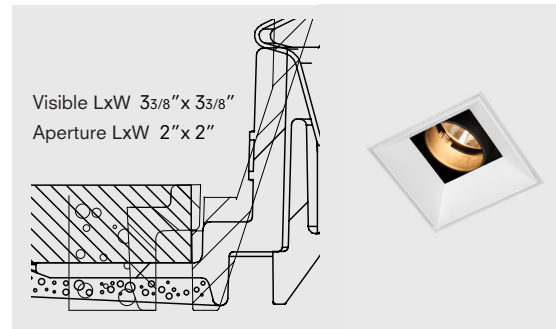
ETL tested for installation in the US and Canada. Ingress Protection – IP40.



## mounting / installation

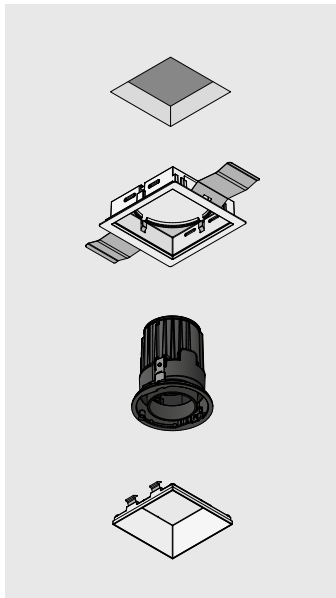


Down 80 in-line installation (trimless, no shadow gap)

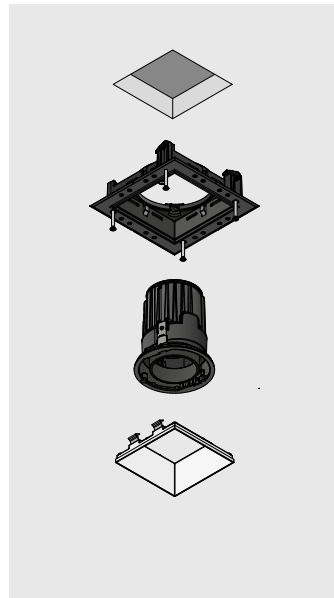


Down 80 in-line installation with shadow gap

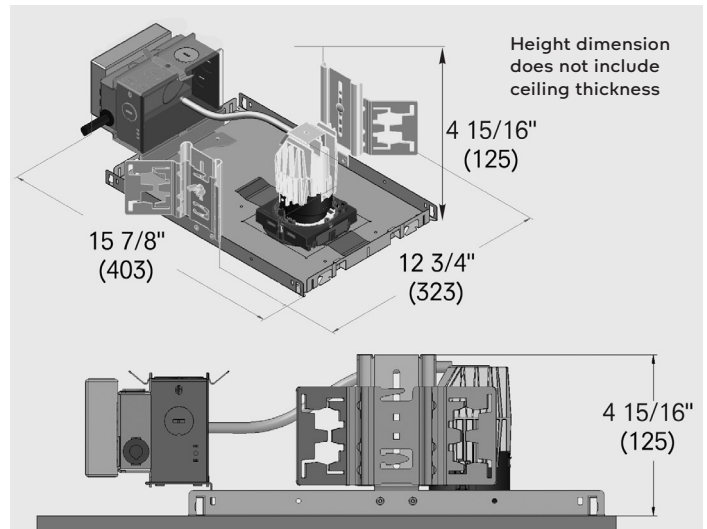
## down 80 mounting



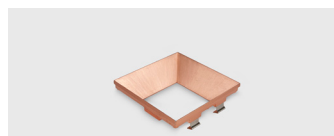
Schematic representation of assembly Down 80



Schematic representation of assembly Down 80 in-line



Down 80 in-line Gun Black Louver



Down 80 Red Satin Copper Louver

## louver

## in-line louver finishes

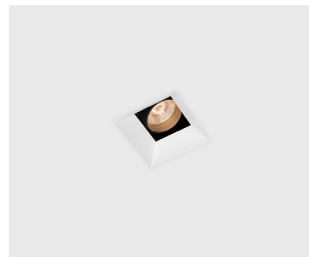
Inline Louver	ØB	H
down 80 inline	3 1/16" (80mm)	5/8" (22.5mm)
down 80 inline IP44	3 1/16" (80mm)	5/8" (22.5mm)



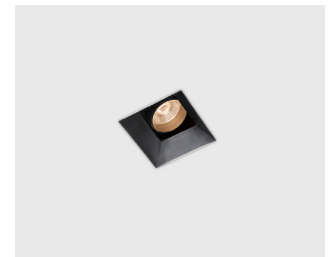
black



red copper



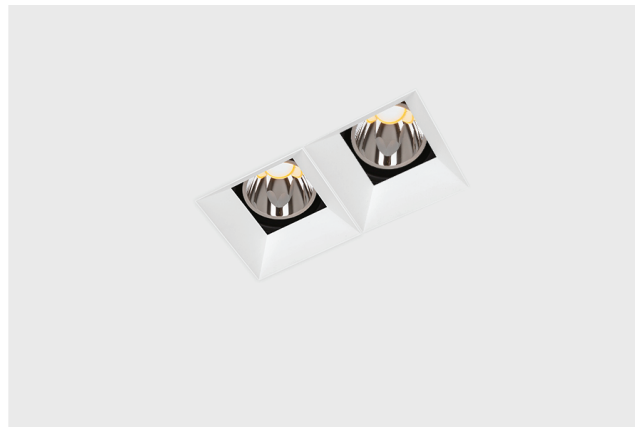
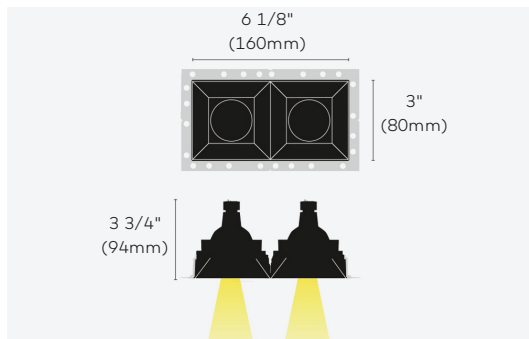
white



gun metal black

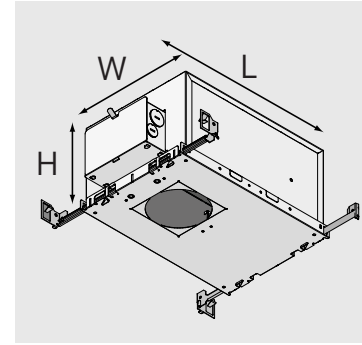
## down in-line double

(see page 6 for backbox dims)



### RM - Driver Box Dimensions

Control Selection	Driver	IC Box Dimensions
SW	On-Off	16.5"x2.48"x1.97" (LxWxH)
D1	Triac Phase Dimming	7"x2.375"x1.5" (LxWxH)
D2	0-10V Dimming	16.5"x2.48"x1.97" (LxWxH)
D2-LD	0-10V Dimming (1%)	16.5"x2.48"x1.97" (LxWxH)
D3-3	Lutron 3-Wire Dimming (1%)	19"x2.48"x1.97" (LxWxH)
D4	EldoLED dim to dark	16.5"x2.48"x1.97" (LxWxH)



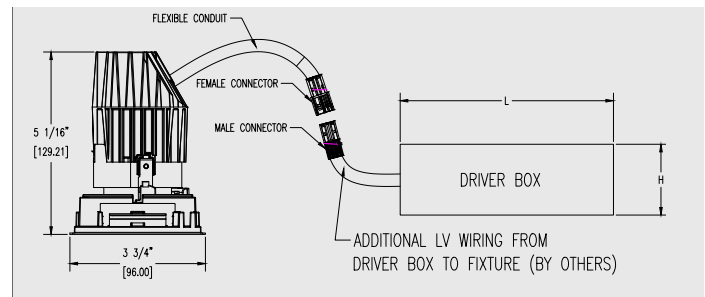
### Backbox

#### Down 80 backbox dimensions

Backbox Dimensions	L	W*	H
IC & Non-IC	14 5/8"	8 5/8"	6 3/4"
Airtight IC	14 3/4"	8 5/8"	6 3/4"
CCEA Chicago Plenum	14 3/4"	8 5/8"	6 3/4"
Shallow	12 13/16"	8 5/8"	4 3/16"

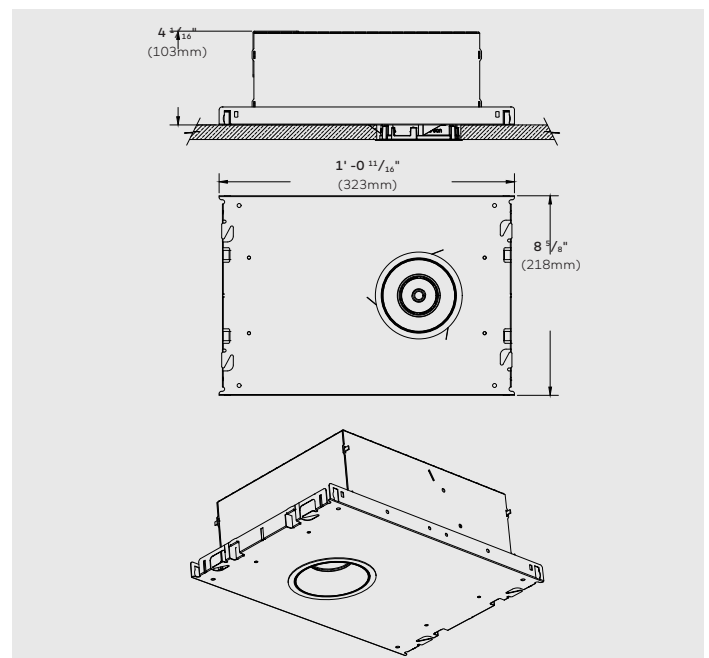
Pan Dimensions	L	W*	H
Directional / Fixed (SO) Pan Assembly	14 5/8"	8 5/8"	6 3/4"
Fixed (HO) pan assembly	14 3/4"	8 5/8"	6 3/4"
Hanger bars included as standard. For use with 16"-24" joist spacing.			
For butterfly bracket option W = 12 3/4"			

### Remodel



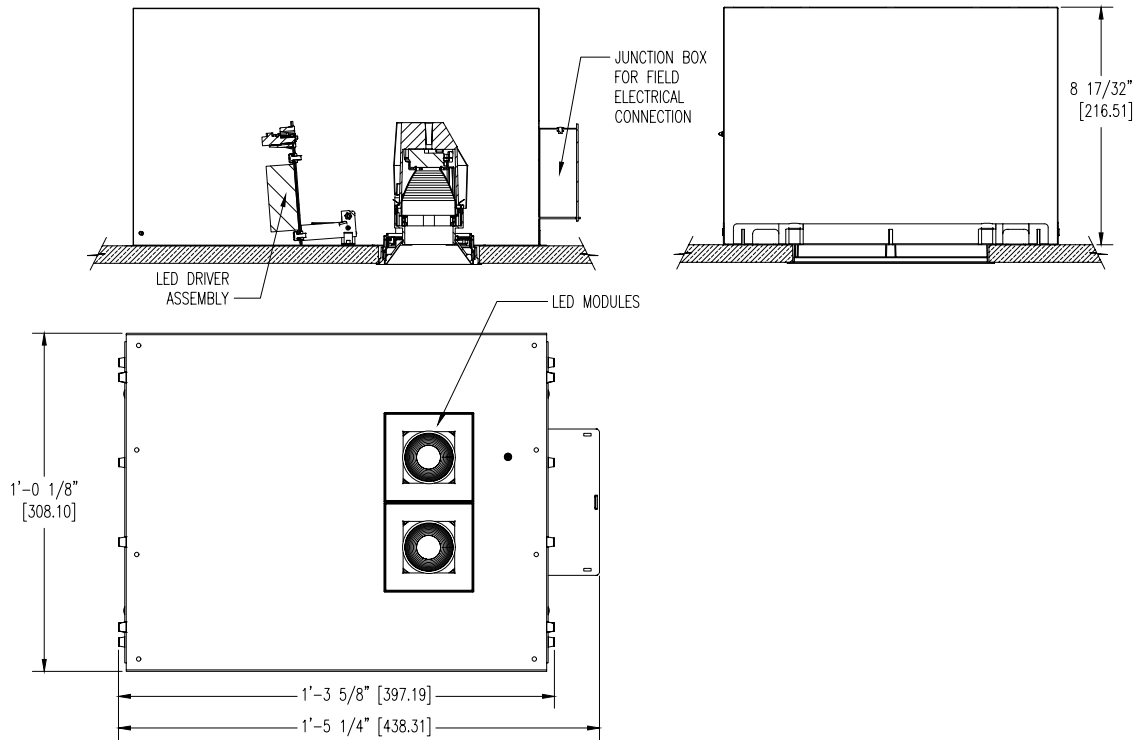
\*\*\*Please see Remote driver Gearbox Dimensions on page3. All drivers possible in remote retrofit applications dependent on ceiling cavity. Please have GC review dimensions.\*\*\*

### SH - Shallow Backbox



## Down 80 Double Backbox

Enclosure with double LED module



## Photometry

Down 80 fixed, flood beam



**DWN-80-DR-FL-27-SO-80**

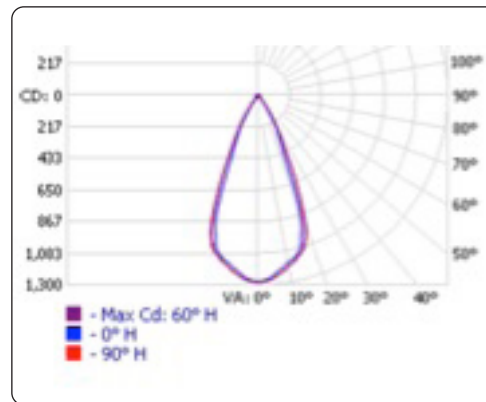
Source Lumens: 1300lm

CCT: 2700K

Power: 15W

Delivered Lumens: 693lm

Efficiency: 46lm/W



Down 80 fixed, wallwasher



**DWN-80-WW-FL-27-SO-80**

Source Lumens: 1300lm

CCT: 2700K

Power: 15W

Delivered Lumens: 989lm

Efficiency: 66lm/W

