

Date: _____ Customer: _____

Project: _____

Type: _____ Qty: _____



Down is designed for recessed use and is characterized by the deeper position of the light source in relation to the ceiling level. Down provides the feeling of light without the sight of light. For new construction installation, each luminaire has a choice of required and optional accessories that can be chosen depending on your project. Down is a square recessed spotlight system, able to respond to the highest qualitative and functional requirements of architectural lighting design.

Down 165 features a square aperture with flange, or in-Line for trimless install in drywall, and can be rotated up to 360° and tilted by 30° without compromising the recessed position of the lamp or the glare control. The luminaire can aim both at vertical and horizontal surfaces. Down 165 is equipped with a filter holder and anti-glare snoot. The internal gear can be handled from the room-side. Down 165 is also available in a Wall-Wash optic for wide and even wall illumination. Down 165 is standard with 0-10V or TRIAC phase dimming (other dimming options available).

Construction

Luminaire – Made from zamak die cast aluminum alloy. Backbox – Made from sheet steel.

Finishes

- White (RAL 9016)
- Black (RAL 9004)
- RAL color finish upon request

Mounting Options

Recess mounting in drywall, plaster, grid/ACT ceiling, or wood.

Classifications

All Down 120 products are rated for indoor use only, in either a dry or damp location unless using an IP44 rated louver. In case of IP44 rated louver, fixture may be installed in certain wet locations. Contact factory for more information.

Electrical Characteristics

LED Specification

Xicato Zhaga compliant LED module with Corrected Cold Phosphor Technology® (remote phosphor to limit color shift over time. Tight color consistency within 1x2 MacAdam Ellipses).

LED Life

L80 greater than 50,000 hours.

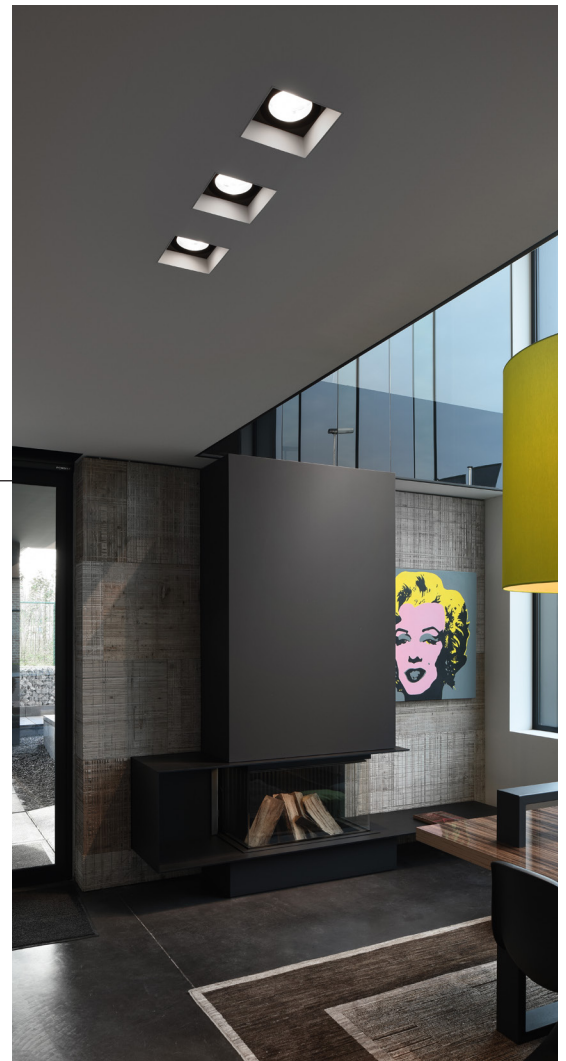
Correlated Color

Temperature (CCT)

- Available in 2700K, 3000K, 3500K and 4000K
- CRI 80+, 98+

Gear

Down 165 is standard with TRIAC phase dim (120V only), or 0-10V dim (120-277V; for non-dimming applications cap off dimming wires independently). Optional dimming choices available for 1% or below dimming. See ordering codes for additional options.



Ordering Codes

KU	165									
KREON DOWN 165	APERTURE SIZE	LIGHT DIRECTION	BEAM ANGLE	LIGHT SOURCE AND CCT	LUMEN PACKAGE*	CRI	TRIM/LOUVER COLOR**	DIMMING	BACKBOX OPTIONS	OPTIONAL ACCESSORIES (BLANK FOR NONE)
DWN – For flanged install in drywall, plaster, or ACT ceiling DWNIL – in-Line For trimless/flangeless install in drywall or plaster ceiling DILSG – in-Line w/ Shadow Gap	165 mm ~7" including flange ~6.5" in-Line	FX – Fixed DR – Adjustable 30°	SP – Spot 8° NR – Narrow 24° FL – Flood 45° WW – Wall wash optic (use FX for Light Direction)	27 – 2700K 30 – 3000K 35 – 3500K 40 – 4000K	SO – Standard Output (2000 lm, 20W for 80+ CRI) (1600 lm, 17W for 98+ CRI) HO – High Output, (3000 lm, 30W for 80+ CRI) (2200 lm, 23W for 98+ CRI)	80 – 80+ min CRI 98 – 98+ min CRI	WHT – White BLK – Black	D1 – Triac Phase Dim (120V only) D1LD – Triac Phase Dim, low dimming (1%, 120V only) D2 – 0-10V dim (10%) D2LD – 0-10V dim, low dimming (1%) D3-2W – Lutron Hi-Lume dim to 1% (2 wire forward phase, 120V) D3-3W – Lutron Hi-Lume dim to 1% (3 wire 120/277V) D3-ECO – Lutron SoftOn/Fade to Black EcoSystem dimming (1%) 120/277V D4 – EldoLED dim to dark	NIC – Non-IC Backbox IC – IC rated AIC – Airtight, IC rated (for SO lumen package only) CP – Chicago Plenum	SL – softening lens DL – diffusing lens SC – sculpture lens AG – anti-glare louver UV – UV filter FR – Filter red FM – Filter Magenta FO – Filter Orange DC – Daylight converter IR – Infrared filter SK – Skintone filter EM - Emergency LED Driver - EM Backup

Ordering Example: KU-DWN-165-DR-FX-30-20-80-BLK-D2-NIC

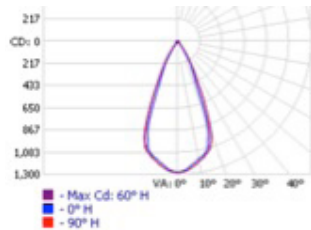
* Lumen package designates module lumen. Light direction, CCT, and optional accessories will all impact light output. Please see IES files for delivered lumen.

** Consult factory for custom RAL finish color options.

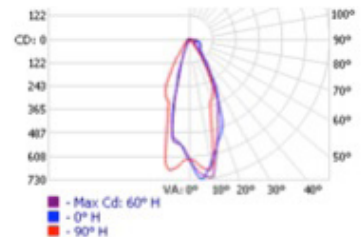
*** Only suitable for installation in accessible ceilings (i.e.: ACT, grid). Can not be used for closed ceilings.

Photometry — For full photometry, please reference IES files on www.kreon.com

KUDWN-165-DR-NR-27-20-80 (no accessories)
 Light Engine: 2000 lumens
 CCT: 2700K
 CRI: 80+
 Power: 21W
 Luminaire Output: 1400 lumens (67 lm/W)
 Color Rendering Index (3000K Typical), 80+ CRI



KUDWN-165-WW-NR-27-20-80 (no accessories)
 Light Engine: 2000 lumens
 CCT: 2700K
 CRI: 80+
 Power: 21W
 Luminaire Output: 905 lumens (43 lm/W)



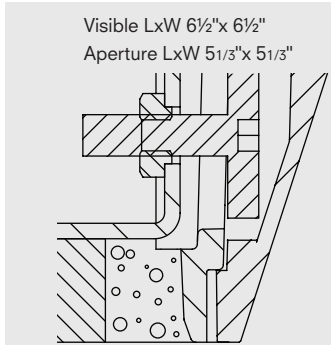
	Ra	R1	R2	R3	R4	R5	R6	R7	R8	R9	R10	R11	R12	R13	R14	R15
Standard Series	83	82	89	95	84	82	87	86	65	16	64	79	58	81	93	75

Color Rendering Index (3000K Typical), 98+ CRI

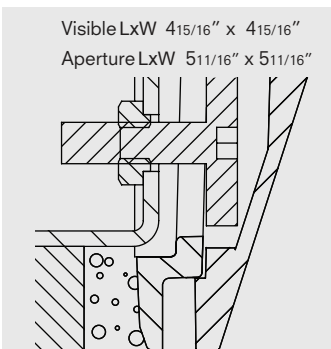
	Ra	R1	R2	R3	R4	R5	R6	R7	R8	R9	R10	R11	R12	R13	R14	R15
Artists Series	98	98	99	98	98	98	97	98	98	98	99	98	88	98	98	98



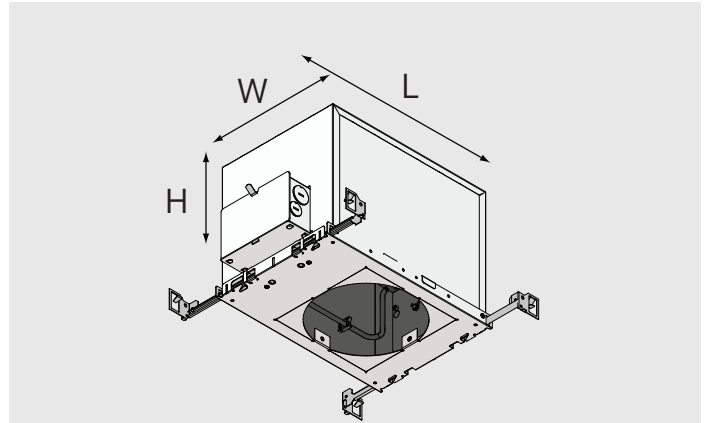
Mounting/Installation



Installation Finish Flush



Installation Finish Shadowgap

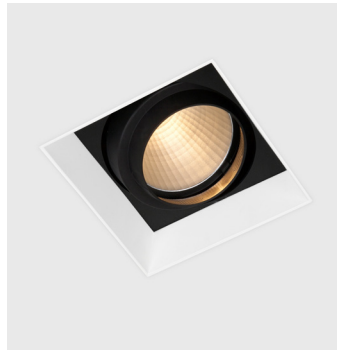


Directional or Fixed Modules	L	W*	H
Non-IC	14 5/8"	8 5/8"	8 5/8"
IC	14 5/8"	8 5/8"	8 7/8"
Airtight IC	16 7/8"	12"	8 1/2"
CCEA (Chicago Plenum)	16 7/8"	12"	8 1/2"
Butterfly brackets and hanger bars are included.			
*Width does not include butterfly brackets (if needed)			

Aplis 165 Backbox Dimensions



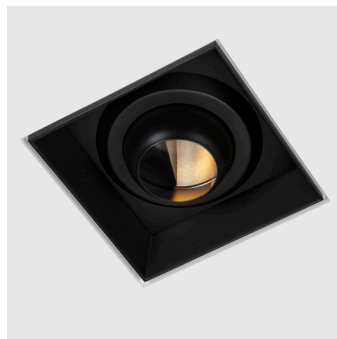
White Down 165 directional



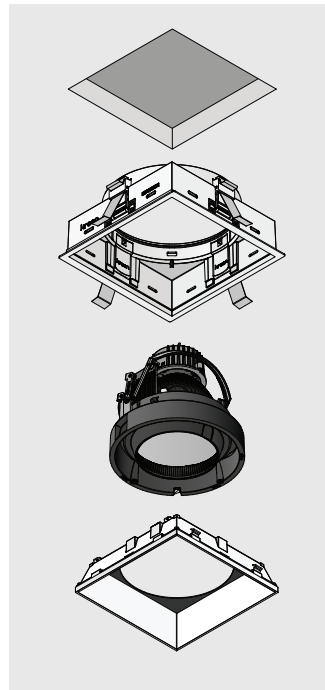
White Down in-Line 165 directional, flush



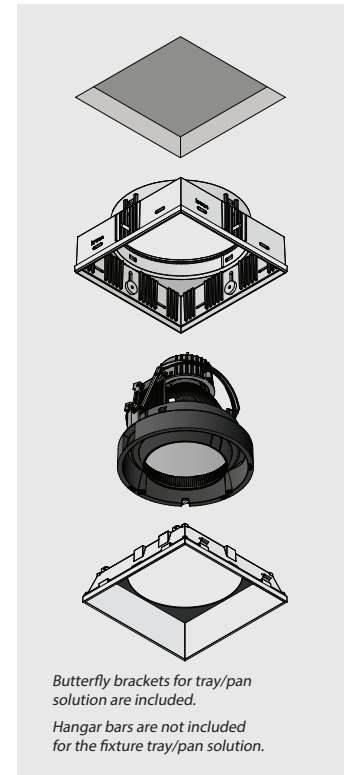
Black Down 165 Wallwasher



Black Down in-Line 165 Wallwasher, Shadowgap



Construction Schematic representation of assembly Aplis 165



Construction Schematic representation of assembly Aplis in-line 165

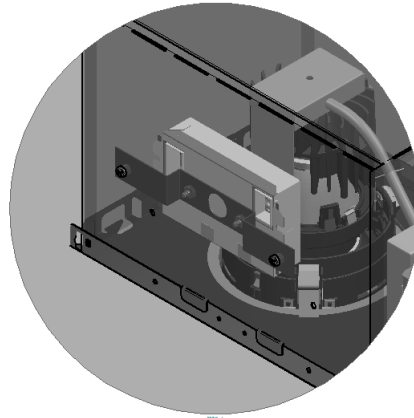
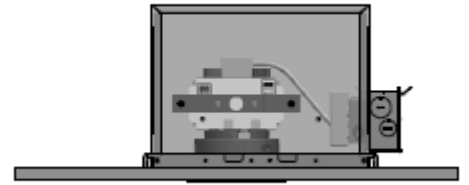
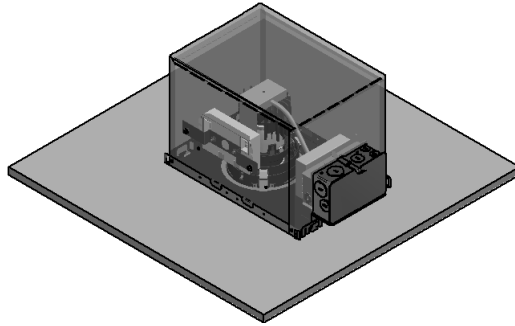
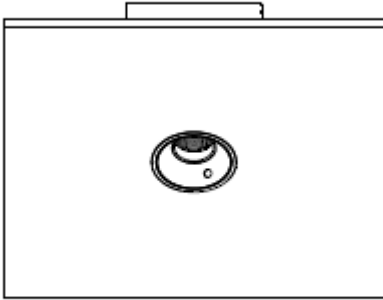


Down luminaires are ETL Listed for dry and damp locations.
Down luminaires lend support for LEED credits and certification.

Integral Emergency LED Driver (EM)

Integral emergency LED driver provides backup power for 90 minutes. Provided with an integral test switch located in the louver for easy accessibility and visibility. The integral emergency LED driver can be accessed and serviced from below by removing the LED module and removing (2) M4 hexagonal nuts that secure the mounting bracket to the interior sidewall of the backbox housing.

[Link to Manufacturer and Spec Sheet](#)



Down luminaires are ETL Listed for dry and damp locations.
Down luminaires lend support for LEED credits and certification.