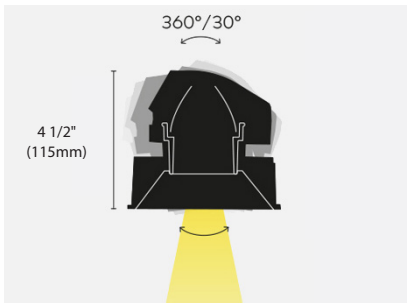
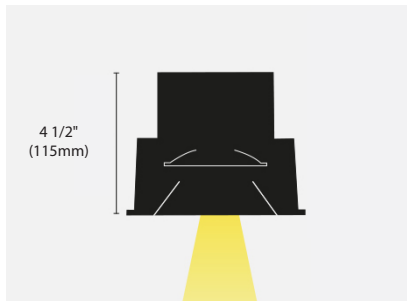


kreon down 120

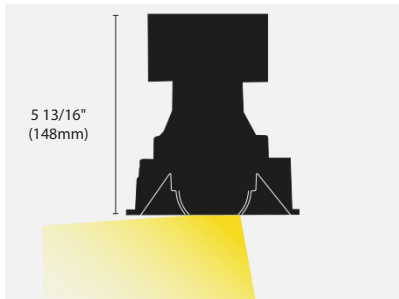
Down 120 directional



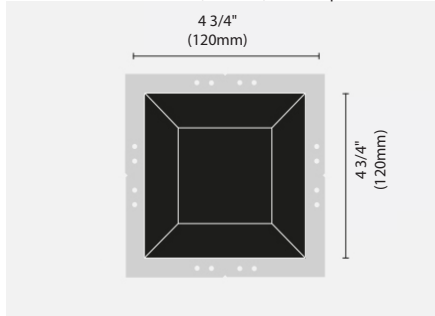
Down 120 fixed



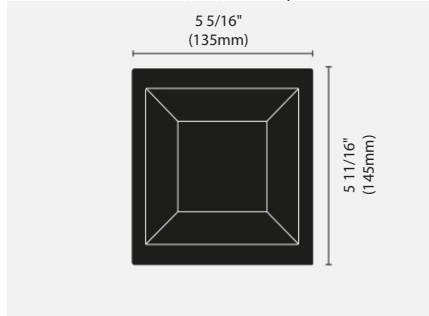
Down 120 wallwasher



down in-line 120 (Trimless) visible aperture



Down 120 (trim) visible aperture



kreon down directional is a fully recessed spotlight with a built-in snoot that serves two purposes. Firstly it absorbs stray flux, so aiding a control, and secondly it provides an integrated mounting ring for the fixation of additional optical lenses for increased optimisation. kreon down directional has a rotational adjustment of 360° and an angular adjustment of 30°, which, when combined with the choice of spot, flood and wide flood TIR reflector, provides a truly versatile accent lighting tool.

Description

kreon down downlight is the perfect solution for general lighting and features a flood beam mirror reflector set above the black or white internal louvre, optimised to create pools of light on horizontal surfaces or dramatic scalloping effects on verticals.

kreon down wallwasher provides near perfect uniformity on vertical surfaces. This is made possible by the unique optical design that is capable of reflecting light to the very top of adjacent walls through a full 180° beam angle, whilst still maintaining an effective down light component.

Finish

made from zamak die cast aluminum alloy. Louver finish available with white or black

Optical system / LED's

LED life of L80 greater than 50,000 hours.

Color temperatures / CRI

Available in 2700K, 3000K, 3500K and 4000K

Controls / Dimming

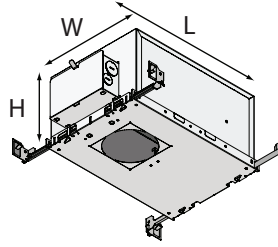
Available with TRIAC phase dim (120V only), 0-10V dim (120-277V), and Lutron Ecosystem (120-277V)



kreon down 120

Backbox Dimensions

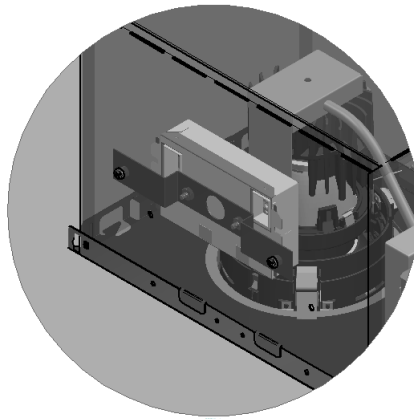
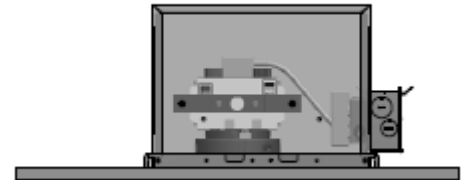
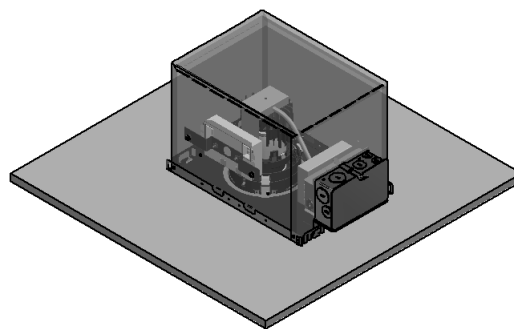
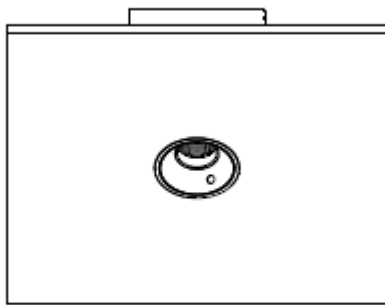
Backbox Dimensions	L	W*	H
IC & Non-IC	14 5/16"	12 1/8"	8 7/8"
Airtight IC	15 5/8"	12 1/8"	6 3/4"



Integral Emergency LED Driver (EM)

Integral emergency LED driver provides backup power for 90 minutes. Provided with an integral test switch located in the louver for easy accessibility and visibility. The integral emergency LED driver can be accessed and serviced from below by removing the LED module and removing (2) M4 hexagonal nuts that secure the mounting bracket to the interior sidewall of the backbox housing.

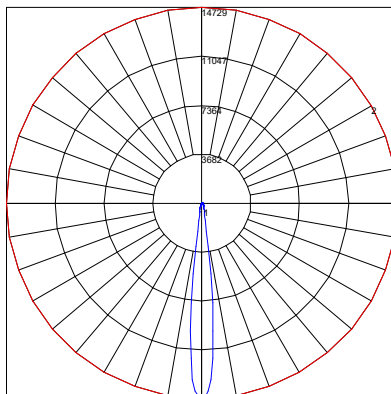
[Link to Manufacturer and Spec Sheet](#)



Photometrics

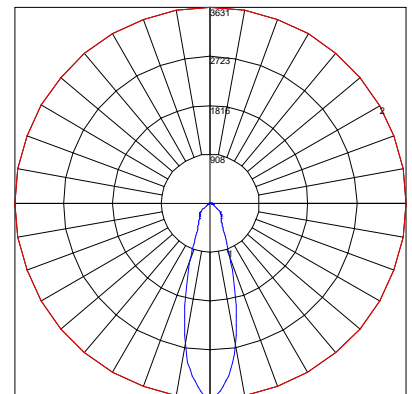
Down 120 SO spot

Delivered Lumens: 1114lm
 CCT: 2700k
 CRI: 80+
 Power: 16W
 Efficiency: 70lm/W



Down 120 SO Flood

Delivered Lumens: 1666lm
 CCT: 2700k
 CRI: 80+
 Power: 16W
 Efficiency: 104lm/W

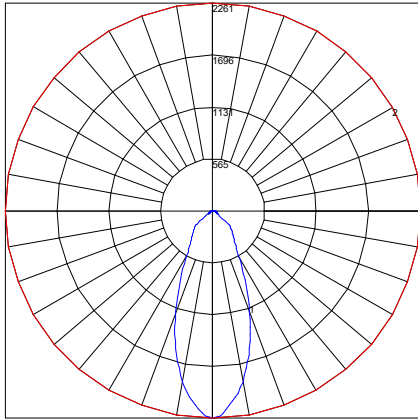


kreon down 120

Photometrics Continued

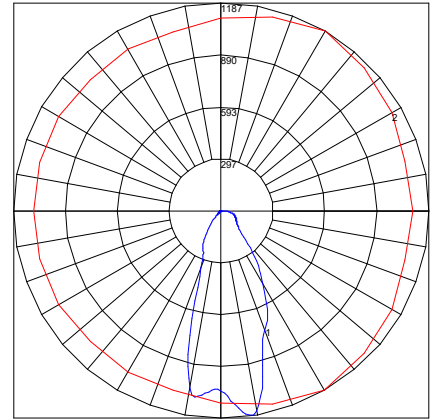
Down 120 SO wide flood

Delivered Lumens: 1648lm
CCT: 2700k
CRI: 80+
Power: 16W
Efficiency: 103lm/W



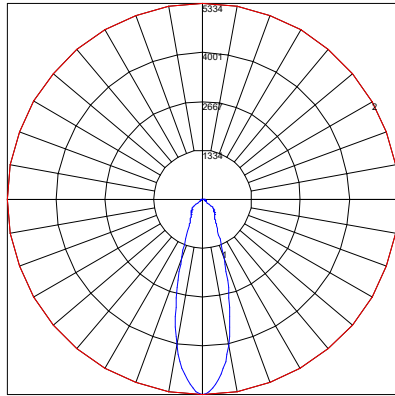
Down 120 SO wall wash

Delivered Lumens: 938lm
CCT: 2700k
CRI: 80+
Power: 16W
Efficiency: 59lm/W



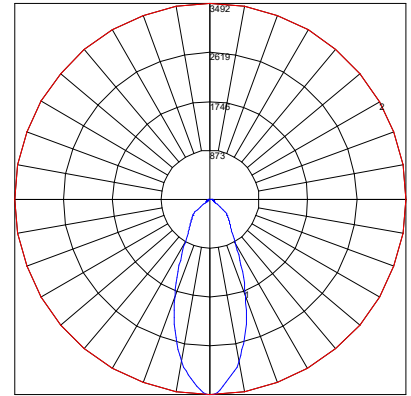
Down 120 HO Flood

Delivered Lumens: 2610lm
CCT: 2700k
CRI: 80+
Power: 27W
Efficiency: 97lm/W



Down 120 HO wide flood

Delivered Lumens: 2585lm
CCT: 2700k
CRI: 80+
Power: 27W
Efficiency: 96lm/W



Down 120 HO wall wash

Delivered Lumens: 1385lm
CCT: 2700k
CRI: 80+
Power: 27W
Efficiency: 51lm/W

