

Order codes:

KUCANA-80-

kreon prologue 80 in cana		faceplate finish	fixture finish	CCT		CRI (MIN)	beam angle	accessory	qty
PRO1	prologue 80 single in cana • Fixture dimensions: 3.33" x 3.33 • Spacing/ custom size* • Rotation/ inclination 360°/30°	IC1 White IC2 Black	F1 White F2 Black	27	2700k	95 CRI95	SP	AGL ² Anti-glare louver DL ² Diffusing lens SL ² Sculpture lens	Specify number of luminaires per run
				30	3000k		Spot 16°		
				35	3500k		FL Flood 28°		
				40	4000k		WFL Wide flood 36°		
PRO2	prologue 80 twin in cana • Fixture dimensions: (3.33" x 3.33) x 2 • Spacing/ custom size* • Rotation/ inclination 360°/30°			TW** Tunable white					
				WD** Warm dim					
PRO3	prologue 80 triple in cana • Fixture dimensions: (3.33" x 3.33) x 3 • Spacing/ custom size* • Rotation/ inclination 360°/30°					90 CRI90	SSHO ¹ Superspot High Output 18°		
							SPHO ¹ Spot High Output 30°		
							FLHO ¹ Flood High Output 50°		
PRO1 HO ¹	prologue 80 single in cana High Output • Fixture dimensions: 3.33" x 3.33 • Spacing/ custom size* • Rotation/ inclination 360°/30°						WW ¹ WallWash Optic (only available with FX light)		
PRO2 HO ¹	prologue 80 twin in cana High Output • Fixture dimensions: (3.33" x 3.33) x 2 • Spacing/ custom size* • Rotation/ inclination 360°/30°								
PRO3 HO ¹	prologue 80 triple in cana High Output • Fixture dimensions: (3.33" x 3.33) x 3 • Spacing/ custom size* • Rotation/ inclination 360°/30°								

Lighting Element Ordering Example: KUCANA-80-PROT-BL-30-90-SP-2

*See page 9/consult factory

¹ Options only available for CRI90

² Maximum (1) accessory per fixture



Order codes:

KUCANA-80-

kreon holon 80 in cana		faceplate finish	fixture finish	CCT		CRI (MIN)	beam angle	accessory	qty
HOL1	holon 80 single in-cana • Fixture dimensions: 3.33" diameter • Rotation/ inclination 360°/30° • Spacing/ custom size*	IC1 White IC2 Black	F1 White F2 Black	27	2700k	95 CRI95	SP	AGL ² Anti-glare louver DL ² Diffusing lens SL ² Sculpture lens	Specify number of luminaires per run
				30	3000k		Spot 16°		
				35	3500k		FL Flood 28°		
				40	4000k		WFL Wide flood 36°		
HOLT	holon 80 twin in-cana • Fixture dimensions: (3.33" diameter) x 2 • Rotation/ inclination 360°/30° • Spacing/ custom size*			TW** Tunable white					
				WD** Warm dim					
HOL3	holon 80 triple in-cana • Fixture dimensions: (3.33" diameter) x 3 • Rotation/ inclination 360°/30° • Spacing/ custom size*					90 CRI90	SSHO ¹ Superspot High Output 18° SPHO ¹ Spot High Output 30° FLHO ¹ Flood High Output 50° WW ¹ WallWash Optic (only available with FX light)		
HOL1 HO**	holon 80 single in cana High Output • Fixture dimensions: 3.33" diameter • Rotation/ inclination 360°/30° • Spacing/ custom size*								
HOLT HO**	holon 80 twin in cana High Output • Fixture dimensions: (3.33" diameter) x 2 • Rotation/ inclination 360°/30° • Spacing/ custom size*								
HOL3 HO**	holon 80 triple in cana High Output • Fixture dimensions: (3.33" diameter) x 3 • Rotation/ inclination 360°/30° • Spacing/ custom size*								

Lighting Element Ordering Example: KUCANA-80-HOL1-BL-30-90-SP-DL-3

*See page 9/consult factory

¹ Options only available for CRI90

² Maximum (1) accessory per fixture



Order codes:

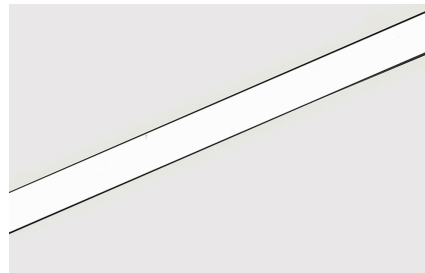
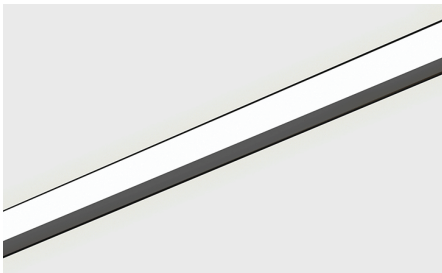
KUCANA-80-HOLD-									
kreon holon 80 in cana	faceplate finish	fixture finish	CCT	CRI (MIN)	beam angle	lumen source	accessory	qty	
HOLD holon 80 directional in cana • Minimum Spacing ¹ : 4" on center • Rotation/inclination: 355°/90° • Size: 3 1/2" dia x 8"H	IC1 White IC2 Black	F1 White F2 Black	27 2700k 30 3000k 35 3500k 40 4000k WD ¹ Warm dim TW ¹ Tunable white	90+ CRI90 98 CRI98	SP Spot 16° FL Flood 28° WFL Wide flood 36°	SO Standard output MO Medium output HO High output	AGL ² Anti-glare louver DL ² Diffusing lens SL ² Sculpture lens	Specify number of luminaires per run	

Lighting Element Ordering Example: HOL1-BL-30-90-SP-DL-3

*See page 9/consult factory

¹ Options only available for CRI90

² Maximum (1) accessory per fixture



Order codes:

KUCANA-80-LIG- _____ - _____ - _____ - SO- _____

kreon ligna 80		length	CCT		CRI	lumen source	qty
LIG	Ligna 80 in-cana Available in increments of 1/2". Minimum length: 12"- please consult the factory	Ligna length in inches . Use three numbers for example, 92 inches would be 092	27	40	90+ CRI90	SO Standard Output	Specify number of luminaires per run
			2700k	4000k	95+ CRI95		
LIGFL	Ligna 80 Flushed in-cana Available in increments of 1/2". Minimum length: 12"- please consult the factory.		30	TW ¹ tunable white			
			35 3000k	WD ¹ warm dim			

Lighting Element Ordering Example: KUCANA-40-LIG-024-30-90-SO

¹ Options only available for CRI90

UGR ≥ 19

Application	kreon cana is a minimal architectural lighting channel that can be equipped with a wide range of kreon LED luminaires. When recessed, kreon cana in white gives depth to ceiling planes whilst kreon cana in black provides a visible separation. When surface or pendant mounted, kreon cana becomes an architectural beam for lighting integration.
Mounting	kreon is available in recessed, surface, or pendant mounted.
Lighting Element	The holon 80 single or twin, prologe 80 single or twin, holon directional and ligno 80 in-cana can all be used in the cana 80 system. Mix and match.
Finish	cana 80 is available in black or white finish. Mix and match these colors. Cana 40 gives you the choice of having the same or different finish for the inside or outside channel and fixture.
Color temperatures / CRI	in 2700K, 3000K, 3500K an 4000K, Warm Dim range 1800K-3000K, tunable white range 1650K-8000K. CRI 90+, 95+, 98+.
Dimming	<p>Xicato Zhaga compliant LED module with Corrected Cold Phosphor Technology® and remote phosphor to limit color shift over time. Tight color consistency within 1x2 MacAdam Ellipses.</p> <p>For warm dim, Lumenetix Araya 5 LED module - 5 color chip array to stabilize coloring across full spectrum, with all 16408000K whites occurring fully on black body curve, maintaining 95CRI or better.</p> <p>Standard 0-10V dimming, universal voltage (120-277V), or TRIAC phase dimming (120V only). For non-dimming applications, cap off dimming wires. Additional dimming options available. See ordering codes for full list of options. Some lighting elements require different circuits. Tight color consistency with Max 2 SSD</p>
ETL / UL	<p>ETL listed for US and Canada.</p> <p>Track is UL listed, class 48Vdc @ 2.0A, UL listing # E490801, 20N</p> <p>Guarantee 36 months. 5 year warranty on LED and driver.</p>



Performance Data

KUCANA-80-HOLD (2700K)

CRI	Beam Angle					
	Spot 16° (SP)		Flood 28° (FL)		Wide Flood 36° (WFL)	
	Lumen (lm)	Watts (W)	Lumen (lm)	Watts (W)	Lumen (lm)	Watts (W)
90+	1641	30.2	2415	25.7	2415	25.7
98	1280	30.2	1610	20	1610	20

KUCANA-80-PRO#(2700K)

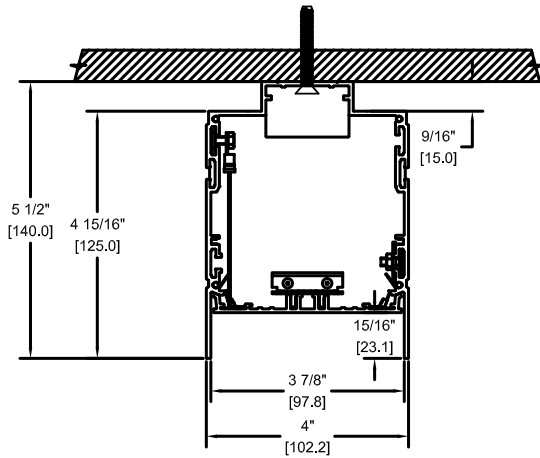
CRI	Beam Angle													
	Spot 16° (SP)		Flood 28° (FL)		Wide Flood 36° (WFL)		Superspot 18° (SSHO)		Spot 30° (SPHO)		Flood 36° (FLHO)		Wall Wash (WW)	
	Lumen (lm)	Watts (W)	Lumen (lm)	Watts (W)	Lumen (lm)	Watts (W)	Lumen (lm)	Watts (W)	Lumen (lm)	Watts (W)	Lumen (lm)	Watts (W)	Lumen (lm)	Watts (W)
90+	540	12	572	12	671	12	500	10	736	10	999	13	807	10
98	397	12	420	12	493	12	N/A	N/A	N/A	N/A	N/A	N/A	N/A	N/A

KUCANA-80-HOL#(2700K)

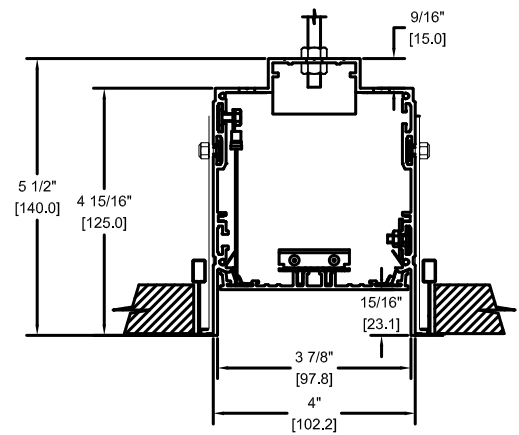
CRI	Beam Angle													
	Spot 16° (SP)		Flood 28° (FL)		Wide Flood 36° (WFL)		Superspot 18° (SSHO)		Spot 30° (SPHO)		Flood 36° (FLHO)		Wall Wash (WW)	
	Lumen (lm)	Watts (W)	Lumen (lm)	Watts (W)	Lumen (lm)	Watts (W)	Lumen (lm)	Watts (W)	Lumen (lm)	Watts (W)	Lumen (lm)	Watts (W)	Lumen (lm)	Watts (W)
90+	540	12	572	12	671	12	500	10	736	10	999	13	807	10
98	397	12	420	12	493	12	N/A	N/A	N/A	N/A	N/A	N/A	N/A	N/A

Mounting profiles

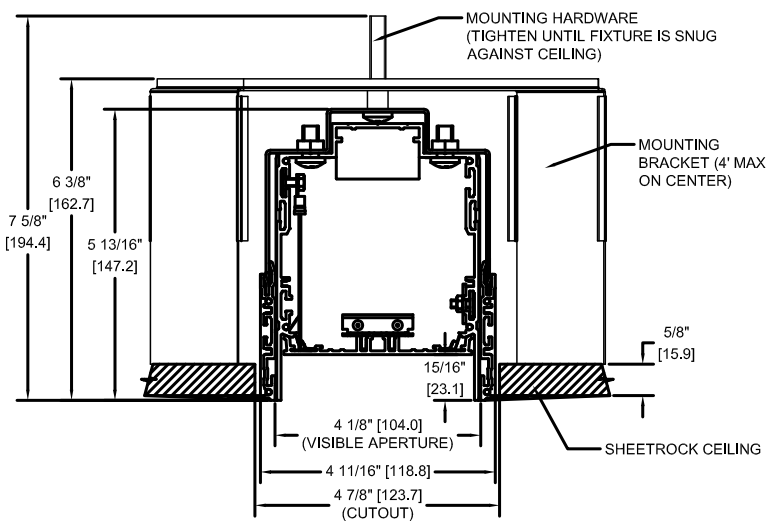
Surface mounted profile



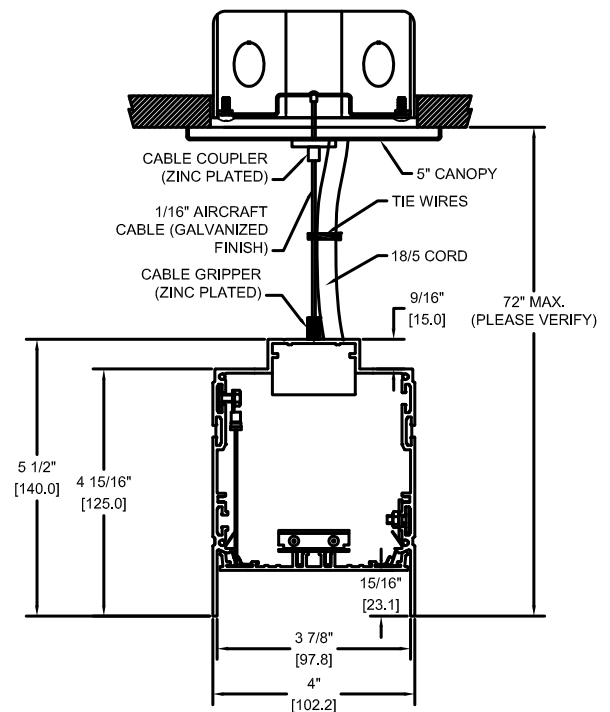
Tee grid profile



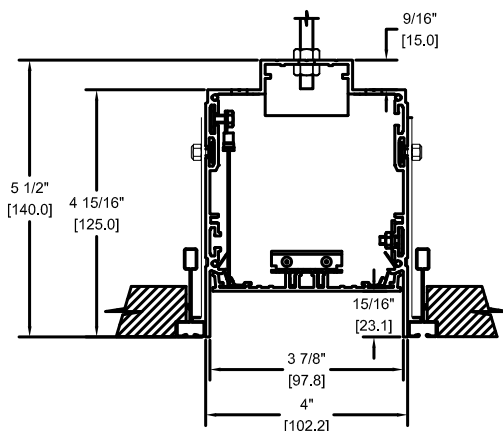
Recessed profile



Suspended profile



Slot grid profile



Construction



Black Prologe 80 in-Cana single in lack recessed mounted profile

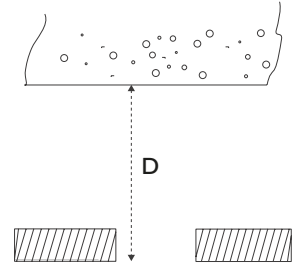
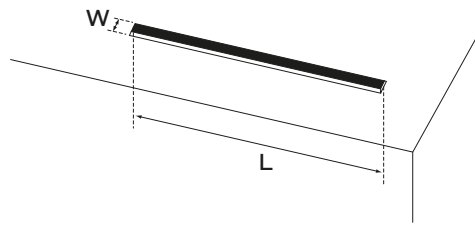
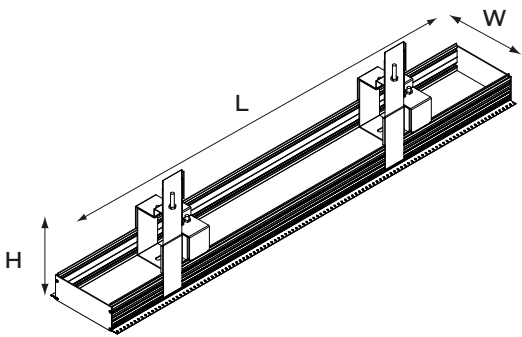


White Holon 80 in-Cana single in hite recessed mounted profile

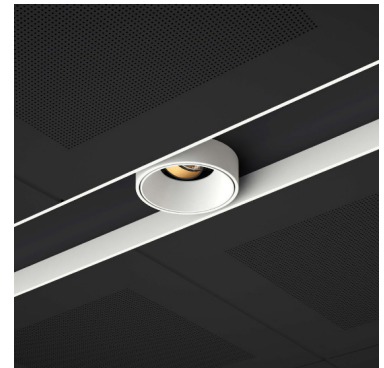


Schematic representation of assembly Prologe 80 single in-Cana: plasterkit + luminaire + louvre

Recessed
Plasterkit



cana 80 plasterkit		
Length	Width	Height
Length	5 15/16" (151mm)	7 3/16" (183mm)
plasterkit cutout		
Length	Width	Depth
Length	4 15/16" (125mm)	7 5/16" (185mm)



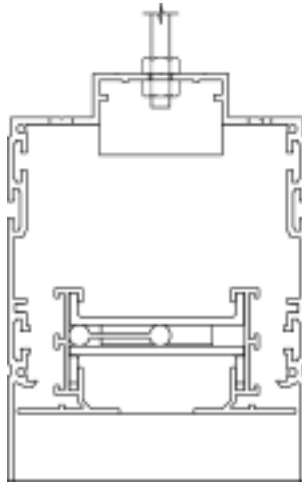
Color sample :
Channel finish: black
Channel faceplate finish: white
Fixture finish: white

* The minimum module spacing is the minimum center distance to the next in-Cana 40 module.			
**Holon 80 accessories:	AGL – Hexagonal Anti-Glare Louver	SC – Sculpture Lens	DL – Diffusing Lens

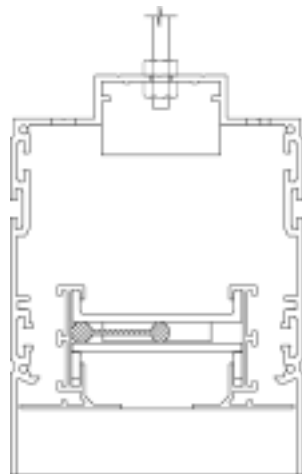
Integration of an Auxillary Equipment

Kreon cana is an architectural lighting channel that can be equipped with a wide range of accesocries. The architectural ceiling diffusers / air supply/ air return that are compatible with cana 80 profile are the models with 1" opening slot. Plaese consult the factory with any questions.

Sample Air Diffuser in cana 80



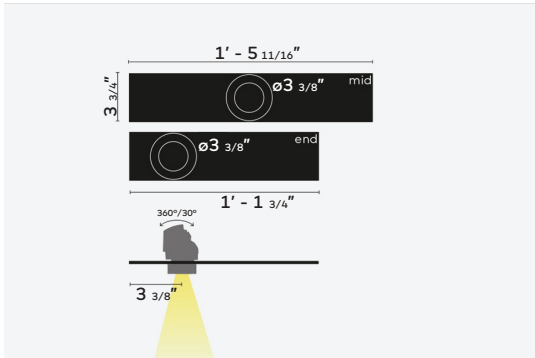
Sample fit for
Krueger air diffuser in cana 80
model:
DFL 10 (1" Slot)
Frame FF



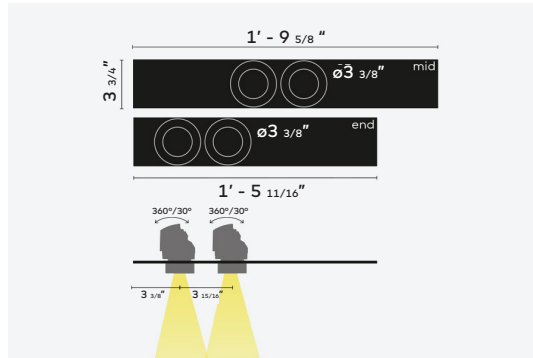
Sample fit for Titus air diffuser
in cana 80 model :
FL-10 (1" Slot)
Border type 66

Lighting and spacing

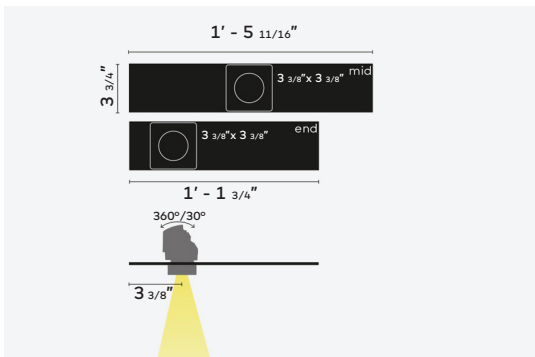
holon 80 single in-cana



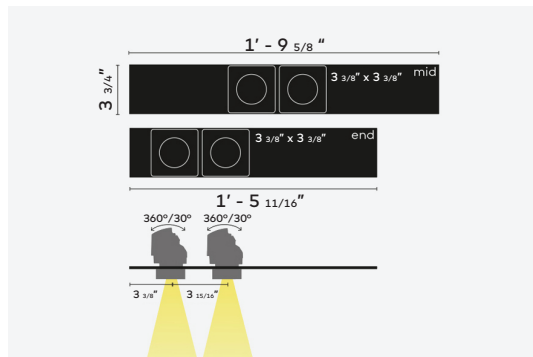
holon 80 twin in-cana



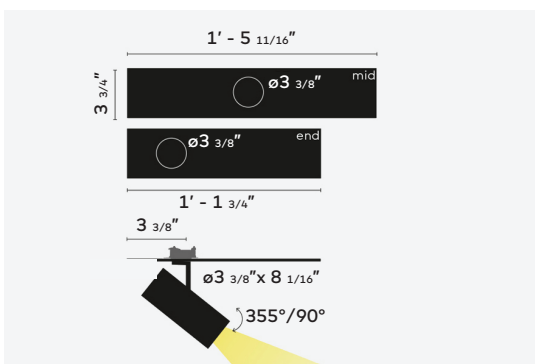
prologe 80 single in-cana



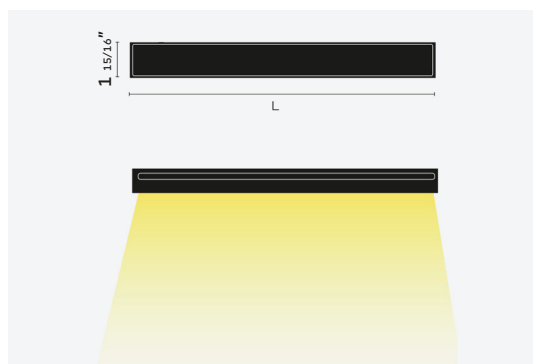
prologe 80 twin in-cana



holon 80 directional in-cana

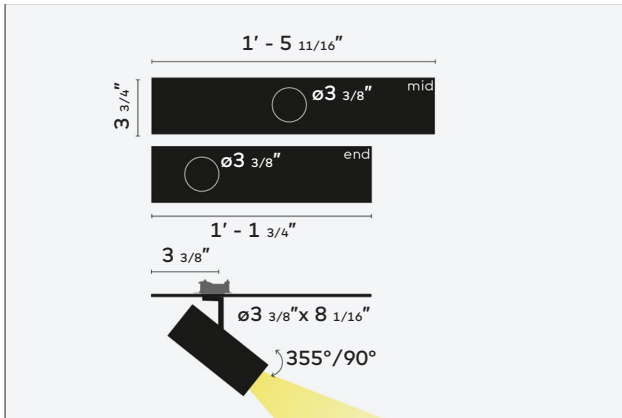


ligna 80 in-cana

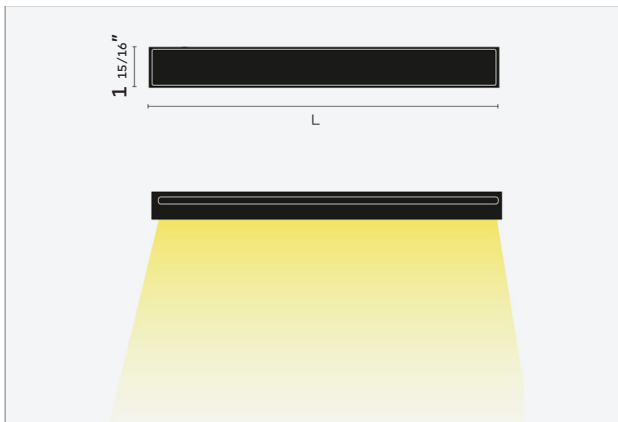


Lighting and spacing (driver included with these plates' dimensions)

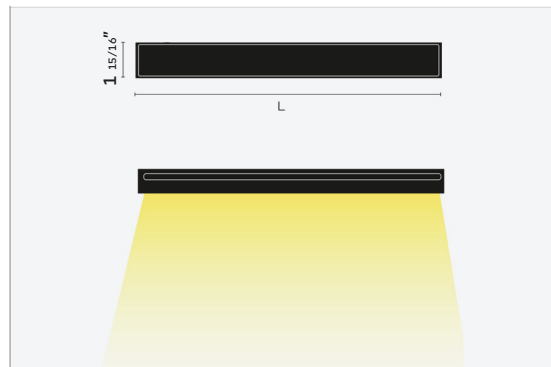
holon 80 directional in-cana



ligna 80 in-cana



ligna 80 flushed in-cana

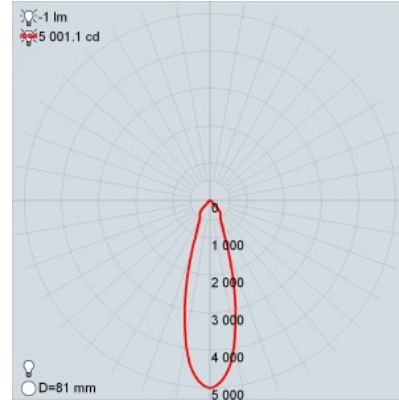


Photometry

holon 80 dir in cana



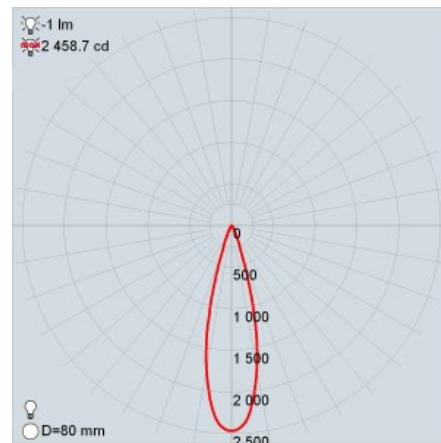
KUCANA-80-HOLD-WH-30-90-FL-SO
 Delivered lumens: 2147.9lm
 CCT: 3000K
 CRI: 90+



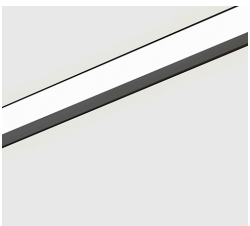
holon 80 in cana



KUCANA-80-HOL1-WH-27-83-FL
 Delivered lumens: 572lm
 CCT: 2700K
 CRI: 90+



ligna 80 in-cana



KUCANA-80-LIG-27-90-SO
 Delivered lumens: 1768.7lm
 CCT: 2700K
 CRI: 90+

