

The Cana 80 linear system offers the designer incredible flexibility to combine single, double, round, square, mono-point, or continuously lit linear segments in virtually any configuration imaginable within an architecturally detailed recessed channel system. Cana systems are made to order for each project. To customize each run, please use the configuration sequence below. Configurations can be remodeled in the field without removing the recessed channel, but may require additional components from Kreon. The Cana 80 series are made to measure to suit many architectural needs. Each run will consist of a linear aluminum profile/channel, and different types of lighting elements. To place an order, please follow these steps to specify each unique run or type. First choose the channel details (length, finish color, mounting condition, etc), then select details for each lighting element you want to specify. Transfer individual codes to section at bottom for final specification. Lighting configuration determined via shop drawings

Date: _____ Customer: _____

Project: _____

Type: _____ Qty: _____



Order codes:

KU-CANA80- _____ - _____ - _____ - _____ - _____ - _____ - _____							
kreon cana 80 system	channel length (in.)	channel finish	channel faceplate finish ¹	fixture finish ¹	mounting option	ceiling type	dimming
CANA80 CANA 102mm ~4" outer	Channel length in inches. Use three numbers, for example, 92 inches would be 092. (Consult factory for increments smaller than 1")	1 White 2 Black	IC1 White IC2 Black	F1 White F2 Black	RN Recessed no flange SF Surface Mount PE Pendant	DW Drywall/ sheetrock (trimless installation) GR ACT panels with grid ceiling OT Other, please consult factory	D1 ² Triac Phase Dim (10%); 120VAC only D2 0-10V dim (10%); 120/277VAC D2LD 0-10V Dimming (1%); 120/277VAC D3-3* Lutron Hi-Lume Dim to 1% for 3-wire; 120/277VAC D3- ECO* Lutron HiLume Dim to 1% for Ecosystem 5-wire; 120/277VAC D4 ³ D4- EldoLED 0-10V dim to dark (0%); 120/277VAC

Ordering Example: KUCANA80-120-2-IC2-F2-RN-DW-D2 + (see page 2) KUCANA-80-HOL1-BL-30-90-SP-DL-4

¹ Consult factory for custom RAL finish color options.
² System available with 90 degree or custom corner segments.
³ CEC & JA8 compliant



Order codes:

KUCANA-80-

kreon prologé 80 in cana	faceplate finish	fixture finish	CCT	CRI (MIN)	beam angle		qty
PRO1 prologé 80 single in cana <ul style="list-style-type: none"> • Fixture dimensions: 3.33" x 3.33 • Spacing/ custom size* • Rotation/ inclination 360°/30° 	IC1 White	F1 White	27 2700k	80+ CRI80	SP Spot 16°	AGL Anti-glare louver DL Diffusing lens SL Sculpture lens	Write down the desired number of luminaires per run
	IC2 Black	F2 Black	30 3000k 35 3500k 40 4000k TW** Tunable white WD** Warm dim	90+ CRI90 98 CRI98	FL Flood 28° WFL Wide flood 36°		
PRO2 prologé 80 twin in cana <ul style="list-style-type: none"> • Fixture dimensions: (3.33" x 3.33) x 2 • Spacing/ custom size* • Rotation/ inclination 360°/30° 					SSHO** Superspot High Output 18°		
PRO3 prologé 80 triple in cana <ul style="list-style-type: none"> • Fixture dimensions: (3.33" x 3.33) x 3 • Spacing/ custom size* • Rotation/ inclination 360°/30° 					SPHO** Spot High Output 30°		
PRO1 HO** prologé 80 single in cana High Output <ul style="list-style-type: none"> • Fixture dimensions: 3.33" x 3.33 • Spacing/ custom size* • Rotation/ inclination 360°/30° 					FLHO** Flood High Output 50°		
PRO2 HO** prologé 80 twin in cana High Output <ul style="list-style-type: none"> • Fixture dimensions: (3.33" x 3.33) x 2 • Spacing/ custom size* • Rotation/ inclination 360°/30° 					WW** WallWash		
PRO3 HO** prologé 80 triple in cana High Output <ul style="list-style-type: none"> • Fixture dimensions: (3.33" x 3.33) x 3 • Spacing/ custom size* • Rotation/ inclination 360°/30° 					Optic (only available with FX light)		

*Please see page 9 / consult the factory

**Options only available for 90 CRI configuration



Order codes:

KUCANA-80- _____ - _____ - _____ - _____ - _____ - _____ - _____ - _____

kreon holon 80 in cana		faceplate finish	fixture finish	CCT		CRI (MIN)	beam angle	accessory	qty
HOL1	holon 80 single in-cana <ul style="list-style-type: none"> • Fixture dimensions: 3.33" diameter • Rotation/ inclination 360°/30° • Spacing/ custom size* 	IC1 White	F1 White	27	2700k	80+	SP	AGL	Write down the desired number of luminaires per run
		IC2 Black	F2 Black	30	3000k	CRI80	Spot 16°	AGL	
				35	3500k	90+	FL	DL	
				40	4000k	CRI90	Flood 28°	Diffusing lens	
				TW**	Tunable white	98	WFL	SL	
HOLT	holon 80 twin in-cana <ul style="list-style-type: none"> • Fixture dimensions: (3.33" diameter) x 2 • Rotation/ inclination 360°/30° • Spacing/ custom size* 								
HOL3	holon 80 triple in-cana <ul style="list-style-type: none"> • Fixture dimensions: (3.33" diameter) x 3 • Rotation/ inclination 360°/30° • Spacing/ custom size* 						SSHO** Superspot High Output 18°		
HOL1 HO**	holon 80 single in cana High Output <ul style="list-style-type: none"> • Fixture dimensions: 3.33" diameter • Rotation/ inclination 360°/30° • Spacing/ custom size* 						SPHO** Spot High Output 30°		
HOLT HO**	holon 80 twin in cana High Output <ul style="list-style-type: none"> • Fixture dimensions: (3.33" diameter) x 2 • Rotation/ inclination 360°/30° • Spacing/ custom size* 						FLHO** Flood High Output 50°		
HOL3 HO**	holon 80 triple in cana High Output <ul style="list-style-type: none"> • Fixture dimensions: (3.33" diameter) x 3 • Rotation/ inclination 360°/30° • Spacing/ custom size* 						WW** WallWash Optic (only available with FX light)		

Lighting Element Ordering Example: KUCANA-80-HOL1-BL-30-90-SP-DL-3

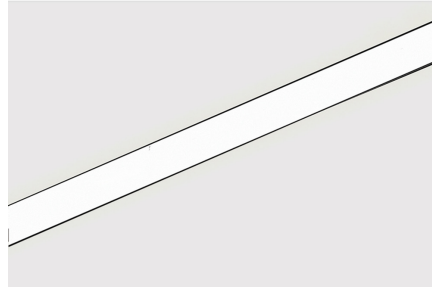
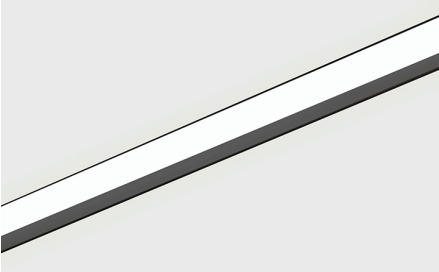
*Please see page 9 / consult the factory
 **Options only available for 90 CRI configuration



Order codes:

KUCANA-80-HOLD-									
kreon holon 80 in cana	faceplate finish	fixture finish	CCT	CRI (MIN)	beam angle	lumen source	accessory	qty	
HOLD holon 80 directional in cana <ul style="list-style-type: none"> Minimum Spacing*: 4" on center Rotation/inclination: 355°/90° Size: 3 1/4" dia x 8" H 	IC1 White IC2 Black	F1 White F2 Black	27 2700k 30 3000k 35 3500k 40 4000k WD** Warm dim TW** Tunable white	80+ CRI80 90+ CRI90 98 CRI98	SP Spot 16° FL Flood 28° WFL Wide flood 36°	SO Standard output MO Medium output HO High output	AGL Anti-glare louver DL Diffusing lens SL Sculpture lens	Write down the desired number of luminaires per run	

Lighting Element Ordering Example: HOL1-BL-30-90-SP-DL-3



Order codes:

KUCANA-80-LIG-							
kreon ligna 80	length	CCT	CRI	lumen source	qty		
LIG Ligna 80 in-cana Electrical Data/Lumen Source: 1067lm @8.1W (8.1W/ft @80CRI, 8.1W/ft @90CRI). Available in increments of 1/2". Minimum length: 12"- please consult the factory	Ligna length in inches . Use three numbers for example, 92 inches would be 092	27 2700k	80+ CRI80	SO Standard Output 1100lm/ft.	Write down the desired number of luminaires per run		
30 3000k		90+ CRI90					
LIGFL Ligna 80 Flushed in-cana Electrical Data/Lumen Source: 1067lm @8.1W (8.1W/ft @80CRI, 8.1W/ft @90CRI). Available in increments of 1/2". Minimum length: 12"- please consult the factory.		35 3000k	95+ CRI95				

Lighting Element Ordering Example: KUCANA-40-LIG-024-30-90-SO

**Options only available for 90 CRI configuration

UGR ≥ 19

Application	kreon cana is a minimal architectural lighting channel that can be equipped with a wide range of kreon LED luminaires. When recessed, kreon cana in white gives depth to ceiling planes whilst kreon cana in black provides a visible separation. When surface or pendant mounted, kreon cana becomes an architectural beam for lighting integration.
Mounting	kreon is available in recessed, surface, or pendant mounted.
Lighting Element	The holon 80 single or twin, prologe 80 single or twin, holon directional and ligno 80 in-cana can all be used in the cana 80 system. Mix and match
Finish	cana 80 is available in black or white finish. Mix and match these colors. Cana 40 gives you the choice of having the same or different finish for the inside or outside channel and fixture.
Color temperatures / CRI	in 2700K, 3000K, 3500K an 4000K, Warm Dim range 1800K-3000K, tunable white range 1650K-8000K. CRI 85+, 95+, 98+
Dimming	<p>Xicato Zhaga compliant LED module with Corrected Cold Phosphor Technology® and remote phosphor to limit color shift over time. Tight color consistency within 1x2 MacAdam Ellipses.</p> <p>For warm dim, Lumenetix Araya 5 LED module - 5 color chip array to stabilize coloring across full spectrum, with all 16408000K whites occurring fully on black body curve, maintaining 95CRI or better.</p> <p>Standard 0-10V dimming, universal voltage (120-277V), or TRIAC phase dimming (120V only). For non-dimming applications, cap off dimming wires. Additional dimming options available. See ordering codes for full list of options. Some lighting elements require different circuits. Tight color consistency with Max 2 SSD</p>
ETL / UL	<p>ETL for US and Canada.</p> <p>Track is UL listed, class 48Vdc @ 2.0A, UL listing # E490801, 20N</p> <p>Guarantee 36 months. 5 year warranty on LED and driver</p>



LUMENS CHART

KUCANA-80-HOLD (2700K)

CRI	Beam Angle					
	Spot 16° (SP)		Flood 28° (FL)		Wide Flood 36° (WFL)	
	Lumen (lm)	Watts (W)	Lumen (lm)	Watts (W)	Lumen (lm)	Watts (W)
80+	1641	30.2	2415	25.7	2415	25.7
90+	1641	30.2	2415	25.7	2415	25.7
98	1280	30.2	1610	20	1610	20

KUCANA-80-PRO#(2700K)

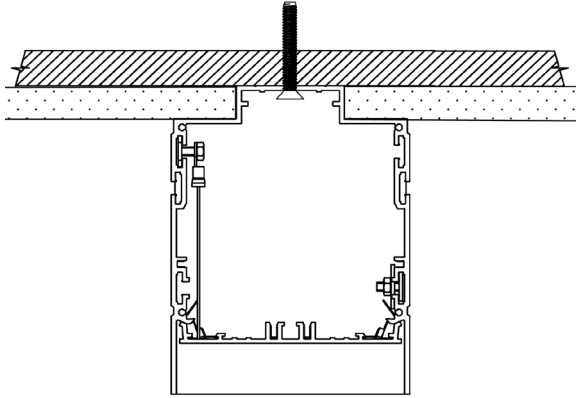
CRI	Beam Angle													
	Spot 16° (SP)		Flood 28° (FL)		Wide Flood 36° (WFL)		Superspot 18° (SSHO)		Spot 30° (SPHO)		Flood 36° (FLHO)		Wall Wash (WW)	
	Lumen (lm)	Watts (W)	Lumen (lm)	Watts (W)	Lumen (lm)	Watts (W)	Lumen (lm)	Watts (W)	Lumen (lm)	Watts (W)	Lumen (lm)	Watts (W)	Lumen (lm)	Watts (W)
80+	540	12	572	12	671	12	N/A	N/A	N/A	N/A	N/A	N/A	N/A	N/A
90+	540	12	572	12	671	12	500	10	736	10	999	13	807	10
98	397	12	420	12	493	12	N/A	N/A	N/A	N/A	N/A	N/A	N/A	N/A

KUCANA-80-HOL#(2700K)

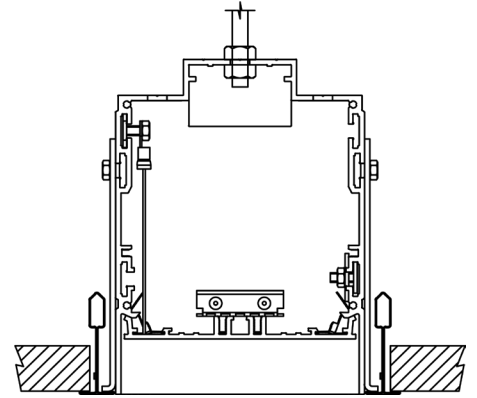
CRI	Beam Angle													
	Spot 16° (SP)		Flood 28° (FL)		Wide Flood 36° (WFL)		Superspot 18° (SSHO)		Spot 30° (SPHO)		Flood 36° (FLHO)		Wall Wash (WW)	
	Lumen (lm)	Watts (W)	Lumen (lm)	Watts (W)	Lumen (lm)	Watts (W)	Lumen (lm)	Watts (W)	Lumen (lm)	Watts (W)	Lumen (lm)	Watts (W)	Lumen (lm)	Watts (W)
80+	540	12	572	12	671	12	N/A	N/A	N/A	N/A	N/A	N/A	N/A	N/A
90+	540	12	572	12	671	12	500	10	736	10	999	13	807	10
98	397	12	420	12	493	12	N/A	N/A	N/A	N/A	N/A	N/A	N/A	N/A

Mounting profiles

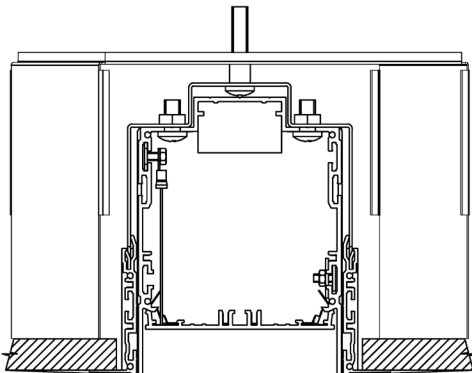
Surface mounted profile



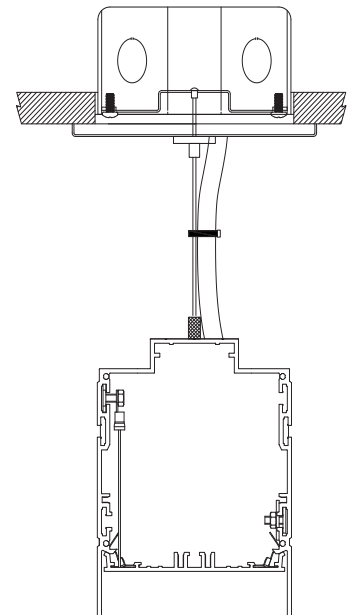
Grid ceiling profile



Recessed profile



Suspended profile



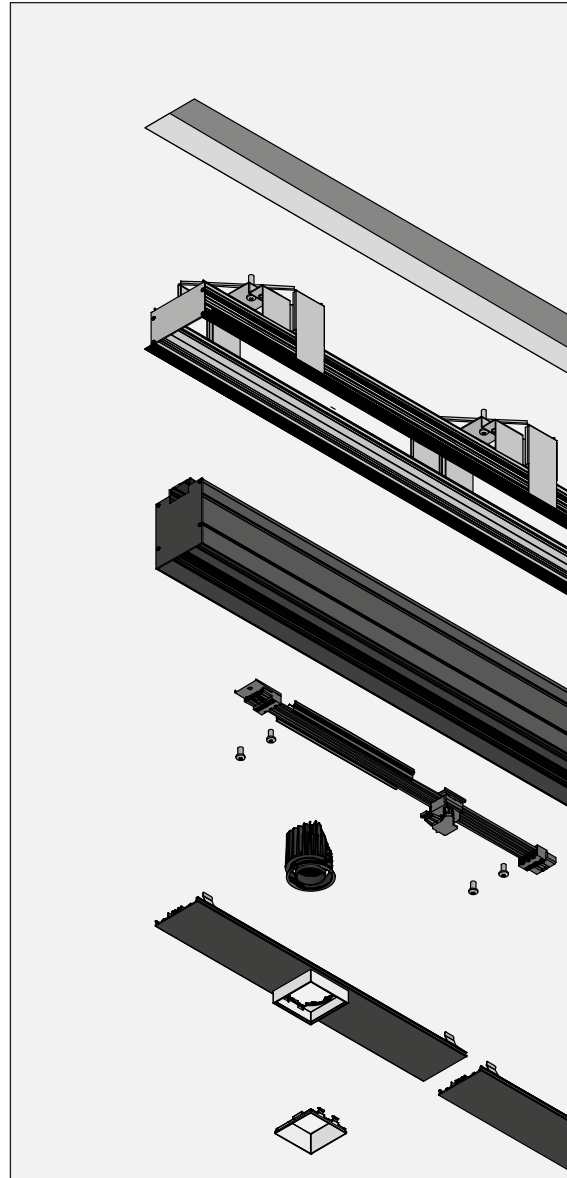
Construction



Black Prologe 80 in-Cana single in lack recessed mounted profile



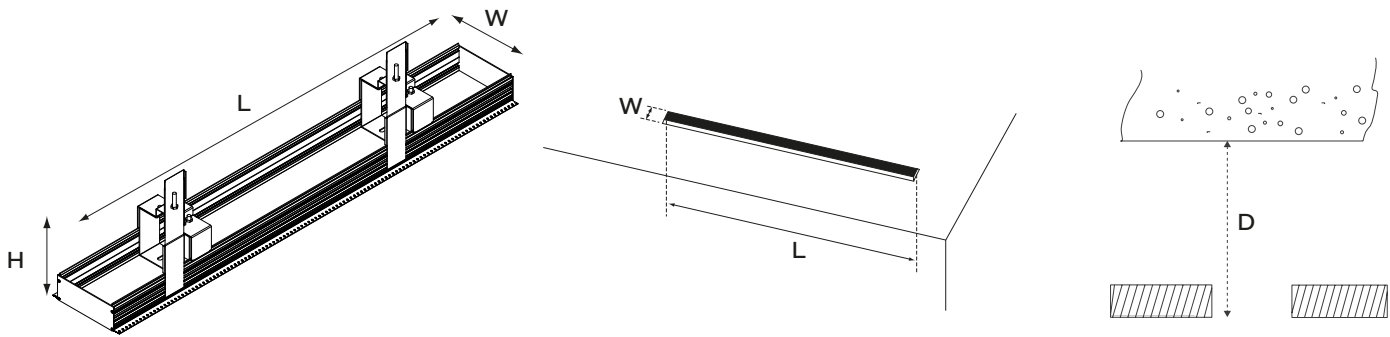
White Holon 80 in-Cana single in hite recessed mounted profile



Schematic representation of assembly Prologe 80 single in-Cana: plasterkit + luminaire + louvre

Recessed

Plasterkit



cana 80 plasterkit		
Length	Width	Height
Length	5 ¹⁵ / ₁₆ " (151mm)	7 ³ / ₁₆ " (183mm)
plasterkit cutout		
Length	Width	Depth
Length	4 ¹⁵ / ₁₆ " (125mm)	7 ³ / ₁₆ " (185mm)

Color sample

Channel finish
black
Channel
faceplate finish
white
Fixture finish
white

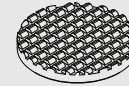
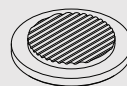
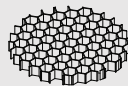


Recessed

Plasterkit

* The minimum module spacing is the minimum center distance to the next in-Cana 40 module.

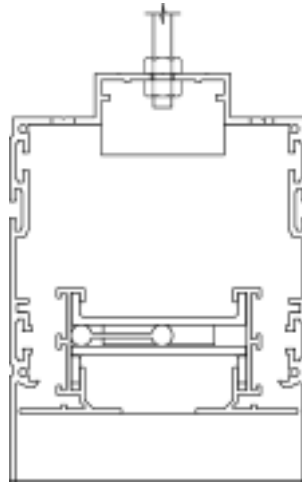
Holon 80 accessories: **AGL – Hexagonal Anti-Glare Louver **SC – Sculpture Lens** **DL – Diffusing Lens**



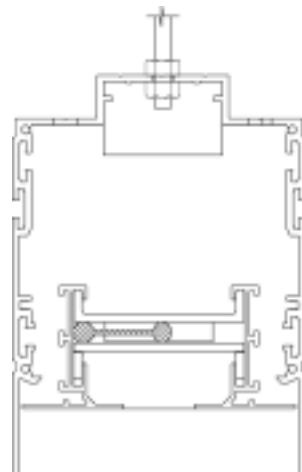
Integration of an Auxillary Equipment

Kreon cana is an architectural lighting channel that can be equipped with a wide range of accesories. The architectural ceiling diffusers / air supply/ air return that are compatible with cana 80 profile are the models with 1" opening slot. Plaese consult the factory with any questions.

SAMPLE AIR DIFFUSERS THAT FIT INTO CANA80



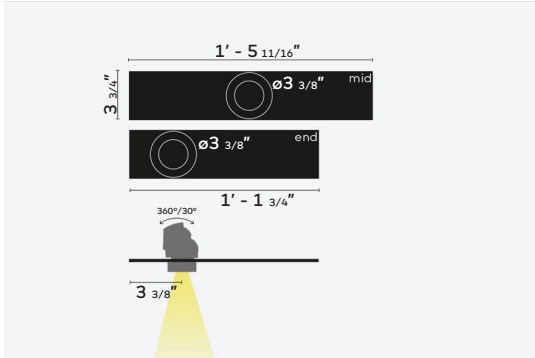
**SAMPLE FIT FOR
KRUEGER AIR DIFFUSER
IN CANA 80
MODEL:
DFL 10 (1" Slot)
FRAME FF**



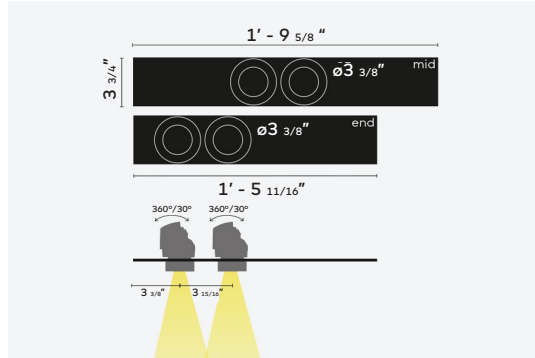
**SAMPLE FIT FOR
TITUS AIR DIFFUSER
IN CANA 80 MODEL :
FL-10 (1" Slot)
BORDER TYPE 66**

Lighting and spacing

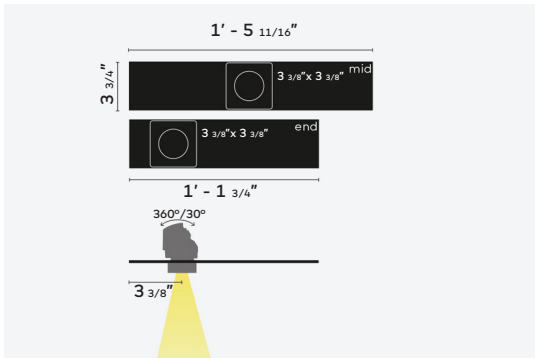
holon 80 single in-cana



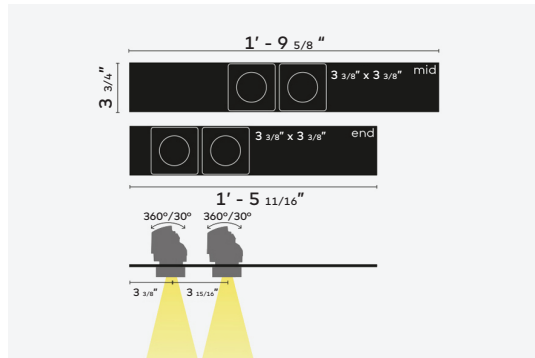
holon 80 twin in-cana



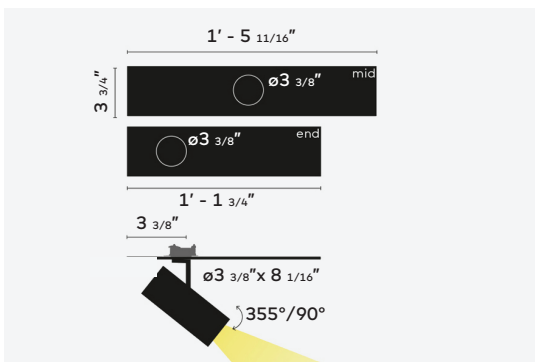
prologe 80 single in-cana



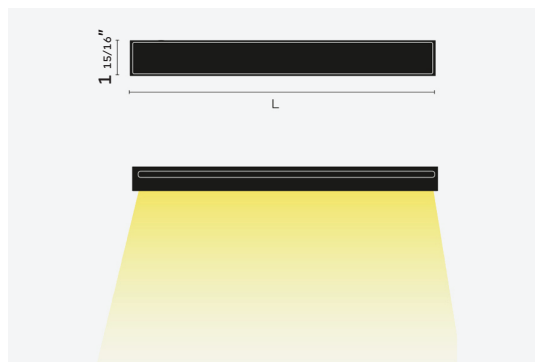
prologe 80 twin in-cana



holon 80 directional in-cana

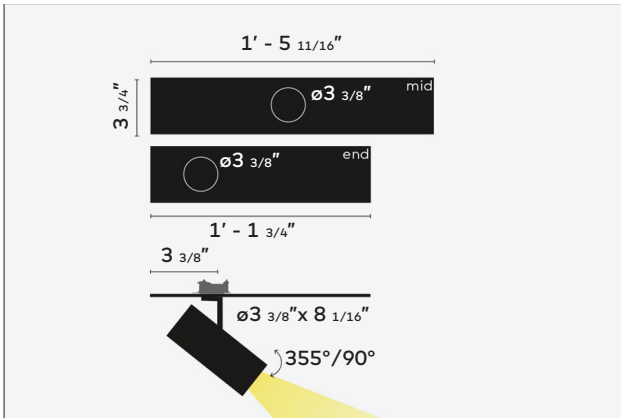


ligna 80 in-cana

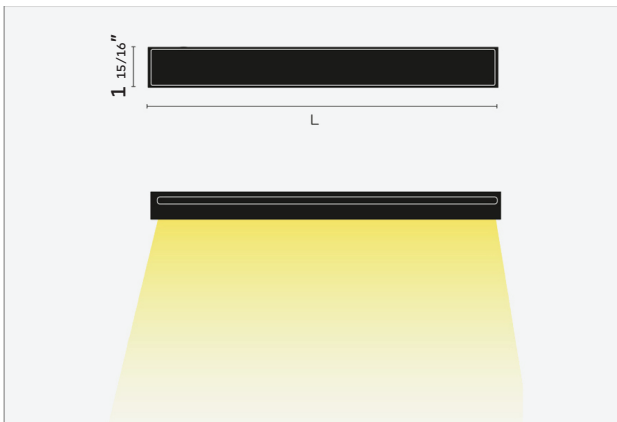


Lighting and spacing (driver included with these plates' dimensions)

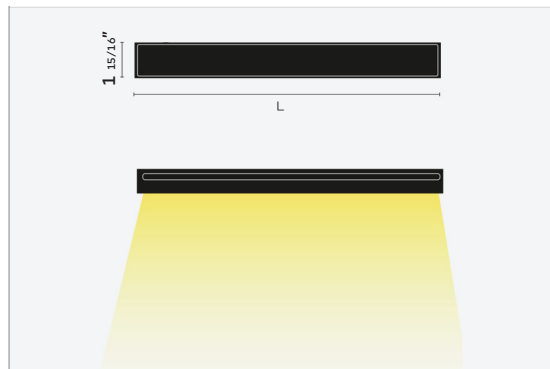
holon 80 directional in-cana



ligna 80 in-cana



ligna 80 flushed in-cana

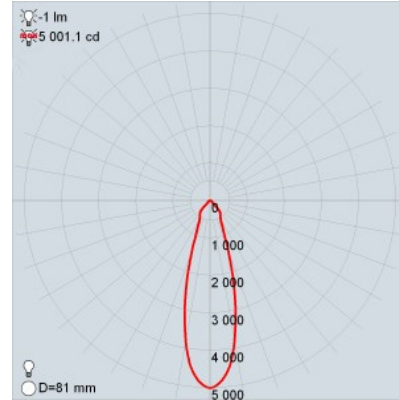


Photometry

holon 80 dir in cana



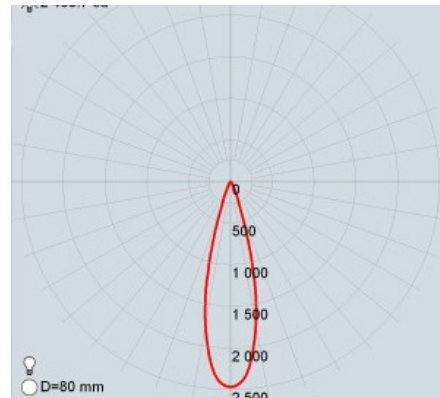
KUCANA-80-HOLD-WH-30-90-FL-SO
 Delivered lumens: 2147.9lm
 CCT: 3000K
 CRI: 90+



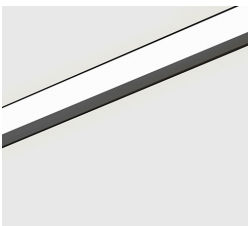
holon 80 in cana



KUCANA-80-HOL1-WH-27-83-FL
 Delivered lumens: 572lm
 CCT: 2700K
 CRI: 83+



ligna 80 in-cana



KUCANA-80-LIG-27-90-SO
 Delivered lumens: 442.25 lm
 CCT: 2700K
 CRI: 90+

