

Date: _____ Customer: _____

Project: _____

Type: _____ Qty: _____



Cana, creating rhythms and patterns.

kreon cana is a minimal architectural lighting channel that can be equipped with a wide range of LED luminaires. When recessed, kreon cana in white gives depth to ceiling planes whilst kreon cana in black provides a visible separation or an impression of a void beyond. When surface or pendant mounted, kreon cana provides an architectural beam for lighting integration.

kreon cana 120 can accommodate kreon holon circular, kreon prologe square semi-recessed spotlights, kreon holon surface spotlights, and kreon ligna continuous lines of light. The wide choice of luminaires can be mixed and arranged to suit the various demands and present illumination where it is required..

Any combination of light modules can be specified in a made to measure channel creating a unique installation for every project. Channel runs are delivered pre-assembled for ease of installation on site guaranteeing the finished product is exactly as designed.

Cana 120 Tools of Light (other options available. See Ordering Options section for full range)

Construction

Linear Profile & Cover Plate – Made from extruded aluminum

Cana 120 Luminaires – Made from die cast aluminum alloy. Integrated optic

Finishes for Cana 120 Linear Profile

Matte black or white powder coated vertical run with matte black or white coverplate.

Finishes for Cana 120 Linear Channel and Luminaires

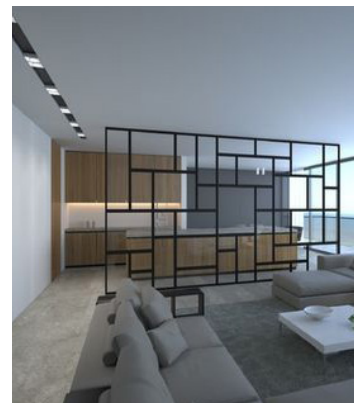
- White (RAL 9016)
- Black (RAL 9004)
- RAL color finish on request

Mounting Options

Recessed, surface, or pendant mounted



Holon 120 Twin in-Cana, recessed



Prologe 120 twin in-Cana recessed

Electrical Characteristics

LED Specification

Cana 120 Luminaires — Xicato Zhaga compliant LED module with Corrected Cold Phosphor Technology® and remote phosphor to limit color shift over time. Tight color consistency within 1x2 MacAdam Ellipses.

For Warm Dim and Tunable White Options

Lumenetix Araya 5 LED module - 5 color chip array to stabilize coloring across

full spectrum, with all 1640-8000K whites occurring fully on black body curve, maintaining 95CRI or better. Tight color consistency with Max 2 SSD.

LED Life – L80 greater than 50,000 hours.

Correlated Color Temperature (CCT)

Available in 2700K, 3000K, 3500K and 4000K, Warm Dim range 1800K-3000K, tunable white range 1650K-8000K, CRI 85+, 95+, 98+

Gear

Standard 0-10V dimming, universal voltage (120-277V), or TRIAC phase dimming (120V only). For non-dimming applications, cap off dimming wires. Additional dimming options available. See ordering codes for full list of options. Some lighting elements require different circuits.

Ordering Codes and Options

The Cana 120 linear system offers the designer incredible flexibility to combine single, double, round, square, or mono-point luminaires in virtually any configuration imaginable within an architecturally detailed recessed channel system. Cana systems are made to order for each project. To customize each run, please use the configuration sequence below. Configurations can be remodeled in the field without removing the recessed channel, but may require additional components from Kreon. Configurations are not designed to be adjusted in field by the end user.

The Cana 120 series are made to measure to suit many architectural needs. Each run will consist of a linear aluminum profile/channel, and different types of lighting elements. To place an order, please follow these steps to specify each unique run or type. First choose the channel details (length, finish color, mounting condition, etc), then select details for each lighting element you want to specify. Transfer individual codes to section at bottom for final specification. Lighting configuration determined via shop drawings.

Cana 120 Channel Options

Combine with ordering codes for lighting elements on pages 3-4. Write down your choices on the grey boxes.

KUCANA -	120 -	_____ -	_____ -	_____ -	_____ -	_____ -	_____ -	_____ -	_____ -
KREON CANA LINEAR SYSTEM	APERTURE SIZE	CHANNEL LENGTH (IN)	CHANNEL FINISH*	CHANNEL FACEPATE FINISH*	FIXTURE FINISH*	MOUNTING OPTION	CEILING TYPE	DIMMING	NUMBER OF CIRCUITS
	120 mm (internal) ~4" outer dimension	Channel length in inches. Use three numbers, for example, 92 inches would be 092. (Consult factory for increments smaller than 1")	1 – White 2 – Black Finish color for vertical panels and exterior (if visible).	iC1 – White iC2 – Black	F1 – White F2 – Black	RN – Recessed, no flange SF – Surface Mounted	DW – Drywall/ sheetrock (trimless installation) GR – ACT panels with grid ceiling OT – Other, please consult factory	D1 – Triac Phase Dim (120V only) D2 – 0-10V dim (10%) (120V – 277V) D2LD – 0-10V dim (1%) (120-277V) D3 – Lutron Hi-Lume 1% dim (consult factory for 2-wire, 3-wire, or digital control) D4 – EldoLED 0% Dim to Dark (multiple circuits per run possible)	Number of circuits or switch groups for this run
KUCANA -	120 -	_____ -	_____ -	_____ -	_____ -	_____ -	_____ -	_____ -	_____ -

*Consult factory for custom RAL finish color options.

System available with 90 degree or custom corner segments. Consult factory for details and configuration



Cana luminaires lend support for LEED credits and certification.

Cana 120 – 6" Wide Aperture Linear Channel System



Lighting Element Ordering Codes

Combine with ordering codes for linear segments on page 2. Write down your choices on the grey boxes.

	FINISH COLOR	CCT	CRI (MIN)	OUTPUT	BEAM ANGLE	QUANTITY PER RUN	ACCESSORIES
	WHT BLK	27 2700K 30 3000K 35 3500K 40 4000K WD warm dim TW tunable white	85 95 ** 98	SO HO <i>(HO not available in SP beam angle)</i>	SP 16° NR 28° FL 36°	(Write down desired number of fixtures per run)	SL Softening Lens AG Hex Anti-Glare Louver DL Diffusing Lens
KUCANA-120-PRO1							
Electrical Data: SO: 1300 lm @ 12W / 965 lm @ 10.9W for 98+ CRI (15.6W with SP beam) HO: 2000 lm @ 19.5W / 1400 lm @ 17W for 98 CRI (not avail with SP beam) Minimum Spacing*: 7" on center • Rotation/inclination: 360°/30° • Size: 4 3/4" x 4 3/4" ** 95 CRI for WD, TW, options only							

	FINISH COLOR	CCT	CRI (MIN)	OUTPUT	BEAM ANGLE	QUANTITY PER RUN	ACCESSORIES
	WHT BLK	27 2700K 30 3000K 35 3500K 40 4000K WD warm dim TW tunable white	85 95 ** 98	SO HO <i>(HO not available in SP beam angle)</i>	SP 16° NR 28° FL 36°	(Write down desired number of fixtures per run)	SL Softening Lens AG Hex Anti-Glare Louver DL Diffusing Lens
KUCANA-120-PROT							
Electrical Data: SO: 1300 lm @ 12W / 965 lm @ 10.9W for 98+ CRI (15.6W with SP beam) HO: 2000 lm @ 19.5W / 1400 lm @ 17W for 98 CRI (not avail with SP beam) Minimum Spacing*: 7" on center • Rotation/inclination: 360°/30° • Size: 11 1/2" x 4 3/4" ** 95 CRI for WD, TW, CT options only							

	FINISH COLOR	CCT	CRI (MIN)	OUTPUT	BEAM ANGLE	QUANTITY PER RUN	ACCESSORIES
	WHT BLK	27 2700K 30 3000K 35 3500K 40 4000K WD warm dim TW tunable white	85 95 ** 98	SO HO <i>(HO not available in SP beam angle)</i>	SP 16° NR 28° FL 36°	(Write down desired number of fixtures per run)	SL Softening Lens AG Hex Anti-Glare Louver DL Diffusing Lens
KUCANA-120-HOL1							
Electrical Data: SO: 1300 lm @ 12W / 965 lm @ 10.9W for 98+ CRI (15.6W with SP beam) HO: 2000 lm @ 19.5W / 1400 lm @ 17W for 98 CRI (not avail with SP beam) Minimum Spacing*: 4 3/4" diameter • Rotation/inclination: 360°/30° • Size: 11 1/2" x 4 3/4" ** 95 CRI for WD, TW, options only							

	FINISH COLOR	CCT	CRI (MIN)	OUTPUT	BEAM ANGLE	QUANTITY PER RUN	ACCESSORIES
	WHT BLK	27 2700K 30 3000K 35 3500K 40 4000K WD warm dim TW tunable white	85 95 ** 98	SO HO <i>(HO not available in SP beam angle)</i>	SP 16° NR 28° FL 36°	(Write down desired number of fixtures per run)	SL Softening Lens AG Hex Anti-Glare Louver DL Diffusing Lens
KUCANA-120-HOLT							
Electrical Data: SO: 1300 lm @ 12W / 965 lm @ 10.9W for 98+ CRI (15.6W with SP beam) HO: 2000 lm @ 19.5W / 1400 lm @ 17W for 98 CRI (not avail with SP beam) Minimum Spacing*: 4 3/4" diameter • Rotation/inclination: 360°/30° • Size: 11 1/2" x 4 3/4" ** 95 CRI for WD, TW, options only							

	FINISH COLOR	CCT	CRI (MIN)	OUTPUT
	WHT BLK	27 2700K 30 3000K 35 3500K 40 4000K WD warm dim TW tunable white	80¹ 90²	SO Standard Output
KUCANA-120-LIG				
Electrical Data: 18.3w/ft @ 80 cri, 18.3w/ft @ 90 cri • Avail in 5.5", 11", 24" increments. 11"-24" – consult factory. ¹ 2700K not available with CRI80 * For WD, TW options : 1,000LM/FT @ 10W/FT for 95 CRI. Avail. in 11", 22" or 24" increments.				



Cana luminaires lend support for LEED credits and certification.

Lighting Element Ordering Codes

Combine with ordering codes for linear segments on page 2. Write down your choices on the grey boxes.

Lighting Elements Ordering Codes Summary <i>(leave blank if not used)</i>		
Prologe 120 Single in-Cana:	KUCANA-120-PRO1 -	_____ - _____ - _____ - _____ - _____ - _____
Prologe 120 Twin in-Cana	KUCANA-120-PROT -	_____ - _____ - _____ - _____ - _____ - _____
Holon 120 Single in-Cana	KUCANA-120-HOL1 -	_____ - _____ - _____ - _____ - _____ - _____
Holon 120 Twin in-Cana	KUCANA-120-HOLT -	_____ - _____ - _____ - _____ - _____ - _____
Ligna 120 in-Cana	KUCANA-120-LIG -	_____ - _____ - _____ - _____ - _____ - _____
* The minimum module spacing is the minimum center distance to the next in-Cana 120 module.		



Cana luminaires lend support for LEED credits and certification.

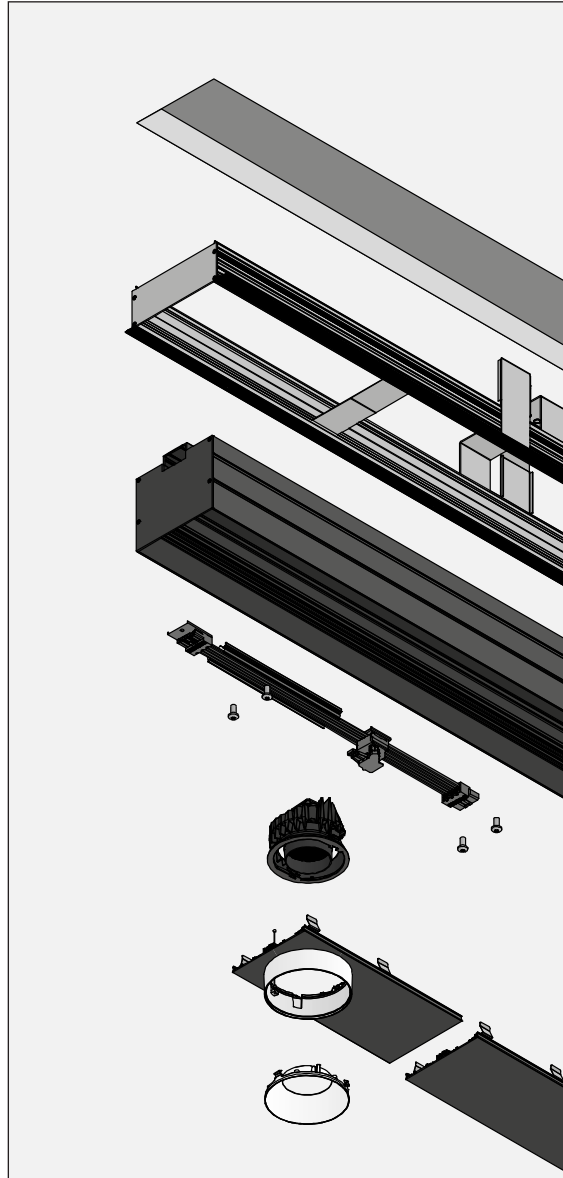
Construction



White Prologe 120 in-Cana single in black recessed mounted profile

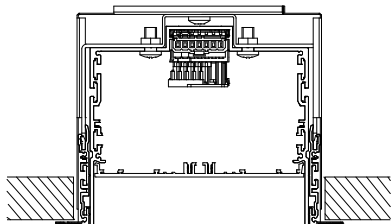


Black Holon 120 in-Cana single in black recessed mounted profile



Schematic representation of assembly Holon 120 single in-Cana: profile + luminaire + louvre

Cana 120 recessed mounted profile



L x W x H
L x 6" x 5 1/2"



Cana luminaires lend support for LEED credits and certification.