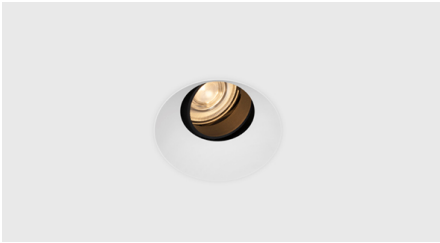


Date: _____ Customer: _____

Project: _____

Type: _____ Qty: _____

Aplis 80 in-line



Aplis 80 Inline dropped louver



Aplis 80 wall wash



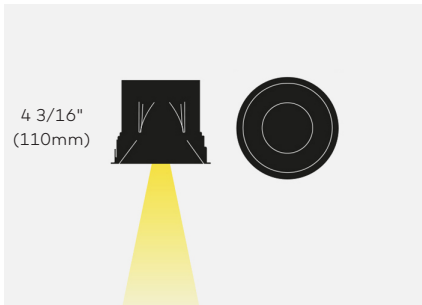
KU _____ - _____ - _____ - _____ - _____ - _____ - _____ - _____ - _____ - _____ - _____ - _____

kreon aplis	light direction	beam angle	CCT	source lumen package	CRI	trim / louver finish	dimming	mounting options	intended voltage ⁴	optional accessories
APL80 - For flanged install in wood, sheetrock, plaster, or ACT ceiling 3 3/4" with flange AIL80 - In-Line for trimless/flangeless install in drywall or plaster ceiling 3 1/8" in-Line AIL80DL⁵ - In-Line with dropped louver for trimless/flangeless with 3 1/8" in-Line AIL80SG - In-Line w/ Shadow gap ~3 1/8" in-Line	DR - Directional Adjustable w/ 30° Tilt	NR - Narrow 30° (combine w/diffusing lens for wider distribution)	27 - 2700K 30 - 3000K 35 - 3500K	SO - Standard Output, 12W (Up to 1300lm source for 27, 30, 35, 40 and DW; 1100lm source for TW)	Standard 80 - 80+ min CRI 98 - 98+ min CRI	WHT - White BLK - Black GRY^{1,3} - Grey (Inline Only)	D1 - Triac Phase Dim (10%); 120VAC only D2 - 0-10V dim (10%); 120/277VAC D2LD - 0-10V Dimming (1%); 120/277VAC D3-2 - Lutron Hi-Lume Dim to 1% for 2-wire; 120VAC D3-3 - Lutron Hi-Lume Dim to 1% for 3-wire; 120/277VAC D3-ECO - Lutron HiLume Dim to 1% for Ecosystem 5-wire; 120/277VAC D4¹¹ - EidoLED 0-10V dim to dark (0%); 120/277VAC (with PN or RM mounting option only)	PN⁷ - non-IC fixture tray/pan PNB⁷ - non-IC fixture tray/pan includes butterfly brackets RM - Remodel (no backbox, LV wiring in whip to driver box) NIC - Non-IC Backbox IC - IC rated Backbox AIC - Airtight, IC rated Only available for SO versions) SH⁹ - Shallow Backbox (for FX version only) (non-IC)	120 - 120VAC 277 - 277VAC	For DR Light Modules Only: SL - softening lens SC - sculpture lens For FX or DR Light Modules: AG - anti-glare louver DL - diffusing lens 44^{5, 10} - IP44 splash resistant clear lens* *** Consult factory for more than one accessory per fixture
			40 - 4000K WD² - warm dim range 1800K-3000k TW^{2,6} - tunable white range 2700K-6500K (only available with 0-10v or DMX)							
	FX - Fixed	FL - Flood 40° WF¹ - Wide Flood 55°	HO⁵ - High Output, 20W (Up to 2000lm source only available for 27, 30, 35, 40 and FX Light module)	Tunable White 90 - 90+ min CRI	GBL^{1,3} - Gun Black (Brushed Alm Finish; Inline only)					
	WW^{1,6} - Wall Wash Optic (Only available w/ FX light module, APL80, AIL80)									

Ordering Example: KUAIL80-DR-NR-30-SO-80-RSC-D2-120-SL

* All Apls 80 products are rated for indoor use only, in either a dry or damp location, unless using an IP44 rated louver. In case of IP44 rated louver, fixture may be installed in certain wet locations. Contact factory for more information. *Lumen Package designates module lumens. Light Direction, CCT, and Optional Accessories will all impact light output. Please see IES files for delivered lumens. ** Consult factory for custom RAL finish color options. ¹ Not available with dropped louver ² Warm Dim is an adaptable light allowing simulation of the familiar glow and dimming of incandescent lamps. 1800K-3000K with tight color consistency of 2 SDCM. Tunable White is an adaptable light allowing designers to mimic daylight for commercial and residential applications. 2700K-6500K with tight color consistency of 3 SDCM. ³ Inline version only. ⁴ Please provide for confirmation of specification and mounting component requirements. ⁵ Fixed version only ⁶ Not recommended with dropped louver (AIL80 DL) ⁷ Only suitable for installation in accessible ceilings (i.e. ACT, grid). Can not be used for closed ceilings. Hanger bars included as standard (for use with 16"-24" joist spacing). - PNB includes butterfly clips ⁸ Not available with D1 or D3 dimming ⁹ Not available with D3 or D4 dimming. ¹⁰ IP44 rating option protects against splashing water. Choose this accessory for glass lens between beveled louver and reflector. ¹¹ CEC and JAB compliant.

aplis 80 downlight, fixed

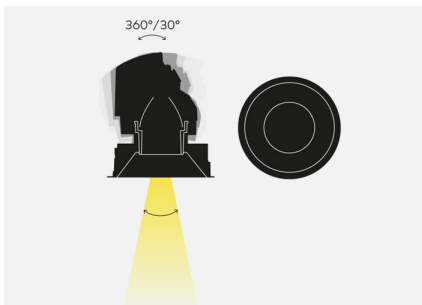


Description

Aplis is designed for recessed use and is characterized by the deeper position of the light source in relation to the ceiling level. Aplis provides the feeling of light without the sight of light. For new construction installation, each luminaire has a choice of required and optional accessories that can be chosen depending on your project. Aplis is a round recessed spotlight system, able to respond to the highest qualitative and functional requirements of architectural lighting design.

Aplis 80 is also available in a Wall-Wash optic for wide and even wall illumination.

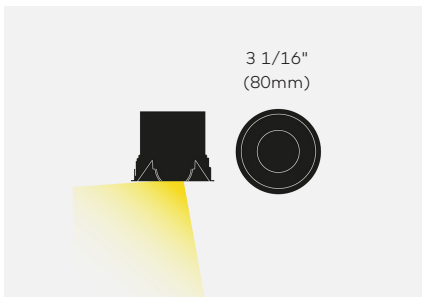
aplis 80 directional



Mounting

Aplis 80 features a round aperture with flange, or in-line for trimless install in drywall, and can be rotated up to 360° and tilted by 30° without compromising the recessed position of the lamp or the glare control. The luminaire can aim both at vertical and horizontal surfaces. Aplis 80 is equipped with a filter holder and anti-glare snoot. The internal gear can be handled from the room-side. The newest addition to this luminaire is a dropped louver.

aplis 80 wallwash



Finish

made from zamak die cast aluminum alloy. Louver finish available with white or black. RAL available on request.

Optical system / LED's

LED life of L80 greater than 50,000 hours.

Color temperatures / CRI

Available in 2700K, 3000K, 3500K and 4000K; Warm Dim range 1800K-3000K, tunable white range 2700K-6500K

Controls / Dimming

Aplis 80 is standard with TRIAC phase dim (120V only), or 0-10V dim (120-277V); For non-dimming applications dimming wires can be independently capped off.

Optional accessories

various lenses to ensure visual comfort.

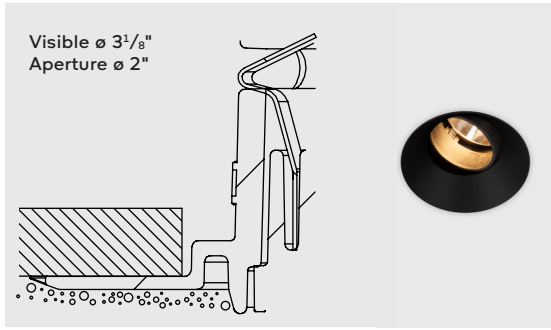
ETL / UL

All Aplis 80 products are rated for indoor use only, in either a dry or damp location, unless using an IP44 rated louver. In case of IP44 rated louver, fixture may be installed in certain wet locations. Contact factory for more information.

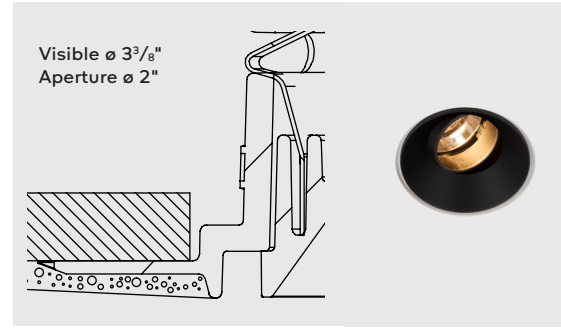
ETL tested for installation in the US and Canada. Ingress Protection – IP40.



mounting / installation



Aplis 80 in-line installation (trimless, no shadow gap)



Aplis 80 in-line installation with shadow gap

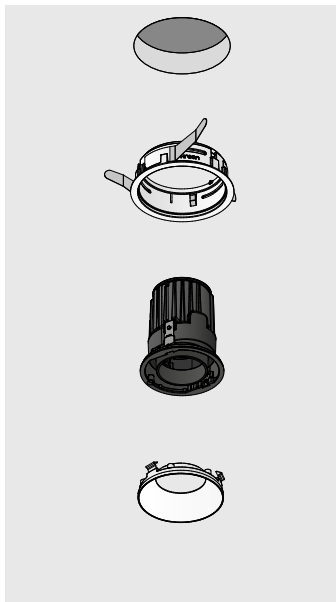
installation kit, 80 series, trimless for wood ceilings

H2* - Preset at factory. Adjustable for ceilings up to 1" thick. Specify ceiling thickness when ordering.

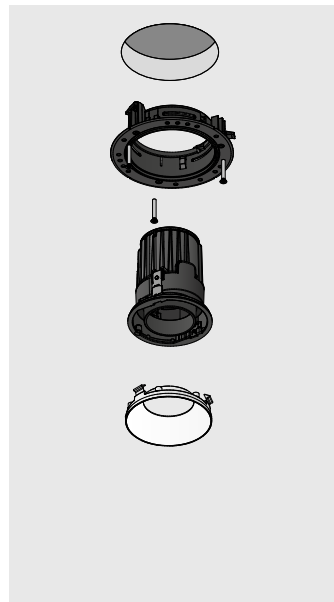
name	reference	JxH1	H2*	K	name	reference	H1	H2*	D1	D2
installation kit 80 trimless, back install	KR71710	85x25	25	34.8	installation kit, size 80, trimless finish	KR717100	38.2	25	82	82

Ceiling thickness: Maximum 1" thickness

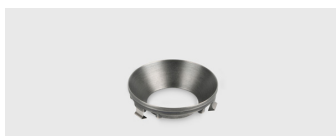
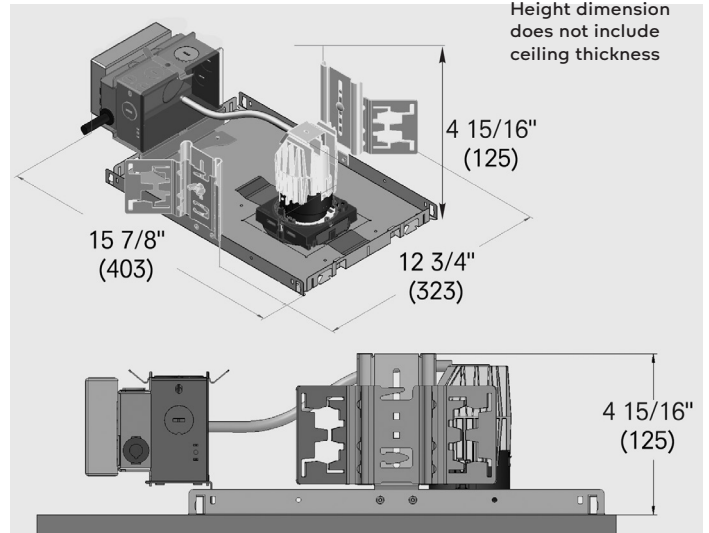
aplis 80 mounting



Schematic representation of assembly Aplis 80



Schematic representation of assembly Aplis 80 in-line



Aplis 80 in-line Gun Black Louver

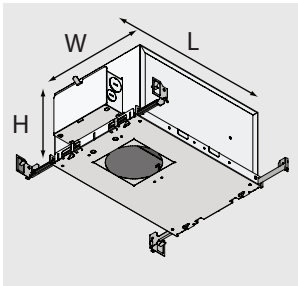


Aplis 80 Red Satin Copper Louver

RM - Driver Box Dimensions

Control Selection	Driver	IC Box Dimensions
D1	Triac Phase Dimming (10%)	7"x2.375"x1.5" (LxWxH)
D2	0-10V Dimming (10%)	16.5"x2.48"x1.97" (LxWxH)
D2-LD	0-10V Dimming (1%)	16.5"x2.48"x1.97" (LxWxH)
D3-2	Lutron Hi-Lume 2-Wire Dimming	19"x2.48"x1.97" (LxWxH)
D3-3	Lutron Hi-Lume 3-Wire Dimming	19"x2.48"x1.97" (LxWxH)
D4	EldoLED dim to dark	16.5"x2.48"x1.97" (LxWxH)

Backbox



Aplis 80 backbox dimensions

Backbox Dimensions	L	W*	H
IC & Non-IC	14 5/8"	8 5/8"	6 3/4"
Airtight IC	14 3/4"	8 5/8"	6 3/4"
Shallow	12 13/16"	8 5/8"	4 3/16"
CCEA Chicago Plenum	14 3/4"	8 5/8"	6 3/4"

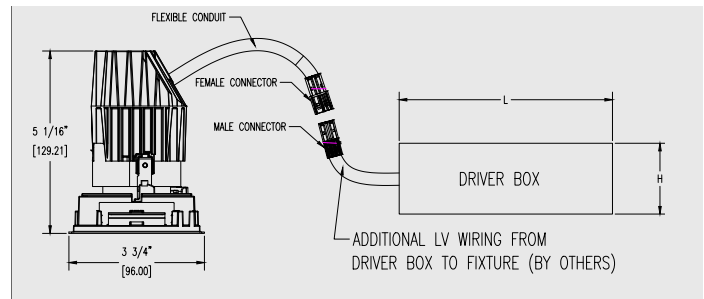
Pan Dimensions	L	W*	H
Directional / Fixed (SO) Pan Assembly	14 5/8"	8 5/8"	6 3/4"
Fixed (HO) pan assembly	14 3/4"	8 5/8"	6 3/4"

Hanger bars included as standard. For use with 16"-24" joist spacing.

For butterfly bracket option W = 12 3/4"

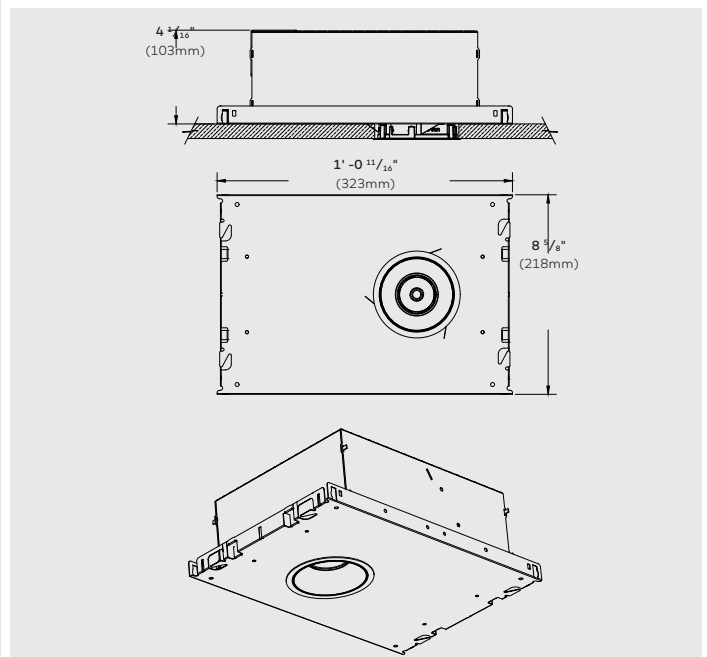
Remodel Housing Cavity	Height
Remodel	4 3/4"
Min. Ceiling Cavity = (H)-Ceiling Mat. Thickness	

Remodel

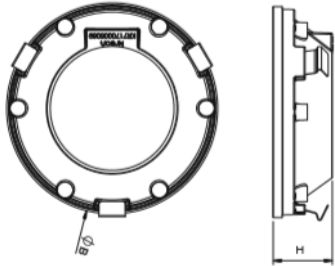


Please see Remote driver Gearbox Dimensions on page 3. All drivers possible in remote retrofit applications dependent on ceiling cavity. Please have GC review dimensions.

SH - Shallow Backbox

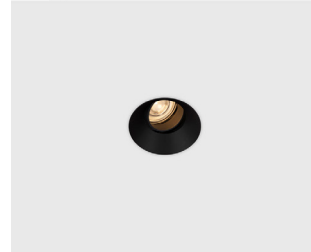


louver

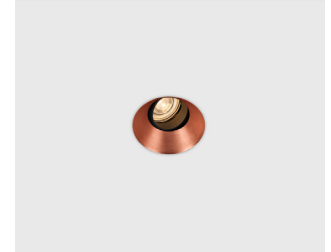


Inline Louver	ØB	H
aplis 80 inline	3 1/16" (80mm)	5/8" (22.5mm)
aplis 80 inline IP44	3 1/16" (80mm)	5/8" (22.5mm)

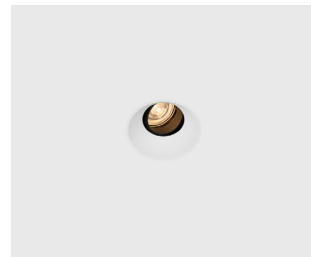
in-line louver finishes



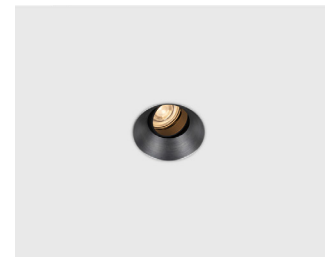
black



red copper

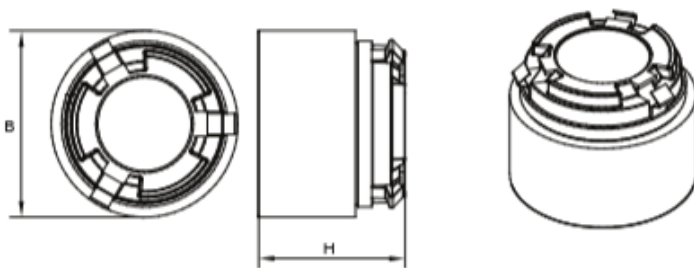


white



gun metal black

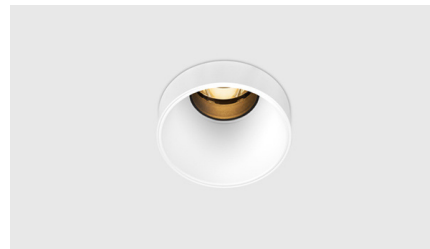
inline with dropped louver



Dropped Louver	ØB	H
aplis 80 inline dropped louver	3 1/16" (80mm)	5/8" (22.5mm)

*dropped louver available in white or black finish Only

- *dropped louver available with inline version only
- *dropped louver recommended with fixed (FX) version only
- *dropped louver recommended recommended with flood beam

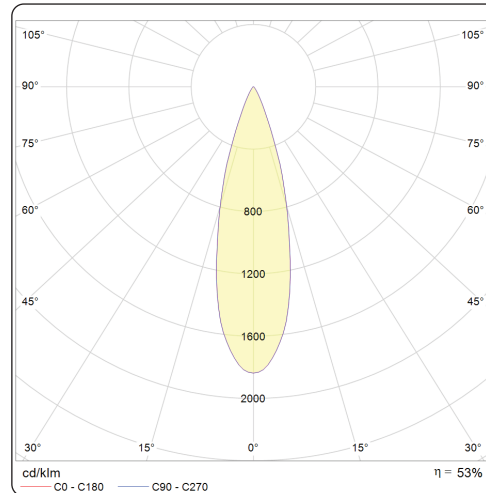


Photometry

Aplis 80 fixed, narrowbeam



APL-80-NR-30-02-80
 Source Lumens: 1300lm
 CCT: 2700K
 Power: 15W
 Delivered Lumens: 693lm
 Efficiency: 46lm/W



Aplis 80 fixed, flood beam



APL80-FL-27-SO-80
 Source Lumens: 1300lm
 CCT: 2700K
 Power: 15W
 Delivered Lumens: 989lm
 Efficiency: 66lm/W

