

# 48V magnetic track system

# kreon

Date: \_\_\_\_\_ Customer: \_\_\_\_\_

Project: \_\_\_\_\_

Type: \_\_\_\_\_ Qty: \_\_\_\_\_



Order codes:

KU48M-		-	-	-	+	+	-	-	-	( )-	( )-	( )
kreon 48V magnetic track system	mounting option	ceiling type	track length quantity	channel finish	profile connectors (specify quantity per run)*							
KU48M 48V Magnetic Track System	ST3 Recessed, no flange	DW Drywall (trimless installation)	4F 4'-0" (1219.2MM)	1 White	EFC(qty) LC(qty) LJ(qty) RB(qty) SC(qty) MJ(qty) EC2(qty) EC2EC2(qty)	End feed Connector low voltage (required)*						
			8F 8'-0" (2438.4 MM)			L-Connector (needed for 90° corners)						
ST6S Surface Mounted	GR ACT panels with grid ceiling	Mix and match to get desired length* Track can be cut in field to exact dimensions with the CTC track cutting tool		2 Black		L-Joint Mechanical (ST6 only) (needed for 90° corners)						
						Reinforcing bracket for joining LV recessed (to connect two tracks)						
ST6P Pendant Mount	OT Other, please consult factory					Straight Connector, no feed (needed for electrical connection when (2) tracks are next to eachother						
						Mechanical L-joint (Used with L-Joint- ST6) (For 45° angles ST3)						
						End Cap. (1) required on the last track of every run. (2) required for ST6						

( )- ( )-		CTC ( )-	( )-		( )-		(order code cont'd page 2-3)
profile mountings (specify quantity per run)		installation option	power supply 120/277VAC (specify quantity per run)		dimming		
MB	Mounting Bracket (recessed ST3 only - 4 per meter needed)	CTC cutting tool for track conductors  * 1 cutting tool required per order. Request more if needed.	4860	48V 60W (KU7000001046)	DALI - Dali		
SW15	suspension steel wire, 4'-11 1/16" (1500mm)		4880	48V 80W (KU7000001047)	D2 - 0-10V dim (10%); 120/277VAC		
SW25	suspension steel wire, 8'-2 7/16" (2500mm)		4896	48V 96W (KU7000001048)	ONF - On/Off		
PCS	pendant clip for suspension, short		See page 13 for details and order example				
PCL	pendant clip for suspension, long						

Track Ordering Example: KU48M-ST6P-DW-4f +8F-2-EFC(1)-SC(1)-EC3(2)-SW15(2)-CTC-48120-D2

See page (2-3) to complete the luminaire order code\*

\*Recessed - drywall only \*\* Each Track segment requires one feed location and/or straight connector \*\*\*\*0-10V: recommended to use.

One end feed and one end cap required per complete ST6 run. One end feed required and one optional end cap for ST3.

**order codes  
for luminaire  
continue  
on page 2 and 3**

## diapason 40 / 80 / 120



DIA40T



DIA80T



DIA120T

Order codes:

kreon diapason on track	finish	beam angle	CCT	CRI	options (diapason 80 or 120 only)		qty
<b>DIA40T</b> Diapason 40 On-Track Delivered 141lm@CRI80 / 109lm @CRI90  <b>DIA80T</b> Diapason 80 On-Track Delivered 557lm@CRI80 / 428lm @CRI90  <b>DIA120T</b> Diapason 120 On-Track Delivered 1185lm@CRI80 / 939lm @CRI90+ / 1761lm @CRI98+	<b>WH</b> White  <b>BL</b> Black  <b>BLC</b> Black with copper lamphead (DIA80T only)	<b>SP</b> Spot DIA40T - 10° DIA80T - 20° DIA120T - 12°  <b>FL</b> Flood DIA40T - 24° DIA80T - 30° DIA120T - 24°  <b>WFL</b> wide flood DIA40T - 46° DIA80T - 40° DIA120T - 38°	<b>27</b> 2700k  <b>30</b> 3000k	<b>80</b> CRI80  <b>90</b> CRI90  <b>98</b> CRI98 (DIA 120 only)	<b>SGP</b> Straight glare preventer (H30)  <b>RGP</b> Rounded glare preventer (H54)	<b>AG</b> Anti-glare louver  <b>DL</b> Diffusing Lens  <b>SL</b> Sculptured Lens (Diapason 120 only)	Write down the desired number of luminaires per run

**Lighting Element Ordering Example: DIA80T-BLC-FL-27-90-SGP-DL-2**

Minimum spacing on center: 7" diapason 80

You can pick up to (2) lenses with (1) glare preventer.

## holon 40 / 60



Order codes:

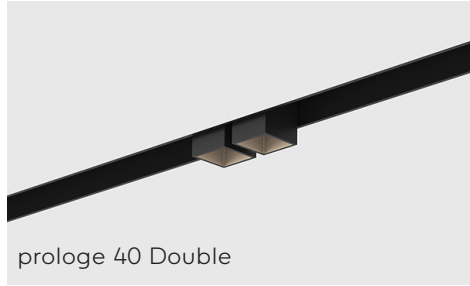
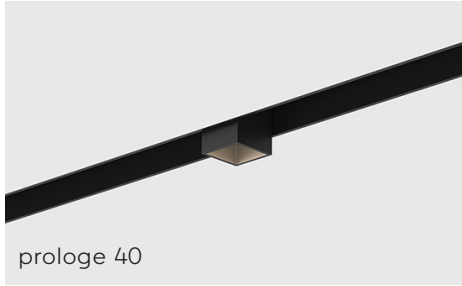
kreon holon on track		finish	beam angle	CCT	CRI	options <sup>2</sup>		qty
HOL4DOT	Holon 40 Directional On-Track Delivered 721lm@CRI80+ / 558lm @CRI90+	BL - Black WH - White	SP Spot 20°  FL Spot 30°  WFL wide flood (40°) DL <sup>3</sup> Dark light (38°)	27 - 2700k  30 <sup>1</sup> - 3000k  35 <sup>2</sup> - 3500k  40 <sup>2</sup> - 4000k	90+ CRI90	DL <sup>1</sup> Diffusing Lens  SC <sup>1</sup> Sculpture lens	AG <sup>1</sup> Anti-glare louver (required to hold lens.)  Z	Write down the desired number of luminaires per run
HOL4POT <sup>2</sup>	Holon 40 Pendant On-Track Delivered 426lm@CRI90+							
HOL4FOT	Holon 40 Fixed On-Track Delivered 721lm@CRI80+ / 558lm @cri90+							
HOL4DFOT	Holon 40 Double Fixed On-Track Delivered 721lm@CRI80 / 558lm @cri90+							
HOL4WOT <sup>4</sup>	Holon 40 Wallwasher on track							
HOL60DOT	Holon 60 Directional On-Track	BL - Black WH - White	SSP Spot (18°)  SP Superpot (34°)  FL Flood (54°)  WFL Wide Flood (34°)	27 - 3000k  30 - 3000k  35 - 3500k  40 - 4000k	90+ CRI90  95 CRI95	LL Low Louvre  DL Deep Recessed Louvre		Write down the desired number of luminaires per run
HOL60FOT	Holon 60 Fixed On-Track							
HOL60WOT	Holon 60 Wallwasher On-Track							

**Lighting Element Ordering Example: HOL4OT-WH-SP-27-95-AG-DL-2**

Minimum spacing on center: 7" holon 40 & holon 60

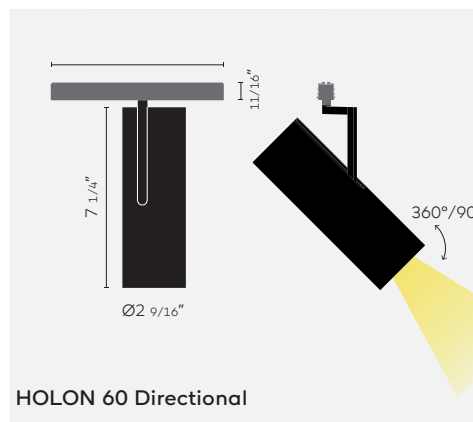
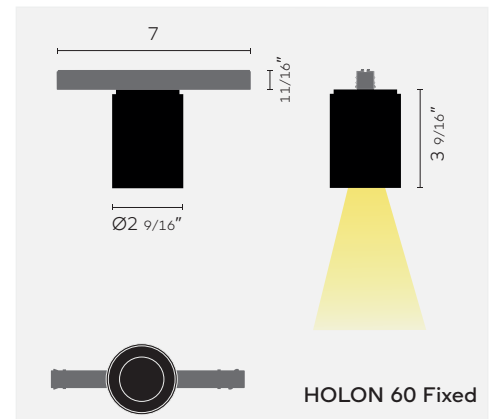
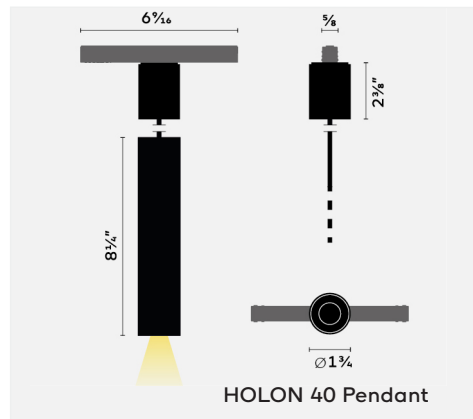
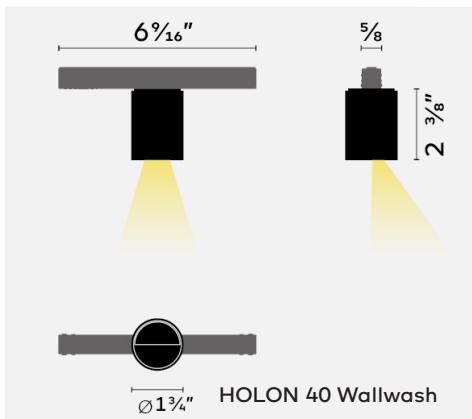
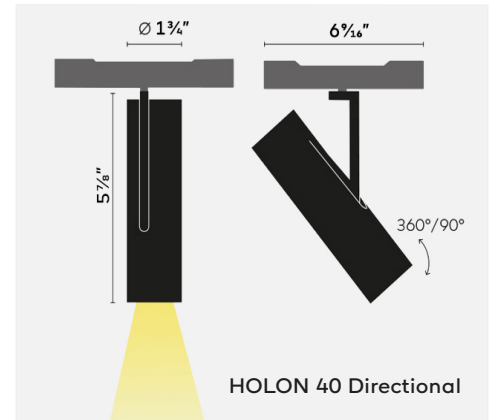
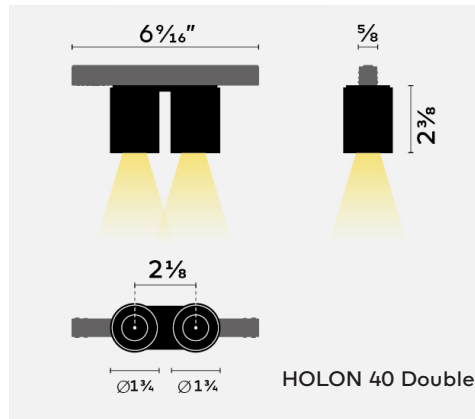
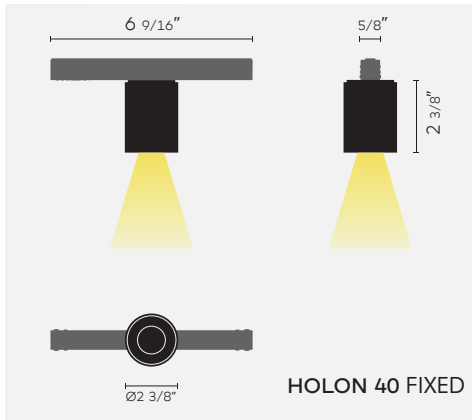
<sup>1</sup> Not available with holon pendant on track. <sup>2</sup> Only available in black louver only. <sup>3</sup> Not available with HOL40T. <sup>4</sup> No available beam angles

## prologe 40

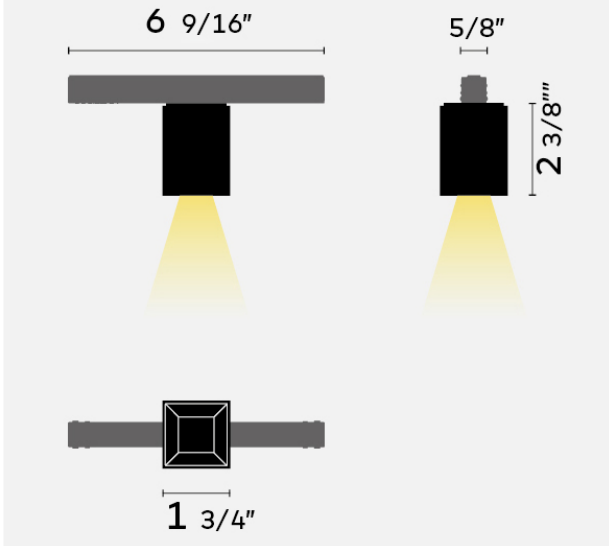


kreon prologe on track	finish	beam angle	CCT	CRI	options	qty
<b>PRO40T</b> Prologe 40 Delivered 375lm@ CRI90+  <b>PRO40T2</b> Prologe 40 Double delivered 426lm@ CRI90+  <b>PRO40TWW</b> Prologe 40 Wallwasher	<b>BL</b> - Black  <b>WH</b> - White	<b>SP</b> Spot 20°  <b>FL</b> Spot 30°  <b>WFL</b> wide flood 40°  <b>DL</b> Dark Light 40°  <b>WDL</b> Wide Dark Light 76°	<b>27</b> - 2700k  <b>30<sup>1</sup></b> - 3000k  <b>35<sup>2</sup></b> - 3500k	<b>90+</b> CRI90		Write down the desired number of luminaires per run
<b>PRO40TD</b> Prologe 40 Directional	<b>BL</b> - Black  <b>WH</b> - White	<b>SSP</b> Spot (18°)  <b>SP</b> Superpot (34°)  <b>FL</b> Flood (54°)  <b>WFL</b> Wide Flood (34°)  <b>DL</b> Dark Light 40°  <b>WDL</b> Wide Dark Light 76°	<b>27</b> - 3000k  <b>30</b> - 3000k  <b>35</b> - 3500k	<b>90+</b> CRI90	<b>AG</b> Anti-glare louver (required to hold lens.)  <b>DL</b> Diffusing Lens	Write down the desired number of luminaires per run

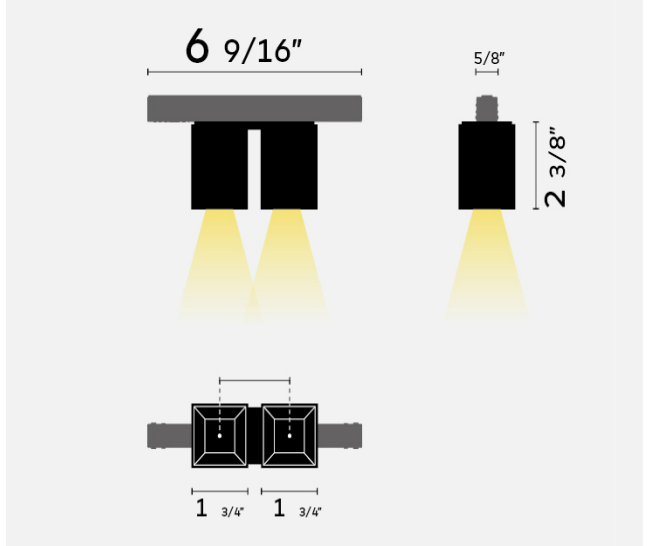
Lighting Element Ordering Example: PRO40TD-WH-SP-27-90-AG-2



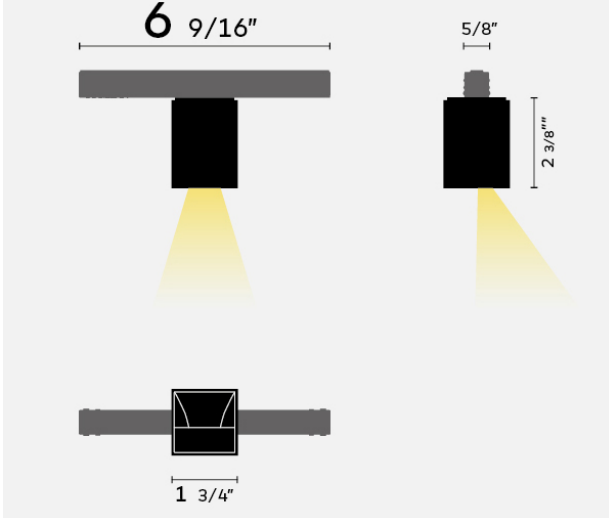
prologe 40



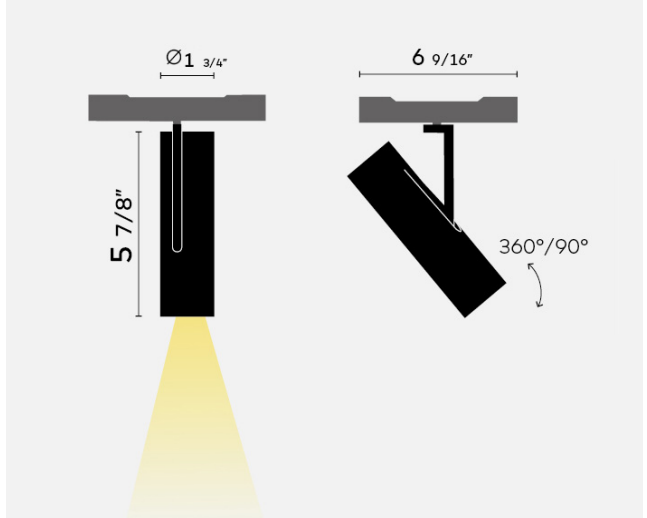
prologe 40 double



prologe 40 wallwasher



prologe 40 directional



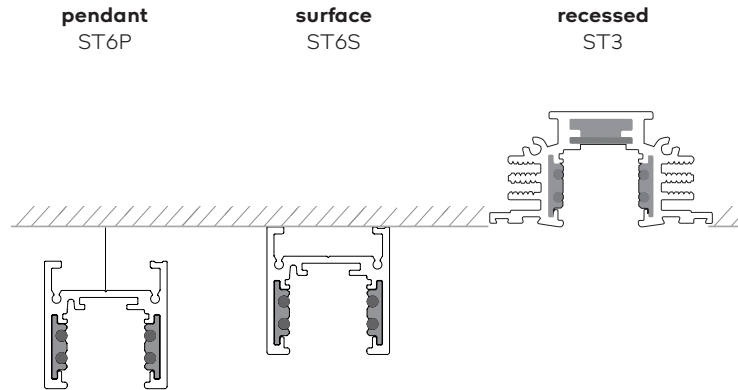


Order codes:

\_\_\_\_\_ - \_\_\_\_\_ - \_\_\_\_\_ ( ) + \_\_\_\_\_ ( ) \_\_\_\_\_ - \_\_\_\_\_

kreon lini on track		finish		length (specify quantity per run)		CCT	CRI
LINI10T	Lini 10 On-Track	<b>WH</b> White	<b>BZ</b> Bronze	<b>09</b> <b>2' 11"</b> (911mm), 15.5W, 466lm	<b>15</b> <b>4 11"</b> (1511mm), , 21.6W, 774lm	<b>27</b> 2700k	<b>90+</b> CRI90
		<b>BL</b> Black		<b>12</b> <b>3 11"</b> (1211mm), 17.3W, 620lm		<b>30</b> 3000k	

Lighting Element Ordering Example: LINI10T-BL-12(2)-27-90



## Application

kreon 48V magnetic track system is a convenient way to light up your walls in any space you desire. The kreon 48V magnetic track system provides freedom and flexibility with its personalized profile track system. With the cutting edge magnetic light source you are free to add or move the Kreon lights quickly and easily. This do-it-yourself feature allows you to direct the light where you need it in order to create spot, task or even ambience lighting. kreon low voltage magnetic system is an efficient alternative to other track systems. The magnetic low voltage system is perfect for high end residential, commercial or retail stores where displays are often changed.

## Mounting

kreon low voltage channel system is available in recessed, pendant or surface mount. It is easily installed in drywall, plaster, wood or suspended ceilings. 90° corners available as an option. The trimless installation of the recessed mount creates an invisible track making this a polished and refined system.

## Lighting Element

The holon 40, 60, diapason 40, 80, 120, and lini 10 are the available magnetic lighting elements that can be used on the 48v track.

## Finish

black or white available for track, holon, lini and diapason.. Black with copper lamphead is available with Diapason 80 on track only. Lini available in bronze.

## Color temperatures / CRI

Diapason: 2700K or 3000K with diapason. CRI 80, CRI 90, CRI 98  
Holon: 2700k, 3000k, 3500k or 4000k with holon. CRI90+

## Delivered Lumens

Holon 40: 721lm delivered at CRI80; 558lm delivered at CRI90  
Holon 40 Pendant on track: 426lm delivered at CRI90  
Holon 60 808lm / 90CRI / SSP/SP (beam angle)  
Holon 60 1211lm / 90CR / FL/WFL (beam angle)  
Diapason 40: 141lm delivered at CRI80; 109lm delivered at CRI90  
Diapason 80: 557lm delivered at CRI80; 428lm delivered at CRI90  
Diapason 120: 1185lm delivered at CRI83; 939lm delivered at CRI90; 1761lm delivered at CRI98  
Lini on-track: produces up to 155 lm/ft

## Input Voltage

48VDC (units/track)  
120/277 VAC; 50/60 Hz (power supply)

## Power Supply

HLG-60H-48 = 62.4W • HLG-80H-48 = 81.6W • HLG-100H-48 = 96W

## ETL / UL

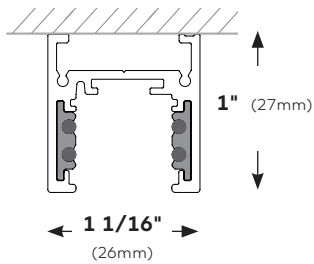
ETL Pending for US and Canada.  
Track is UL listed, class 48Vdc @ 2.0A, UL listing # E490801, 20N  
Guarantee 36 months. 5 year warranty on LED and driver



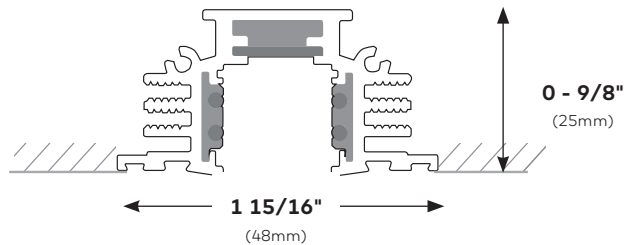


## Track Dimensions / Mounting

low voltage track surface or pendant mount (ST6)

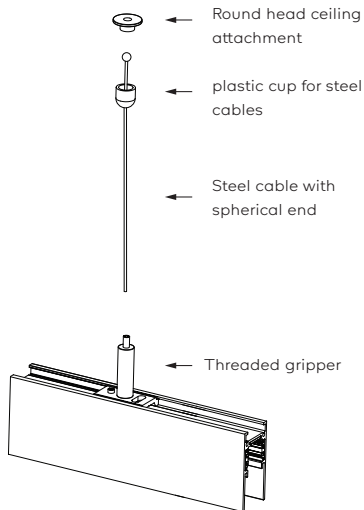


low voltage track recessed (ST3)



## Pendant mounting (drywall) - ST6

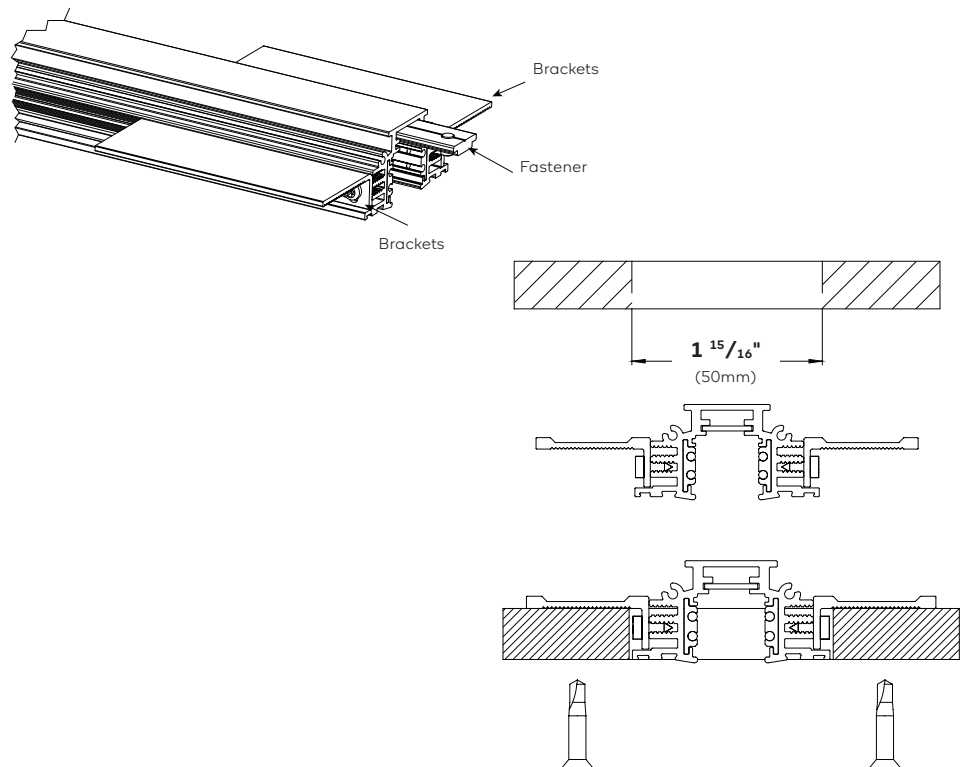
Other pendant mounting versions available depending on ceiling type. Consult factory.



## Recessed (drywall) - ST3

Brackets are recommended for trimless tracks. Use 4 brackets per meter of track (secured on each side and distributed uniformly). Fasteners are used to connect two tracks together.

Track must be positioned above the plasterboard in the manner below-illustrated. Use appropriate screws (not supplied with the brackets) to fasten the track to the plasterboard. Before inserting the track into the plasterboard, mark on the outside the position of the screws in relation to the track's bracket.

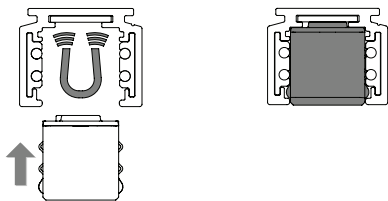
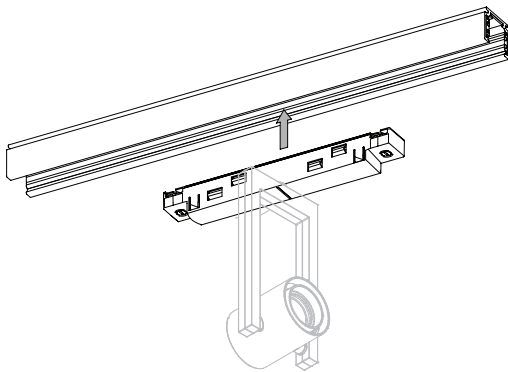


## Mounting Magnetic Adaptor / Luminaire

### Installation - Magnet

All adaptors are equipped with permanent magnets which provide connection to the metal plate inside the track. Insert the magnetic linear profile into the track until you hear a CLICK - then it is securely in place.

**\*\* All installation magnets need to be in the same direction on track\*\*** Once in place, then feel free to rotate the luminaire and point the light source in the direction you prefer.



### Rotation / Inclination - Lighting Element

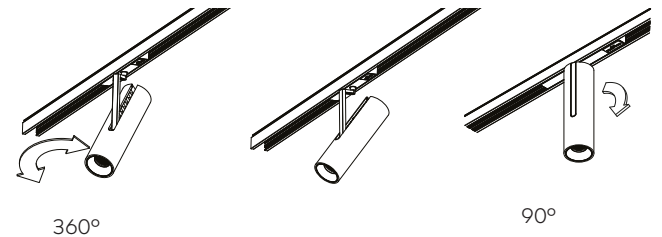
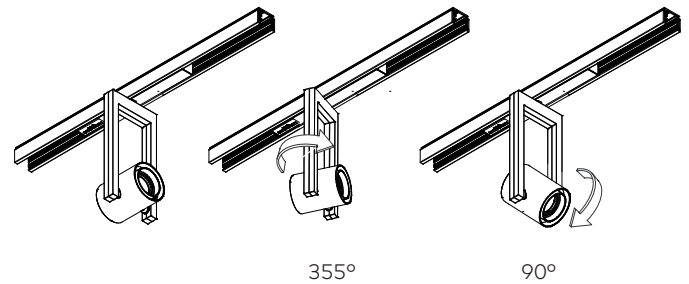
diapason 40 profile can rotate max 355 degrees and the fixture can be inclined max 90

diapason 80 profile can rotate max 390 degrees and the fixture can be inclined max 90 degrees.

diapason 120 profile can rotate max 355 degrees and the fixture can be inclined max 90 degrees.

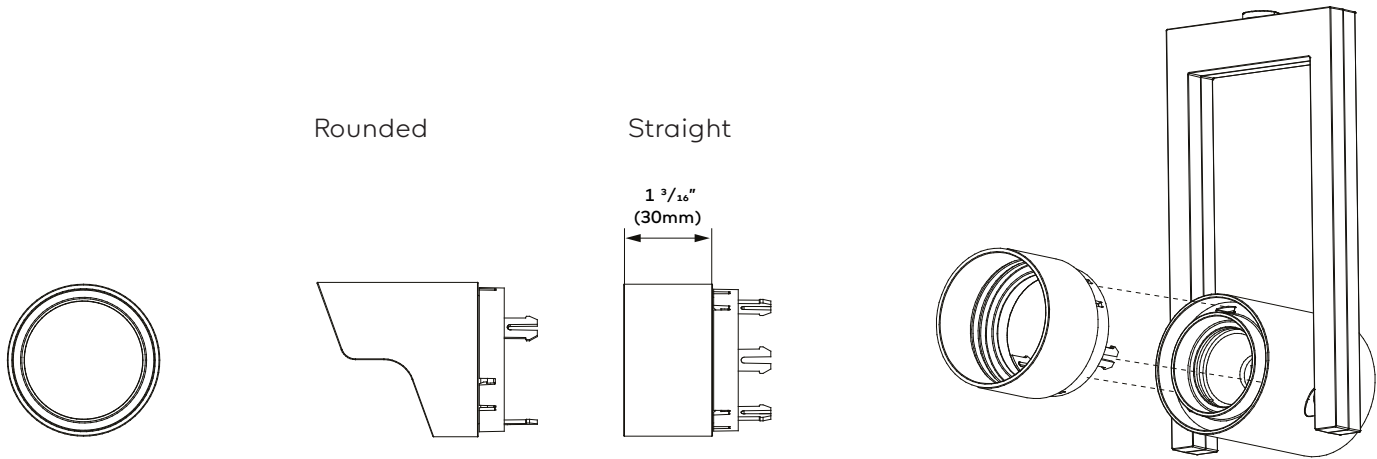
The holon 40 profile can rotate max 360 degrees and inclined up to 90 degrees after install.

The holon 60 directional profile can rotate max 360 degrees and inclined up to 90 degrees after



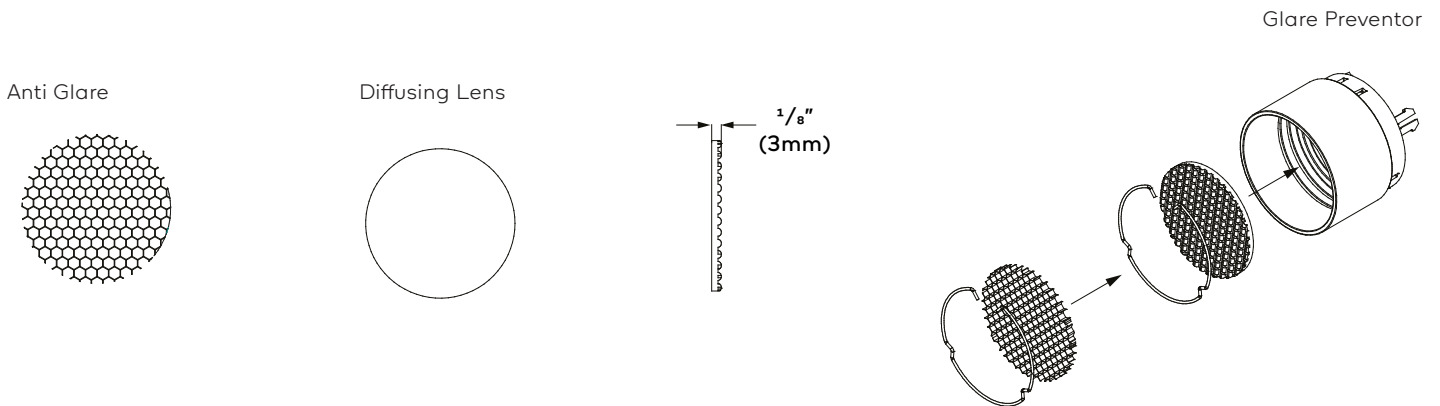
## Diapason 40 and 80 Glare Prevention

### Glare Preventer



for detailed information see the Diapason 80 or 120 spec sheet\*

### Glare Preventor with lenses

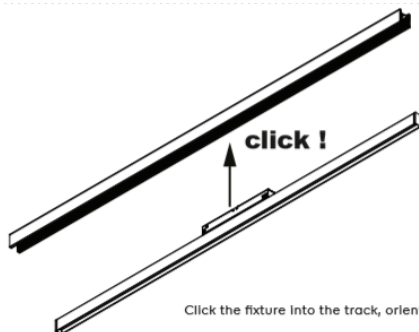
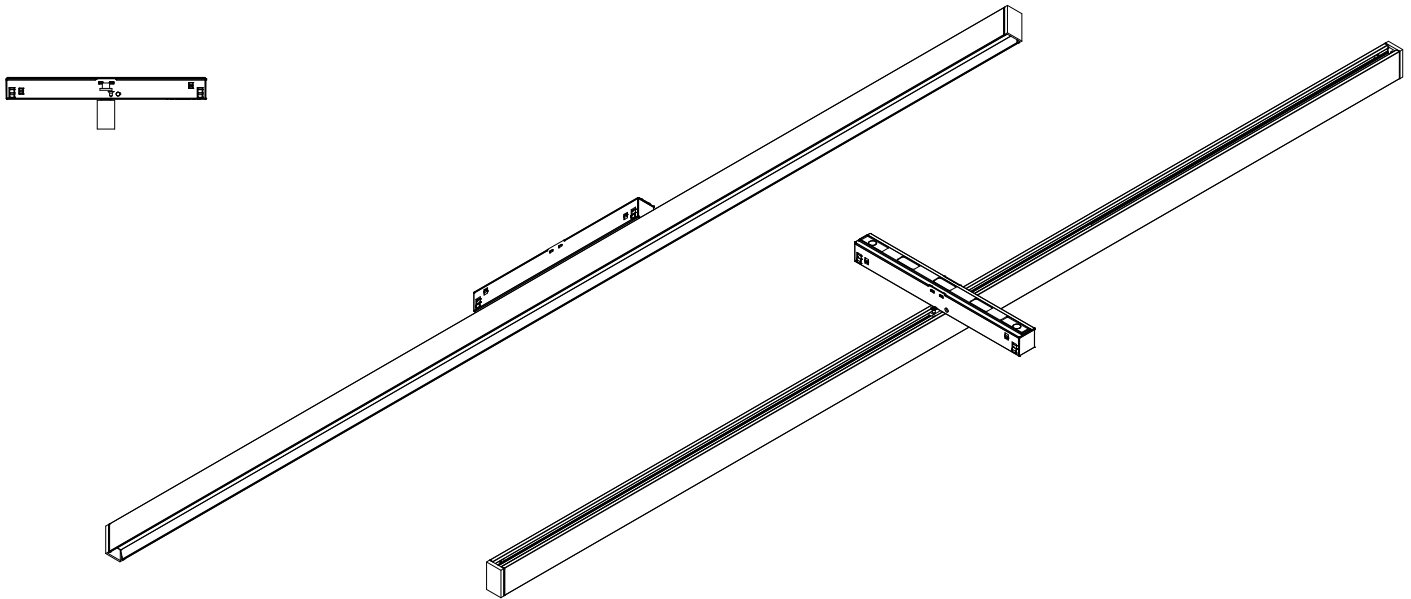
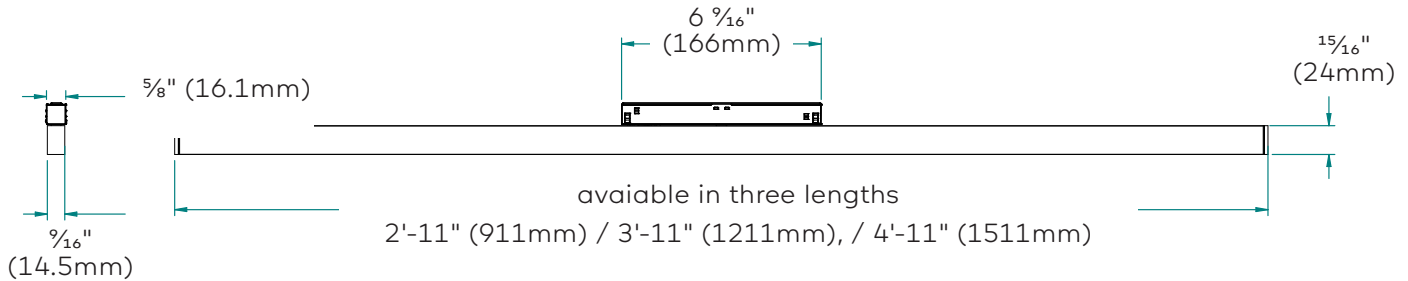


With (1) glare preventor, up to (2) lenses can be used at one time.

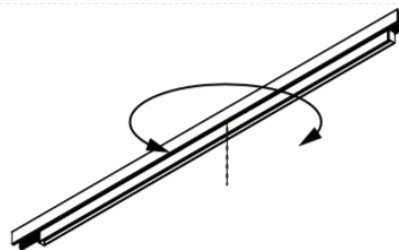
diapason 80 anti glare louver	1 27/32" (47mm diameter)
diapason 80 diffusing lens	1 27/32" (47mm diameter)
diapason 120 anti glare lens	3 1/2" (89mm diameter)
diapason 120 diffusing lens	3 1/2" (89mm diameter)
diapason 120 sculptured lens	3 1/2" (89mm diameter)

## Lini on-track

continuous linear light is an essential tool for architects and lighting designers. Lini available in 3 lengths and can rotate 360 degrees on track.



Click the fixture into the track, orientation is not important



Fixture can rotate 315° on the track

## Power Supply

### 48V Power Supply

The 48V Power Supply provided comes in a variety of wattages ranging from 62.4W-120W. These power supplies can be selected to best suit the requirements of each individual job.

For best results ensure that the maximum length of an individually powered track section, including the distance from the control and feed, is  $\leq 300\text{ft}$  using a minimum of 18GA AWG wire.

In order to ensure that the minimum power requirements of the units are met simply add together the wattage and amperage of the desired units for the track section. The power draw for an individually powered section must not exceed 2A.

<b>Holon 40</b>	10.9W @ 0.188A
<b>Holon 60</b>	21W @ 0.438A (Flood / Wideflood) 13W @ 0.271A (Spot / Superspot) 16W @ 0.333A (Holon 60)
<b>Diapason 40</b>	4.5W @ 0.094A (90CRI)
<b>Diapason 80</b>	8.2W @ 0.171A
<b>Diapason 120</b>	22W @ 0.458A (Spot) 19W @ 0.396A (Flood) 22.4W @ 0.467A (Wide Flood)

### The available Meanwell power supplies are:

- HLG-60H-48 = 62.4W max(4860 on page 1 order code)
- HLG-80H-48 = 81.6W max (4880 on page 1 order code)
- HLG-100H-48 = 96W max (48100 on page 1 order code)

### An example of a section run would be:

4 Holon 40s and 3 Diapason 80s

$$\text{Holon 40} = 9\text{W} \times 4 = 36\text{W} \quad | \quad 0.188\text{A} \times 4 = 0.752\text{A}$$

$$\text{Diapason 80} = 8.2\text{W} \times 3 = 24.6\text{W} \quad | \quad 0.171\text{A} \times 3 = 0.513\text{A}$$

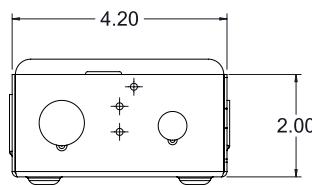
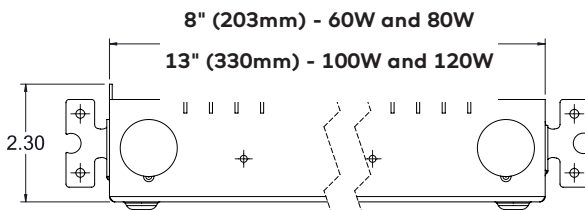
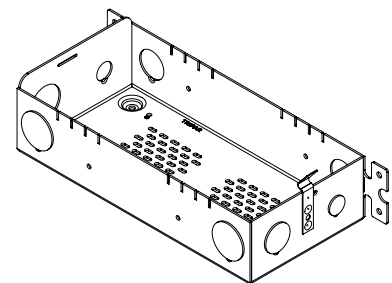
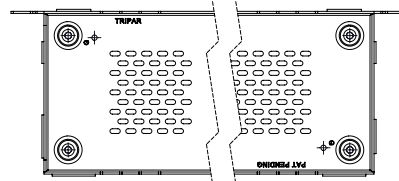
Total requirements of the run:

$$36\text{W} + 24.6\text{W} = 60.6\text{W}$$

$$0.752\text{A} + 0.513\text{A} = 1.265\text{A}$$

This run will require a minimum of the HLG-60H-48 power supply and is under the maximum 2A required per section

## Backbox



## Photometry

### diapason 40



**Report Number: 906601-002-RFL000**

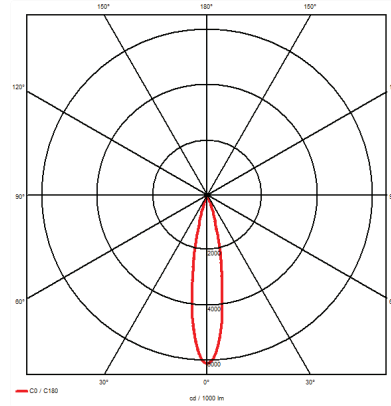
Delivered lumens: 141lm

Luminaire Efficacy: 46.88lm/w

CCT: 2700K

CRI: 80

Power: 3.2W



### diapason 80

wide flood with rounded glare preventer



**Report Number: 91661x\_1x008-R500JH**

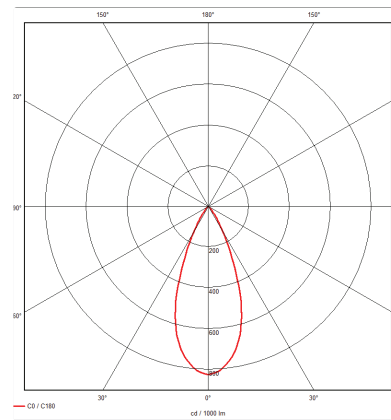
Delivered lumens: 428lm

Luminaire Efficacy: 79.27 lm/W

CCT: 2700K

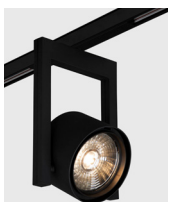
CRI: 90

Power: 8.2W



### diapason 120

wide flood with rounded glare preventer



**Report Number: 926601\_1x022-R38000**

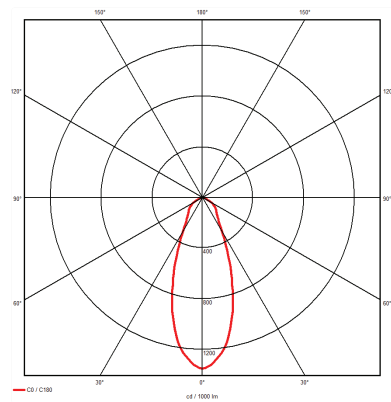
Delivered lumens: 1794lm

Luminaire Efficacy: 80.09 lm/W

CCT: 2700K

CRI: 98

Power: 22.4W



### lini 10



**Report Number: 97411X1092700380000**

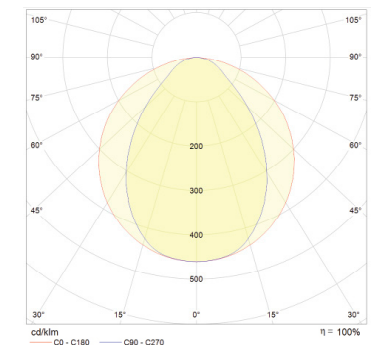
Lini100T-WH-09-27-90

Delivered lumens: 155lm/ft

CCT: 2700K

CRI: 90+

Power: 15.5W



## Photometry

### holon 40



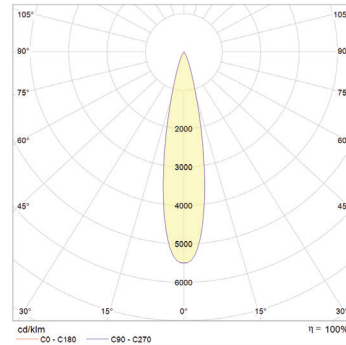
**KUHOL-40-DRR-DW-SP-27-SO-80**

CCT: 2700K

CRI: 80+

Power: 10.9W

Delivered lumens: 663lm



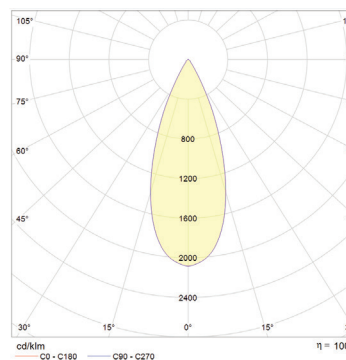
**KUHOL-40-DRR-DW-WFL-27-SO-80**

CCT: 2700K

CRI: 80+

Power: 10.9W

Delivered lumens: 671lm



### holon 40 Pendant on track



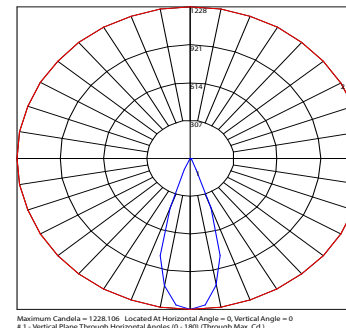
**Holon 40 Pendant Dark Light**

CCT: 2700K

CRI: 90+

Power: 9W

Delivered lumens: 413 lumens (45 lm/W)



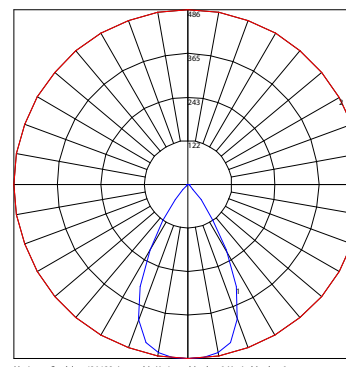
**Holon 40 Pendant Wide Dark Light**

CCT: 2700K

CRI: 90+

Power: 9W

Delivered lumens: 426 lumens (47 lm/W)

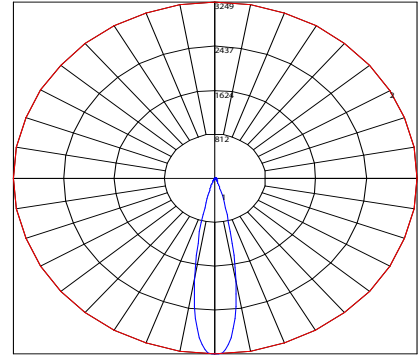


## Photometry

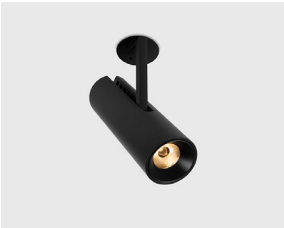
### holon 40 spot



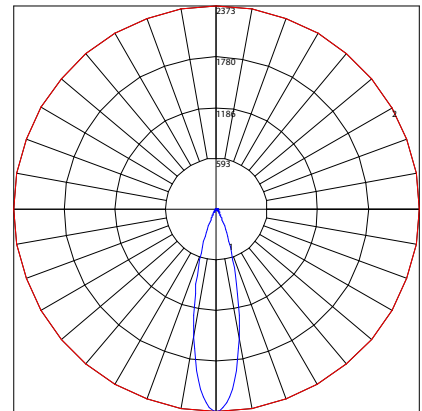
CCT: 2700K  
CRI: 90+  
Power: 9W  
Luminaire Output: 564 lumens (62 lm/W)



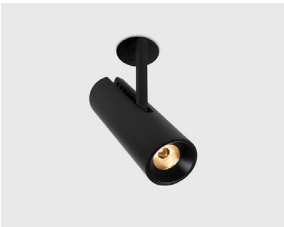
### holon 40 flood



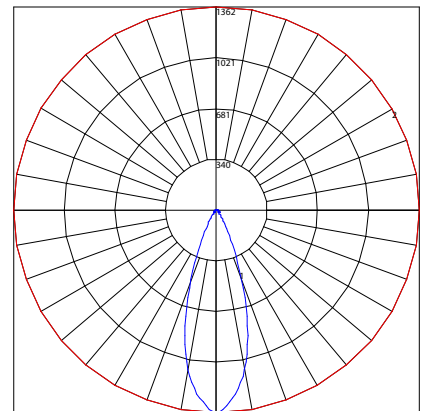
CCT: 2700K  
CRI: 90+  
Power: 9W  
Luminaire Output: 558 lumens (62 lm/W)



### holon 40 wide flood



CCT: 2700K  
CRI: 90+  
Power: 9W  
Luminaire Output: 494 lumens (55 lm/W)



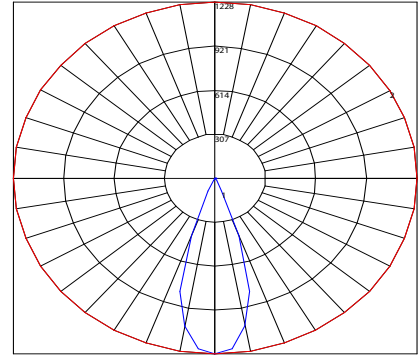


## Photometry

### holon 40 dark light (NEW LFO optics)



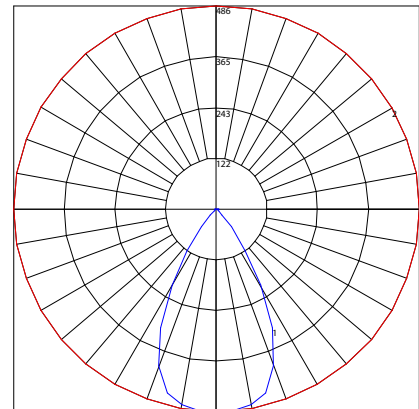
lumens CCT: 2700K  
CRI: 90+  
Power: 9W  
Luminaire Output: 413 lumens (45 lm/W)



### holon 40 wide dark light (NEW LFO optics)



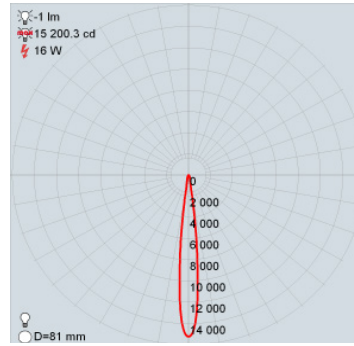
lumens CCT: 2700K  
CRI: 90+  
Power: 9W  
Luminaire Output: 426 lumens (47 lm/W)



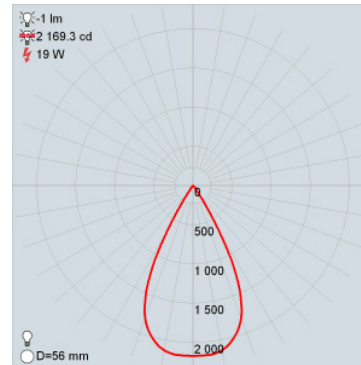
## holon 60 on track



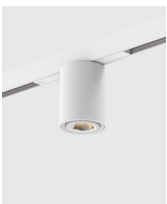
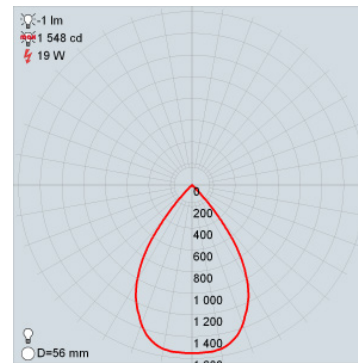
**Holon 60 Directional, Spot**  
 CCT: 3000K  
 CRI: 90+  
 Power: 16W  
 Delivered lumens: 808 lumens (50 lm/W)



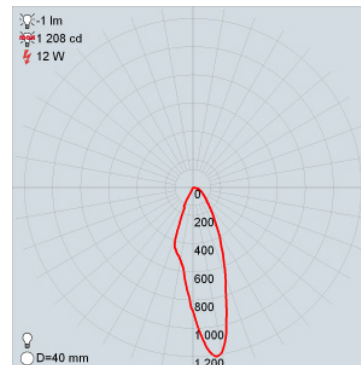
**Holon 60 Fixed, Flood**  
 CCT: 2700K  
 CRI: 90+  
 Power: 19W  
 Delivered lumens: 1031 lumens (54 lm/W)



**Holon 60 Fixed, Wide Flood**  
 CCT: 2700K  
 CRI: 90+  
 Power: 19W  
 Delivered lumens: 1211 lumens (63 lm/W)



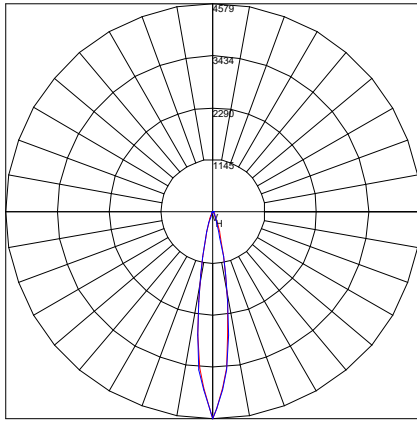
**Holon 60 Wallwasher**  
 CCT: 2700K  
 CRI: 90+  
 Power: 12W  
 Delivered lumens: 605 lumens (47 lm/W)



## Photometrics - Standard Beam Angles

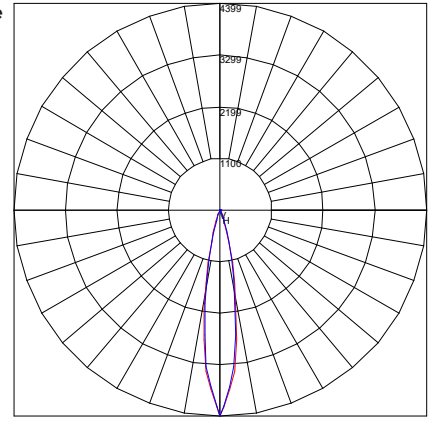
### prologe 40 spot

Delivered Lumens: 547lm  
 CCT: 2700k  
 CRI: 90+  
 Power: 8W  
 Efficiency: 68.38lm/W



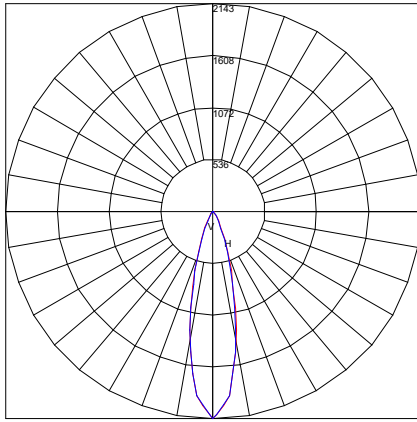
### prologe 40 spot deep louvre

Delivered Lumens: 538lm  
 CCT: 2700k  
 CRI: 90+  
 Power: 8W  
 Efficiency: 67.25lm/W



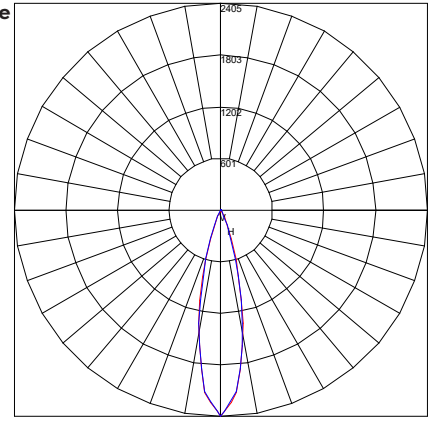
### prologe 40 flood

Delivered Lumens: 541lm  
 CCT: 2700k  
 CRI: 90+  
 Power: 8W  
 Efficiency: 67.63lm/W



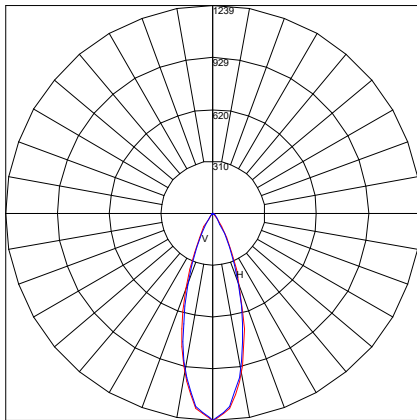
### prologe 40 flood deep louvre

Delivered Lumens: 482lm  
 CCT: 2700k  
 CRI: 90+  
 Power: 8W  
 Efficiency: 60.25lm/W



### prologe 40 wide flood

Delivered Lumens: 505lm  
 CCT: 2700k  
 CRI: 90+  
 Power: 8W  
 Efficiency: 63.13lm/W



### prologe 40 wide flood deep louvre

Delivered Lumens: 317lm  
 CCT: 2700k  
 CRI: 90+  
 Power: 8W  
 Efficiency: 39.63lm/W

