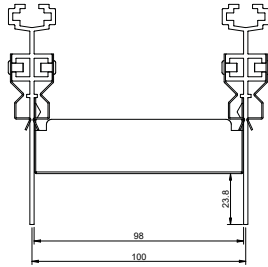
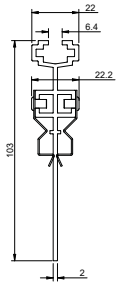


kreon installation manual

technics & dimensions



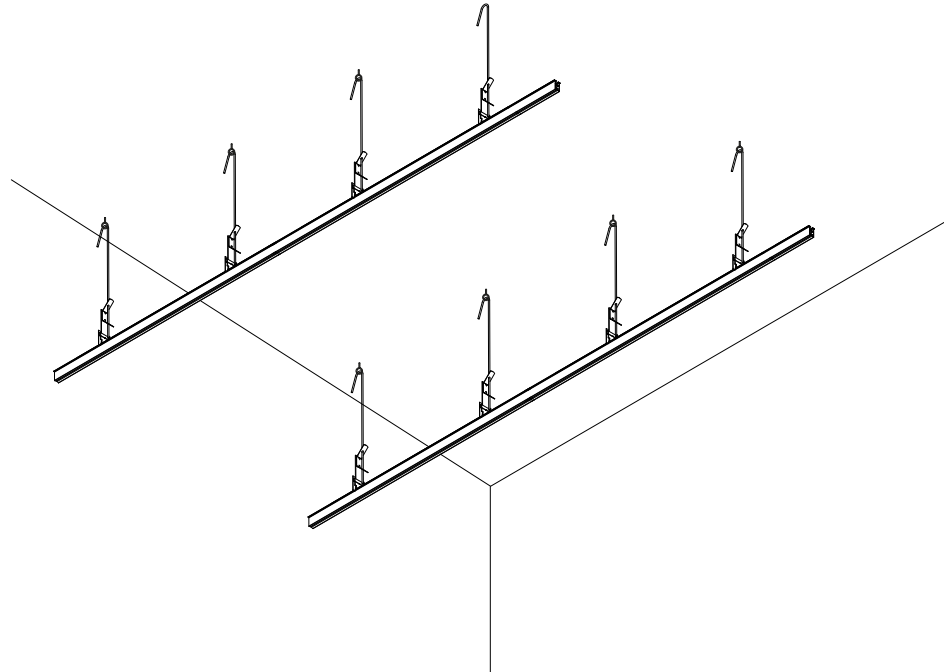
name	description example	reference example	project reference
rytmi lamella	rytmi length bl anod-2 half clip-ins	RYTXXXXXX-length-BL-2N	XXXXXX = SPXX/XXXX
rytmi lamella	rytmi length na anod-1 half clip-in-ends painted	RYTXXXXXX-length-NA-1P	

minimum installation depth: 150 mm
with low nonius 45mm

Please make sure the main voltage
is disconnected before proceeding! ⚡

1. installation

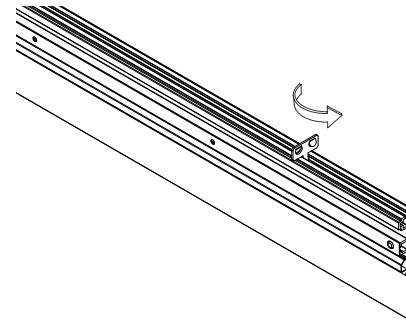
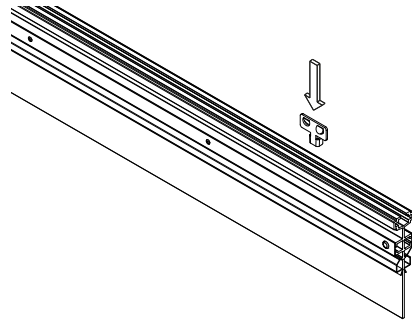
install the primary carrier structure
check "installation manual clip-in ceiling" for further instructions



kreon installation manual

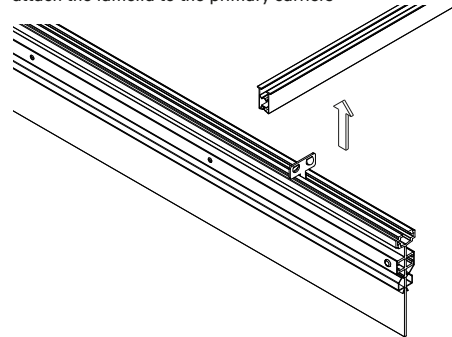
2. installation

attach the cross-connector on top of the lamella

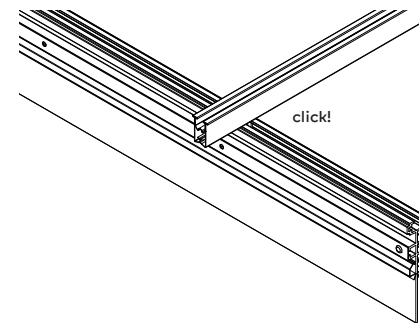


3. installation

attach the lamella to the primary carriers

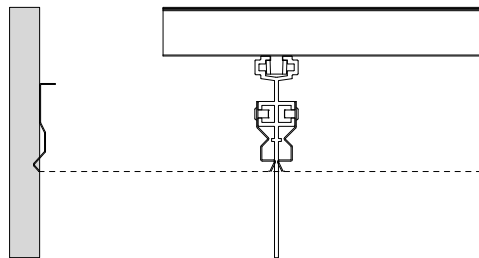


push until you hear a click



4. installation

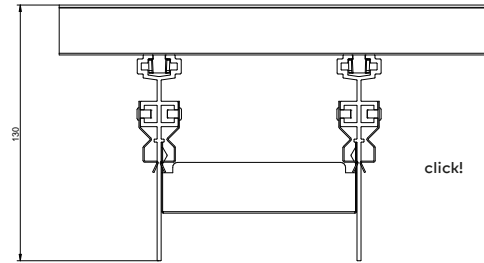
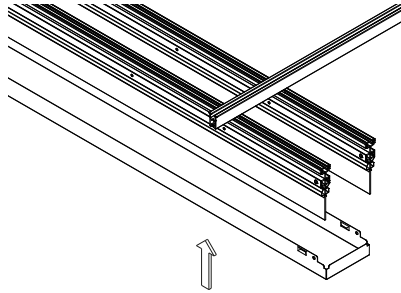
attach a half clip-in against the wall
make sure the bottom is aligned with the other half clip-ins on the lamella



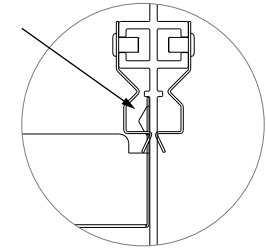
kreon installation manual

5. installation

install clip-in tiles

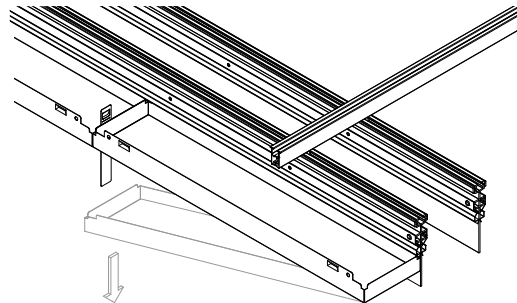


ensure that the dimple of the tile is fully clipped-in



disassembly rytmi tiles

insert the removal tool on the short side of the tile, close to the half clip-in profile



never insert the tool on the long side, clipped into the half clip-in profile
the tool will get stuck and may damage the tile or lamella

pictures

