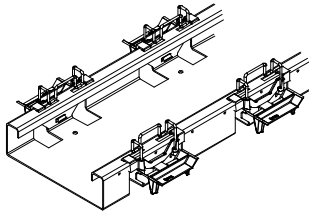


# kreon installation manual

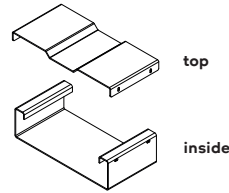
Please make sure the main voltage is disconnected before proceeding! ⚡

## technics & dimensions

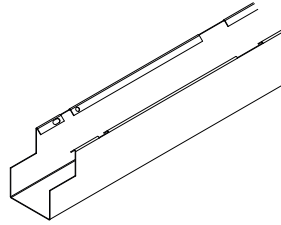
bandraaster 120



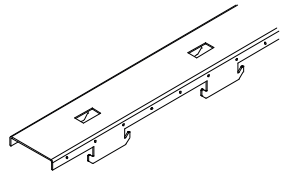
connection bandraaster 120



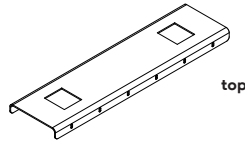
baffle 50x60



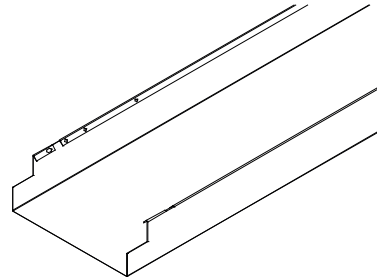
carrier baffle 50



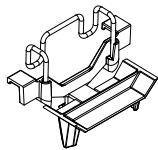
connection carrier baffle 50



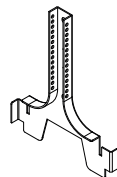
baffle 180x60



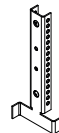
locking clip bandraaster



lower part nonius hanger bandraaster 120



lower part nonius hanger baffle carrier 50



upper part nonius hanger



locking clip nonius hanger



### name

### reference

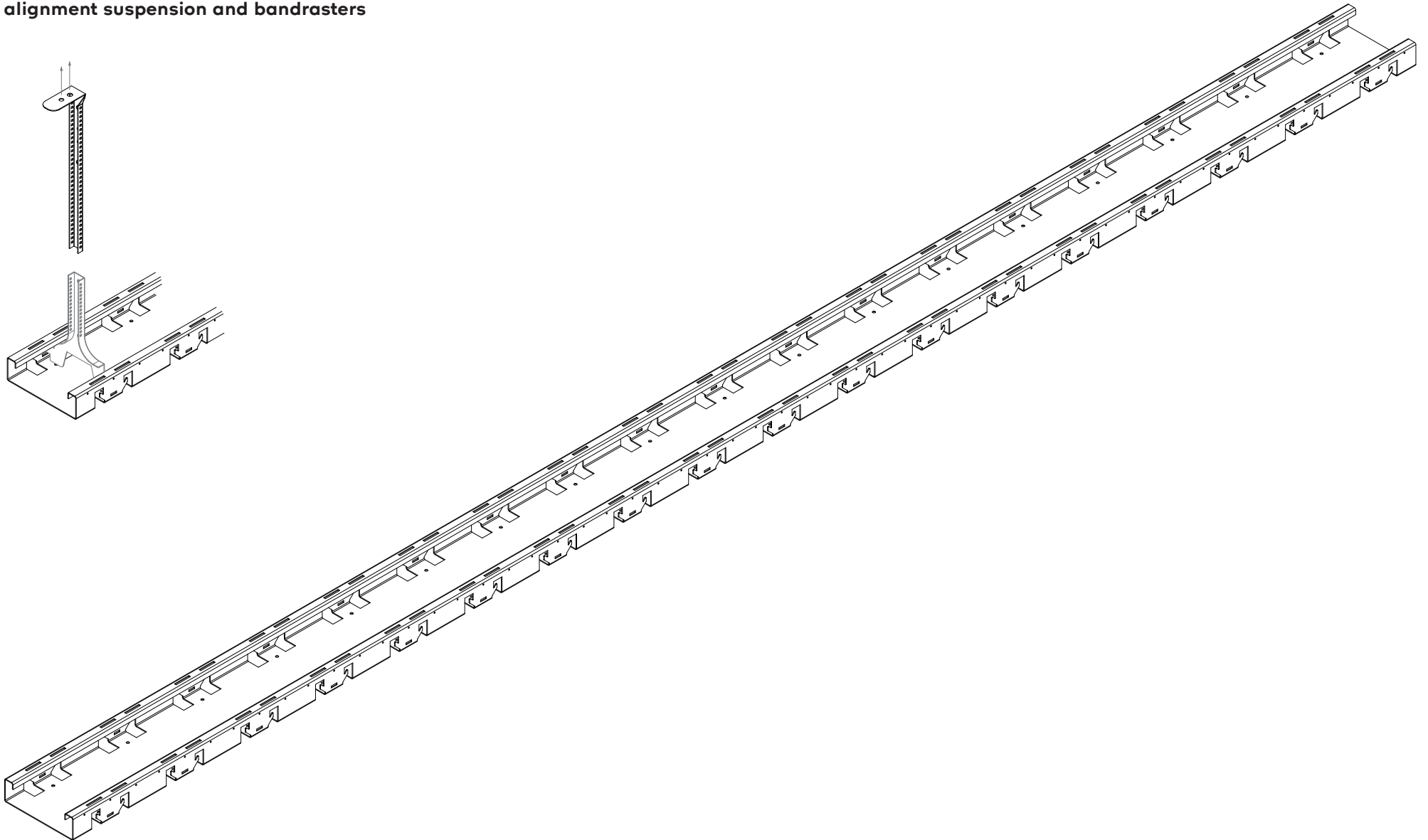
### WxHxL

### color

bandraaster pitch 130	VK77300X	120x35x2340	raI9004/9016
bandraaster pitch 130 firestable	VK77301X	120x35x2340	raI9004/9016
bandraaster pitch 130 - incl. cables	VK77310X	120x35x2340	raI9004/9016
bandraaster pitch 130 - incl. cables firestable	VK77311X	120x35x2340	raI9004/9016
connection bandraaster pitch 130 top	VK77300X	123x10x60	raI9004
connection bandraaster pitch 130 inside	VK77310X	116x31x60	raI9004
baffle 50x60	-	50x60xL	raI9004/9016
baffle 50x180	-	50x180xL	raI9004/9016
baffle carrier 50 pitch 130	VK77400X	50x28x2340	raI9004
connection baffle carrier 50 (top)	VK77400X	53x11x200	raI9004
lower part nonius hanger - bandraaster 120	VK770188	116x155x18	raI9004
lower part nonius hanger - baffle carrier 50	VK770189	40x110x17	raI9004
upper part nonius hanger 24 cm	VK770187-024	16x240x9	black
locking clip nonius hanger	VK710114	24x72 - Ø2.5	black
endcap baffle 50x60	VK774100/RAL90XX		raI9004/9016
endcap baffle 180x60	VK775100/RAL90XX		raI9004/9016
polyester wool 1260x1260x40	VK773120	1260x1260x40	black
polyester wool 1260x150x40	VK773121	1260x150x40	black
polyester wool 630x150x40	VK773122	630x150x40	black
polyester wool 420x150x40	VK773123	420x150x40	black

# kreon installation manual

## 1. alignment suspension and bandrasters

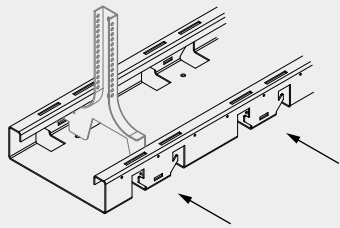


# kreon installation manual

## 1. installation bandrasters

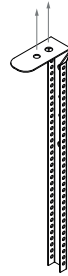
### alignment with bandraster

lower part nonius hanger must be aligned with position of baffle

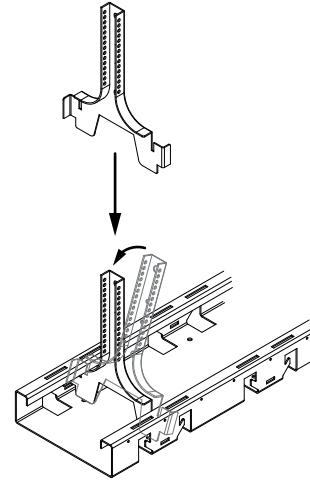


use 3 nonius hangers in 1 bandraster with a pitch of 1,04 m

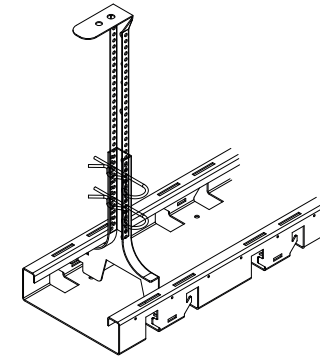
mount the upper nonius to ceiling using the 2 holes provided



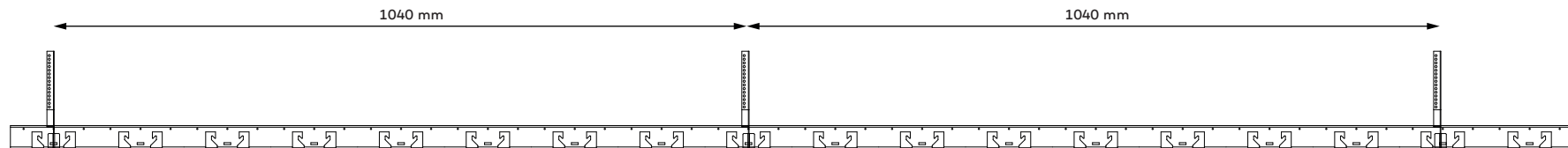
position the lower part nonius hanger in the bandraster



connect lower and upper part nonius hanger with 2 locking clips



keep distance of 1040mm (or less) between nonius hangers  
use each 1040mm nonius hanger sets



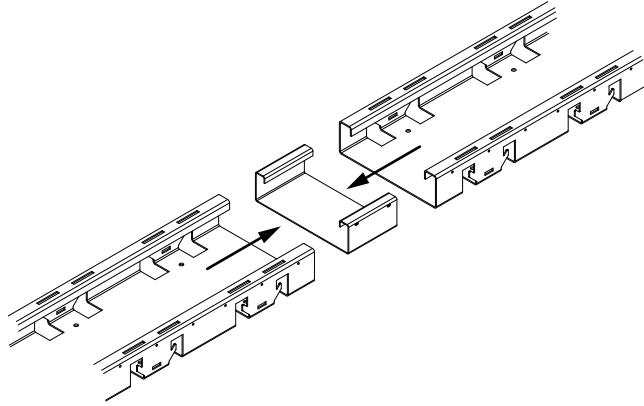
start bandraster

connection to other bandraster

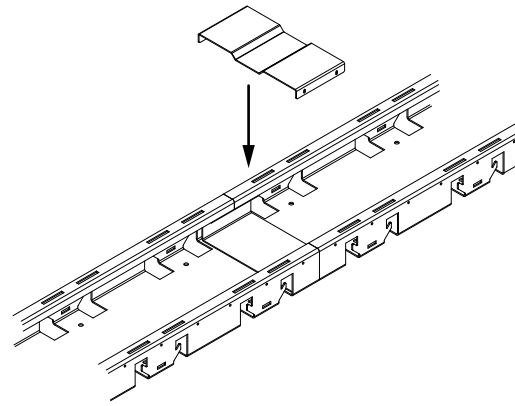
# kreon installation manual

## 2. installation connection bandrasters

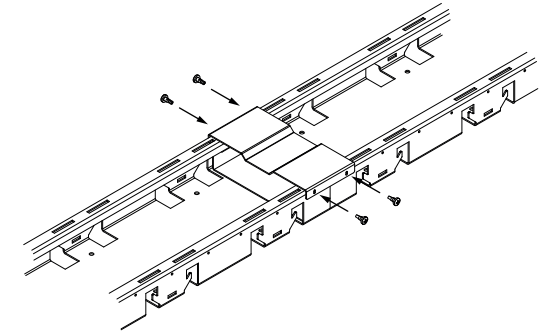
place the inside connection in both bandrasters



place the outside connection on top of the bandrasters



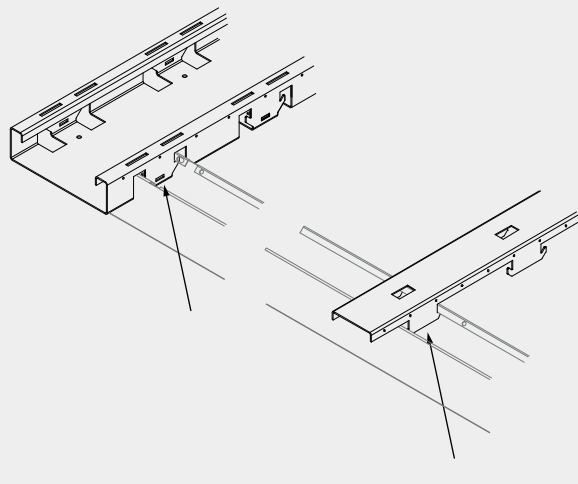
fasten with 2 self-drilling screws on both sides  
outside connection, bandrasters and inside connection



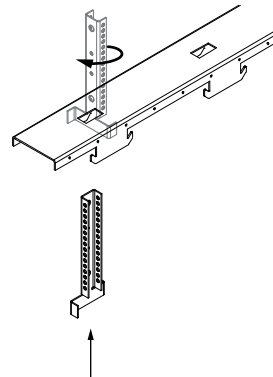
## 3. installation baffle carrier

alignment with bandraster

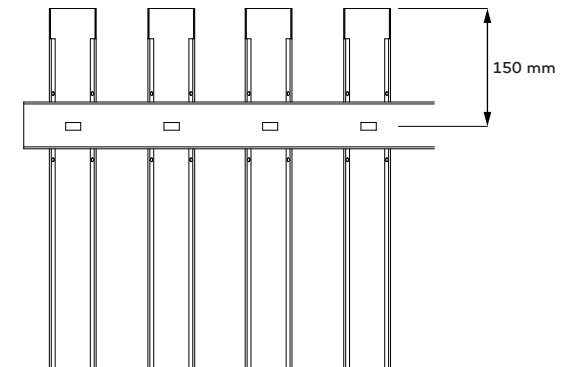
align "hook" detail of bandraster with "hook" detail of baffle carrier



mount lower nonius baffle carrier from below and rotate 90°

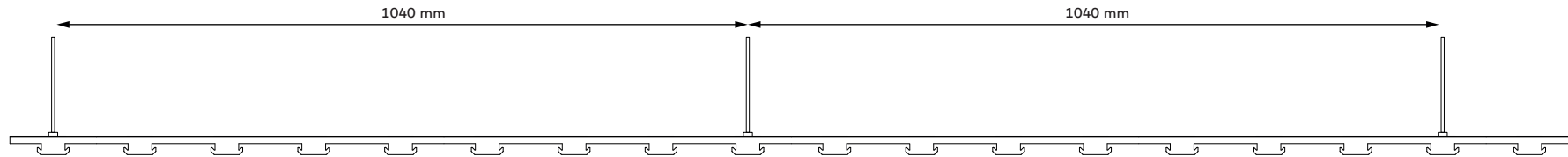


place center of baffle carrier 150mm from middle/end of baffle



# kreon installation manual

keep distance of 1040mm (or less) between nonius hangers  
use each 1040mm nonius hanger sets

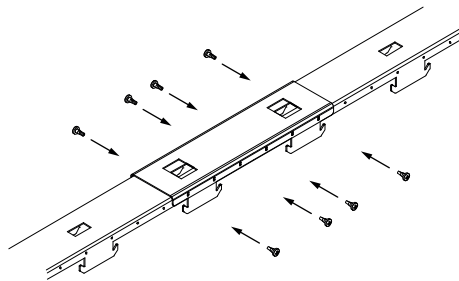
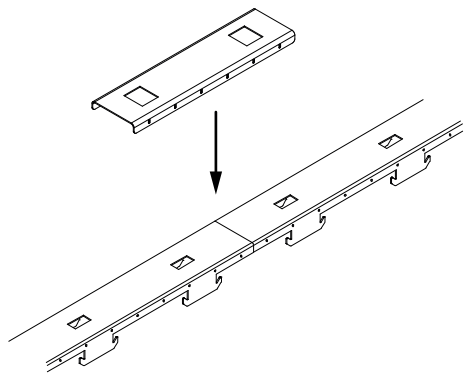


---

## 4. installation connection baffle carriers

place the connection on top of 2 baffle carriers

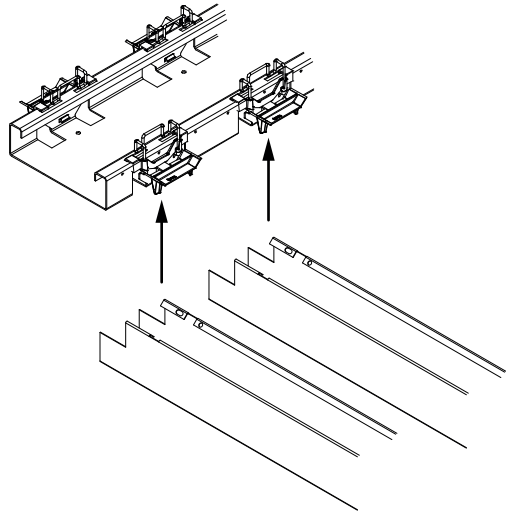
fasten with self-drilling screws on both sides



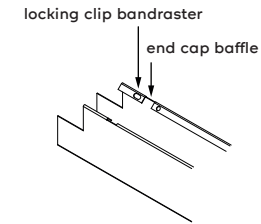
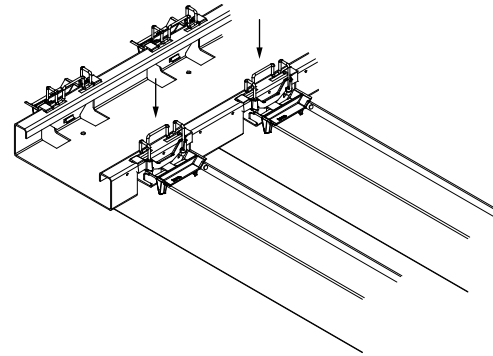
# kreon installation manual

## 5. installation baffles in bandraster

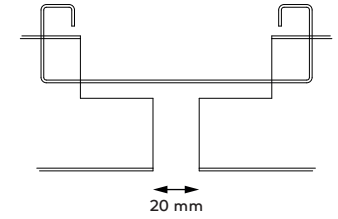
click the baffles in the bandraster from below



push the locking clip of the bandraster downwards in the holes of the baffle

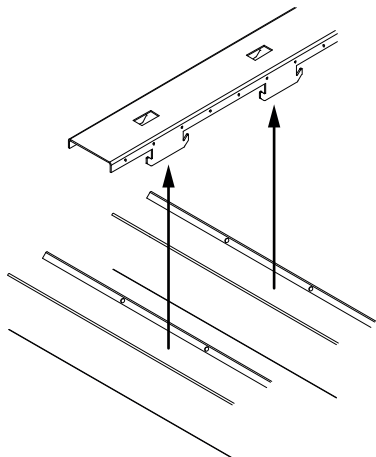


alignment between baffles



## 6. installation baffles in baffle carrier

click the baffles in the baffle carrier from below



pictures

