

# vektron ceiling solutions specification sheet

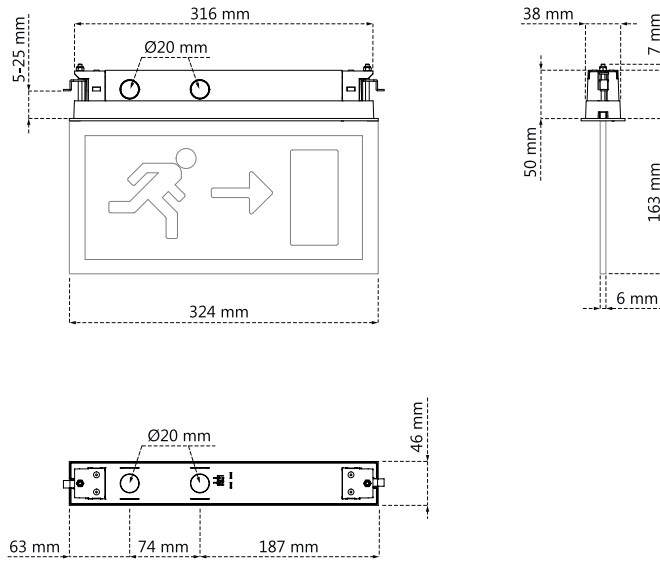
product	emergency signage for vektron ceiling systems
CS790013	grey, 3-pole connector
CS790015	grey, 5-pole connector
CS790113	white, 3-pole connector
CS790115	white, 5-pole connector
CS790315	black, 5-pole connector
<b>general information</b>	
description	minimalistic design emergency luminaire for double sided signage
type	in-tile
housing	powdercoated die-cast zamak
light source	low power LED
optics	sign plate with dot-matrix • acrylic (PMMA)
lumen output in emergency mode	80 lm
function	double sided signage
monitoring	EST+ self-test
connector + cable	3m cable with male connector (3- of 5-pole)
<b>product information</b>	
mechanical properties	
dimensions	324 mm x 46 mm x 60 mm
IP	IP42
IK	IK04
ambient temperature	from 5°C to 35°C
electrical properties	
power	2,5W
voltage	220-230V
frequency	50-60Hz AC
mode of operation	permanent (niet-permanent instelbaar)
battery	4 x NiMh 1,2V 1,1Ah
autonomy	60 minuten
tile properties	
dimensions	according to project specifications
min. width tile	80mm
material	galvanised steel non-perforated or perforated (with acoustic fleece)
surface treatment	polyester powder coating
colour	according to project specifications



# vektron ceiling solutions specification sheet

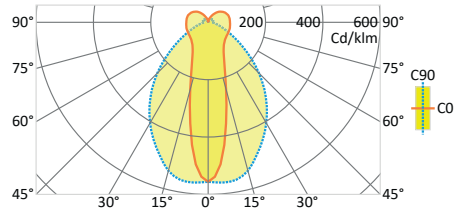
product emergency signage for vektron ceiling systems

## technical drawing



## photometric data

distance of perception 26m



## pictograms

plate double sided

CS790021 CS790121 CS790221



Other pictograms available on request