

kreon holon

kreon holon is a range of surface mounted, track mounted and pendant cylindrical downlights characterised by its compact form and deep set LED position, providing a subtle feeling of light without a possible uncomfortable visual perception. The range uses a variety of LED modules and is available in two diameters to suit spatial requirements. With a choice of fixed or directional units, kreon holon can provide a discreet yet functional solution to general or accent lighting within architecture. Finished in black for a dramatic contrast or pure white.

kreon holon directional is a spotlight with a rotational adjustment of 360° and an angular adjustment of 90°, which when combined with the choice of spot, flood, wide flood, darklight or wide darklight reflector, provides a versatile general or accent lighting tool.

kreon holon fixed can be surface mounted or suspended and is the perfect solution for general or accent lighting and features a spot, flood or wide flood reflector set above the black or white internal louvre. Use kreon holon fixed to create pools or accents of light.

holon 40
148

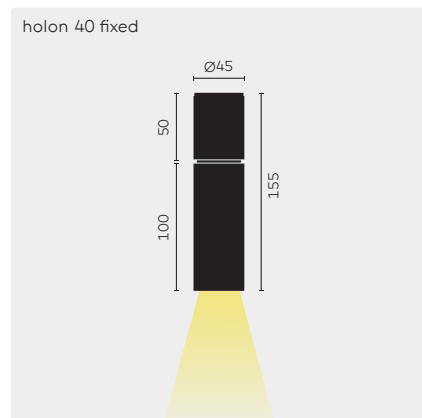
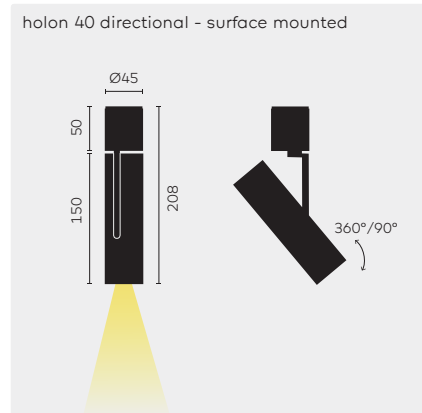


holon 60
152



holon 80
158





	Colour	KR-code	Light sources	9027 2700K, CRI90+	9030 3000K, CRI90+	SP Spot (20°)	FL Flood (30°)	WFL Wide flood (40°)	DL Dark light (38°) ①	MDL Wide dark light (76°) ①	Required accessories	Optional accessories
holon 40 directional surface mounted Gear: excl.	○	KR962301	①	●	●	●	●	●	●	●		■
	●	KR962302	①	●	●	●	●	●	●	●		■
holon 40 directional recessed mounted Gear: excl.	○	KR962311	①	●	●	●	●	●	●	●	■	■
	●	KR962312	①	●	●	●	●	●	●	●	■	■
holon 40 fixed Gear: excl.	○	KR962701	①	●	●	●	●	●	●	●		■
	●	KR962702	①	●	●	●	●	●	●	●		■

■ Required accessories

Plasterkit	KR707104	Plasterkit, trimless finish, for holon 40 directional recessed mounted ⌀ Ø63
------------	--------------------------	--

■ Optional accessories

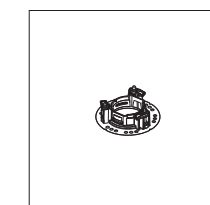
Driver	KR762700	LED driver, 700mA, ON/OFF, 11W ②
	KR762902	LED driver, 700mA, 1-10V, 25W (IP67) ②
	KR752633	LED driver, 700mA, DALI, 20W ③
Installation cover	KR762501	Installation cover, white
	KR762502	Installation cover, black
Lenses and louvres for SP, FL, WFL	KR762000	Anti-glare louvre
	KR762200	Diffusing lens

		CRI	CCT	Voltage	Wattage	Drive current	Fixture lumen
①	FL	CRI90+	2700K/3000K		8,4W	700mA	558lm
	darklight	CRI90+	2700K/3000K		8,4W	700mA	417lm

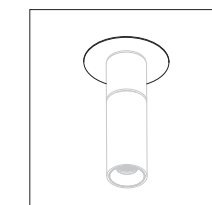
REMARKS

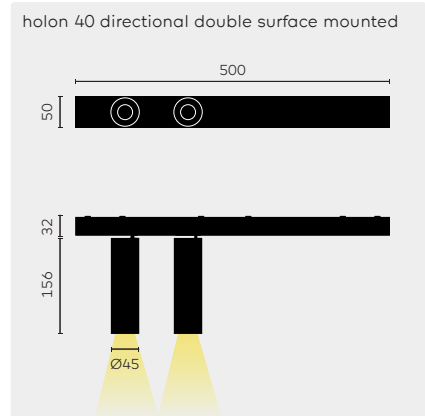
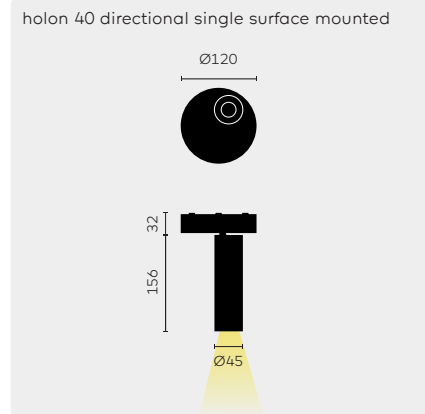
- ① Only available in combination with black louvre and CRI90+
 - ② Driver fits through the installation hole of the kreon holon 40 directional, recessed mounted. Minimum installation depth is 180mm.
 - ③ Should be placed on remote.
- ⌀ IP40

Plasterkit



Installation cover





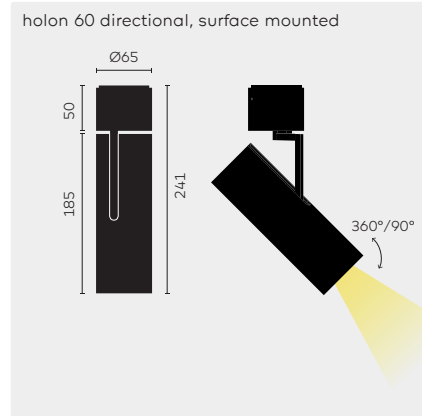
	Colour	KR-code	Light sources	9027 2700K, CRI90+	9030 3000K, CRI90+	SP Spot (20°)	FL Flood (30°)	WFL Wide flood (40°)	DL Dark light (38°) ①	MDL Wide dark light (76°) ①	PD phase dimming	VD 1-10V dimming	DD DALI dimming	CD casambi dimming	Optional accessories
	○	KR962501	①	●	●	●	●	●	●	●	●				■
	●	KR962502	①	●	●	●	●	●	●	●	●				■
	○	KR962511	②	●	●	●	●	●	●	●	●	●	●	●	■
	●	KR962512	②	●	●	●	●	●	●	●	●	●	●	●	■
Optional accessories															
Lenses and louvres for SP, FL, WFL				KR762000		Anti-glare louvre									
				KR762200		Diffusing lens									

		CRI	CCT	Voltage	Wattage	Drive current	Fixture lumen
①	LED	CRI90+	2700K/3000K	230V	8,4W	700mA	558lm
	darklight	CRI90+	2700K/3000K	230V	8,4W	700mA	417lm
②	LED	CRI90+	2700K/3000K	230V	2x 8,4W	700mA	2x 558lm
	darklight	CRI90+	2700K/3000K	230V	2x 8,4W	700mA	2x 417lm

REMARKS

① Only available in combination with black louvre. Not compatible with lenses.

◆ IP40



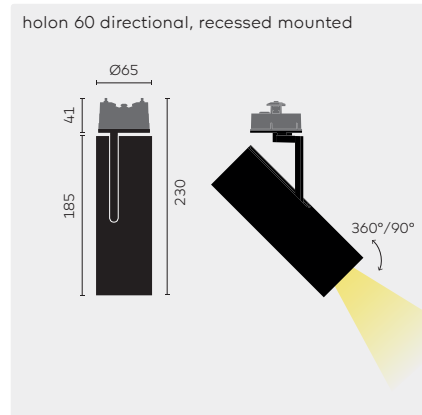
holon 60 directional surface mounted, low louvre
Gear: incl. ②

holon 60 directional surface mounted, deep recessed louvre
Gear: incl. ②

Colour	KR-code	Light sources	9027 2700K, CRI90+	9030 3000K, CRI90+	9040 4000K, CRI90+	9527 2700K, CRI95+	9530 3000K, CRI95+	9540 4000K, CRI95+	SSP Superspot (18°)	SP Spot (33°)	FL Flood (54°)	WFL Wide flood (69°)	SW ON/OFF	DD DALI dimming ①
○	KR962461	①	●	●	●	●	●	●	●	●	●	●	●	●
●	KR962462	①	●	●	●	●	●	●	●	●	●	●	●	●
○	KR962161	②	●	●	●	●	●	●	●	●	●		●	●
●	KR962162	②	●	●	●	●	●	●	●	●	●		●	●
◐	KR962165	②	●	●	●	●	●	●	●	●	●		●	●

			CRI	CCT	Voltage	Wattage	Fixture lumen
①	LED SSP 6 SP	CRI90	2700K/3000K/4000K	230V	10,2W	808lm	
		CRI95	2700K/3000K/4000K			727lm	
	FL 6 WFL	CRI90	2700K/3000K/4000K	230V	11,9W	1211lm	
		CRI95	2700K/3000K/4000K			1090lm	
②	LED SSP 6 SP	CRI90	2700K/3000K/4000K	230V	10,2W	788lm	
		CRI95	2700K/3000K/4000K			709lm	
	FL	CRI90	2700K/3000K/4000K	230V	11,9W	1146lm	
		CRI95	2700K/3000K/4000K			1031lm	

REMARKS
① Dali-2, push dimming
● white luminaire with black louvre
IP40



	Colour	KR-code	Light sources	9027 2700K, CRI90+	9030 3000K, CRI90+	9040 4000K, CRI90+	9527 2700K, CRI95+	9530 3000K, CRI95+	9540 4000K, CRI95+	SSP Superspot (18°)	SP Spot (33°)	FL Flood (54°)	WFL Wide flood (69°)	Required accessories	Optional accessories
holon 60 directional recessed mounted, low louver Gear: excl.	○	KR962371	①	●	●	●	●	●	●	●	●	●	■	■	
	●	KR962372	①	●	●	●	●	●	●	●	●	●	●	■	■
holon 60 directional recessed mounted, deep recessed louver Gear: excl.	○	KR962271	②	●	●	●	●	●	●	●	●	●	■	■	
	●	KR962272	②	●	●	●	●	●	●	●	●	●	●	■	■
	◐	KR962275	②	●	●	●	●	●	●	●	●	●	●	■	■
■ Required accessories															
Plasterkit		KR707164	Plasterkit, trimless finish, for holon 60 directional recessed mounted, ∅ 83mm												
		KR707161	Plasterkit concrete, trimless finish, for holon 60 directional recessed mounted												
■ Optional accessories															
Driver 300mA for SSP & SP		KR747464	LED Driver, 300mA, ON/OFF, 16W ①												
		KR747562	LED Driver, 300mA, 1-10V, push dim, 15W ①												
		KR747666	LED Driver, 300mA, DALI, 16W ①												
		KR772209	LED Driver, 300mA, Casambi, 16W ①												
Driver 500mA for FL & WFL		KR772024	LED Driver, 500mA, ON/OFF, 20W ①												
		KR772220	LED Driver, 500mA, 1-10V, push-dim, 20W ①												
		KR772223	LED Driver, 500mA, DALI, 20W ①												
		KR772229	LED Driver, 500mA, Casambi, 27W ①												

			CRI	CCT	Wattage	Drive current	Fixture lumen
①	LED SSP & SP	CRI90	2700K/3000K/4000K	10,2W	300mA	808lm	
		CRI95	2700K/3000K/4000K			727lm	
	FL & WFL	CRI90	2700K/3000K/4000K	18,5W	500mA	1616lm	
		CRI95	2700K/3000K/4000K			1454lm	
②	LED SSP & SP	CRI90	2700K/3000K/4000K	10,2W	300mA	788lm	
		CRI95	2700K/3000K/4000K			709lm	
	FL	CRI90	2700K/3000K/4000K	18,5W	500mA	1523lm	
		CRI95	2700K/3000K/4000K			1370lm	

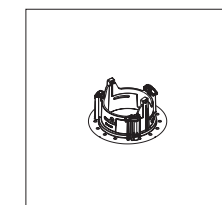
REMARKS

① Plenum height needs to be 150mm to push driver through plasterkit

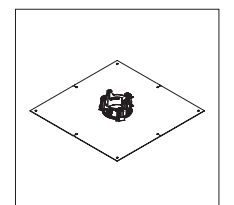
● white luminaire with black louver

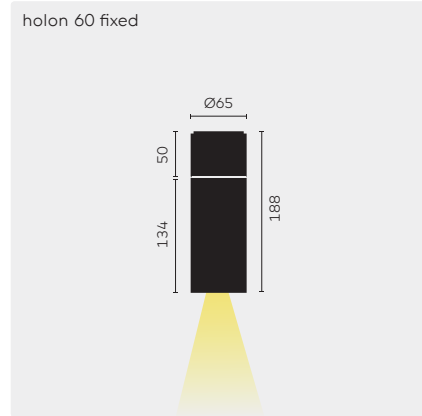
IP40




Plasterkit



Plasterkit concrete





	Colour	KR-code	Light sources	9027 2700K, CRI90+	9030 3000K, CRI90+	9040 4000K, CRI90+	9527 2700K, CRI95+	9530 3000K, CRI95+	9540 4000K, CRI95+	SSP Superspot (18°)	SP Spot (33°)	FL Flood (54°)	WFL Wide flood (69°)	SW ON/OFF	DD DALI dimming 1	Optional accessories	
 holon 60 fixed surface mounted, low louvre Gear: incl. ④	○	KR962861	①	●	●	●	●	●	●	●	●	●	●	●	●		
	●	KR962862	①	●	●	●	●	●	●	●	●	●	●	●	●	●	
 holon 60 fixed surface mounted, low louvre Gear: excl. ④	○	KR962761	②	●	●	●	●	●	●	●	●	●	●			■	
	●	KR962762	②	●	●	●	●	●	●	●	●	●	●	●			■
 holon 60 fixed surface mounted, deep recessed louvre Gear: excl. ④	○	KR962661	③	●	●	●	●	●	●	●	●	●	●			■	
	●	KR962662	③	●	●	●	●	●	●	●	●	●	●	●			■
	◐	KR962665	③	●	●	●	●	●	●	●	●	●	●	●			■

Required accessories

Plasterkit	KR707164	Plasterkit, trimless finish, for holon 60 directional recessed mounted, Ø 83mm
	KR707161	Plasterkit concrete, trimless finish, for holon 60 directional recessed mounted

Optional accessories

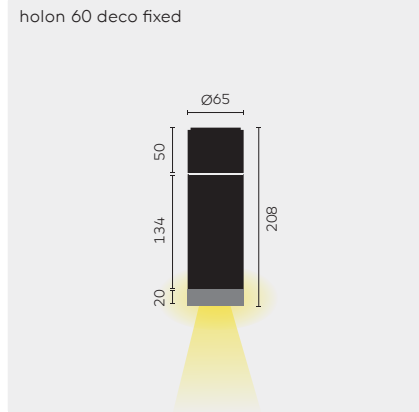
Driver 300mA for SSP & SP	KR747464	LED Driver, 300mA, ON/OFF, 16W
	KR747562	LED Driver, 300mA, 1-10V, push dim, 15W
	KR747666	LED Driver, 300mA, DALI, 16W
	KR772209	LED Driver, 300mA, Casambi, 16W
Driver 500mA for FL & WFL	KR772024	LED Driver, 500mA, ON/OFF, 20W
	KR772220	LED Driver, 500mA, 1-10V, push-dim, 20W
	KR772223	LED Driver, 500mA, DALI, 20W
	KR772229	LED Driver, 500mA, Casambi, 27W

		CRI	CCT	Voltage	Wattage	Drive current	Fixture lumen
①	LED SSP & SP	CRI90	2700K/3000K/4000K	230V	10,2W	300mA	808lm
		CRI95	2700K/3000K/4000K				727lm
	FL & WFL	CRI90	2700K/3000K/4000K	230V	11,9W		1211lm
		CRI95	2700K/3000K/4000K				1090lm
②	LED SSP & SP	CRI90	2700K/3000K/4000K	230V	10,2W	500mA	808lm
		CRI95	2700K/3000K/4000K				727lm
	FL & WFL	CRI90	2700K/3000K/4000K	230V	18,5W		1616lm
		CRI95	2700K/3000K/4000K				1454lm
③	LED SSP & SP	CRI90	2700K/3000K/4000K	230V	10,2W	500mA	788lm
		CRI95	2700K/3000K/4000K				709lm
	FL & WFL	CRI90	2700K/3000K/4000K	230V	18,5W		1523lm
		CRI95	2700K/3000K/4000K				1370lm

REMARKS

- ① Dali-2, pushdimming
- ◐ white luminaire with black louvre

IP40



holon 60 deco fixed surface mounted, low louvre
Gear: excl. ♦

■ **Optional accessories**

Driver 300mA for SSP & SP

Driver 500mA for FL

Colour	KR-code	Light sources	9027 2700K, CRI90+	9030 3000K, CRI90+	9040 4000K, CRI90+	9527 2700K, CRI95+	9530 3000K, CRI95+	9540 4000K, CRI95+	SSP Superspot (18°)	SP Spot (33°)	FL Flood (54°)	Optional accessories
--------	---------	---------------	-----------------------	-----------------------	-----------------------	-----------------------	-----------------------	-----------------------	------------------------	------------------	-------------------	----------------------

○	KR962561	①	●	●	●	●	●	●	●	●	●	■
●	KR962562	①	●	●	●	●	●	●	●	●	●	■

[KR747464](#) LED Driver, 300mA, ON/OFF, 16W

[KR747562](#) LED Driver, 300mA, 1-10V, 15W

[KR747666](#) LED Driver, 300mA, DALI, 16W

[KR772209](#) LED Driver, 300mA, Casambi, 16W

[KR772024](#) LED Driver, 500mA, ON/OFF, 20W

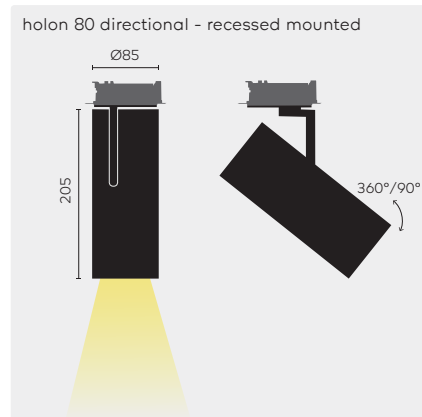
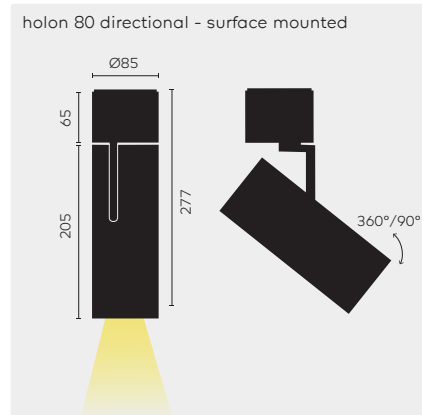
[KR772220](#) LED Driver, 500mA, 1-10V, Push-dim, 20W

[KR772223](#) LED Driver, 500mA, DALI, 20W

[KR772229](#) LED Driver, 500mA, Casambi, 27W

		CRI	CCT	Voltage	Wattage	Drive current	Fixture lumen
① LED SSP & SP	CRI90	2700K/3000K/4000K			10,2W	300mA	TBD
	CRI95	2700K/3000K/4000K					TBD
FL	CRI90	2700K/3000K/4000K			18,5W	500mA	TBD
	CRI95	2700K/3000K/4000K					TBD

REMARKS
IP40



	Colour	KR-code	Light sources	8327 2700K, CRI83	8330 3000K, CRI83	8340 4000K, CRI83	9027 2700K, CRI90	9030 3000K, CRI90	9040 4000K, CRI90	9827 2700K, CRI98	9830 3000K, CRI98	9840 4000K, CRI98	SP Spot (14°)	FL Flood (30°)	WFL Wide flood (38°)	SW Switchable on/off	VD 1-10V dimming	DD DALI dimming	Required accessories	Optional accessories
holon 80 directional surface mounted Gear: incl.	○	KR962221	①	●	●	●	●	●	●	●	●	●	●	●	●	●	●	●	■	■
	●	KR962222	①	●	●	●	●	●	●	●	●	●	●	●	●	●	●	●	●	■
holon 80 directional recessed mounted Gear: excl.	○	KR962431	②	●	●	●	●	●	●	●	●	●	●	●	●				■	■
	●	KR962432	②	●	●	●	●	●	●	●	●	●	●	●	●	●				■
■ Required accessories																				
Plasterkit																				
KR717104 Plasterkit, no shadowgap, trimless finishing ∅ Ø102																				
KR717108 Plasterkit, shadowgap, trimless finishing ∅ Ø102																				
■ Optional accessories																				
Lenses and louvres ①																				
KR762002 Anti-glare louvre																				
KR726100 Sculpture lens																				
KR726200 Diffusing lens																				
Driver																				
KR772140 LED driver, 1050mA, ON/OFF, 36W																				
KR772142 LED driver, 1050mA, 1-10V, 39W																				
KR772143 LED driver, 1050mA, DALI, 35W																				

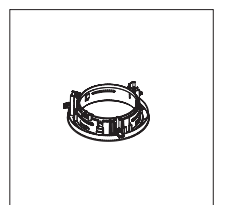
	CRI	CCT	Voltage	Wattage	Drive current	Fixture lumen
① LED	CRI83	2700K/3000K/4000K	230V	15,2W		2415lm
	CRI90	2700K/3000K/4000K	230V	17,1W		1610lm
	CRI98	2700K/3000K/4000K	230V	12,9W		1610lm
② LED	CRI83	2700K/3000K/4000K		25,6W	1050mA	2415lm
	CRI90	2700K/3000K/4000K		25,6W	1050mA	2415lm
	CRI98	2700K/3000K/4000K		20W	1050mA	1610lm

REMARKS

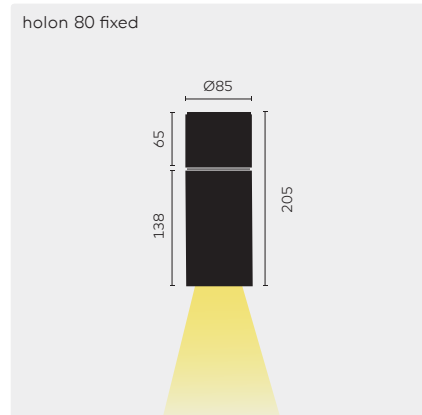
① One optional lens or louvre possible

IP40

Plasterkit



kreon holon 80



	Colour	KR-code	Light sources	8327 2700K, CRI83	8330 3000K, CRI83	8340 4000K, CRI83	9027 2700K, CRI90	9030 3000K, CRI90	9040 4000K, CRI90	9827 2700K, CRI98	9830 3000K, CRI98	9840 4000K, CRI98	SP Spot (14°)	FL Flood (30°)	WFL Wide flood (38°)	SW Switchable ON/OFF	VD 1-10V dimming	DD DALI dimming	Optional accessories
holon 80 fixed Gear: incl.	○	KR962821	①	●	●	●	●	●	●	●	●	●	●	●	●	●	●	●	■
	●	KR962822	①	●	●	●	●	●	●	●	●	●	●	●	●	●	●	●	●
holon 80 fixed Gear: excl.	○	KR962631	②	●	●	●	●	●	●	●	●	●	●	●	●				■
	●	KR962632	②	●	●	●	●	●	●	●	●	●	●	●	●				■
Optional accessories																			
Lenses and louvres (only for LED, gear incl.) ①																			
KR762002 Anti-glare louvre																			
KR726100 Sculpture lens																			
KR726200 Diffusing lens																			
Driver ②																			
KR772140 LED driver, 1050mA, ON/OFF, 36W																			
KR772142 LED driver, 1050mA, 1-10V, 39W																			
KR772143 LED driver, 1050mA, DALI, 35W																			

	CRI	CCT	Voltage	Wattage	Drive current	Fixture lumen
① LED	CRI83	2700K/3000K/4000K	230V	15,2W		2415lm
	CRI90	2700K/3000K/4000K	230V	17,1W		1610lm
	CRI98	2700K/3000K/4000K	230V	12,9W		1610lm
② LED	CRI83	2700K/3000K/4000K		25,6W	1050mA	2415lm
	CRI90	2700K/3000K/4000K		25,6W	1050mA	2415lm
	CRI98	2700K/3000K/4000K		20W	1050mA	1610lm

REMARKS

- ① One optional lens or louvre possible.
- ② Driver fits through plasterkit

IP40