

# LICHTLABO

## Explanation of a Lighting-file

KR 976123 \_ 1x 050 - A 00 0 0 0 .LDT  
 .IES  
 ABCDEF G HI JKL M N OP Q R S

A First digit of the articlecode

2 = Standard  
 9 = Standard  
 C = Ceiling-version  
 L = In Line  
 B = For Regard lamptype B  
 X = EXperimental stage  
 Y = Deviation due to complexity in the filename

BCDEF 5 following numbers of articlecode

G Underscore for a clear overview

HI Number of lamps

JKL Wattage

M Dash for a clear overview

N Type lamp

0 = A60  
 1 = QPAR16  
 2 = QPAR30  
 3 = QT32  
 4 = QT-DE12  
 5 = QT9-ax  
 6 = QT12-ax  
 7 = QR-LP111  
 8 = QR-CBC25  
 9 = QR-CBC35  
 A = QR-CBC51  
 B = HIT  
 C = HIT-TC  
 D = HIT-TC-CE  
 E = HIT-DE  
 F = HIPAR20  
 G = HIPAR-L30  
 H = HIPAR111  
 I = TC-TSE  
 J = TC-S  
 K = TC-SEL  
 L = TC-DEL  
 M = TC-TEL  
 N = TC-L  
 O = T2  
 P = T16  
 Q = T26  
 R = LED  
 S = CDM-Tr51  
 T = PLR-ECO  
 X = Mixed

OP	Type of reflector
	00 = no reflector
	01 = 1°
	02 = 2°
	...
	99 = 99°
	AG= <b>A</b> nti- <b>G</b> lare
	C0 = <b>C</b> adre T16 reflector
	Prologe T16 reflector
	Prologe In Line T16 reflector
	Prologe In Dolma T16 reflector
	Prologe On Regule T16 reflector
	D0 = <b>D</b> own TC-L reflector
	D1 = <b>D</b> own TC-TEL 1x 18-26W reflector
	D2 = <b>D</b> own TC-TEL 2x 18-26W reflector
	D3 = Flat mini <b>D</b> own QT9-ax reflector
	D4 = <b>D</b> own In Line TC-L reflector
	D5 = <b>D</b> iapason PLR-ECO reflector
	D6 = Super <b>D</b> own reflector 3xTC-L
	E0 = <b>E</b> liks reflector
	Onn Wall TC-L reflector
	L0 = <b>L</b> igna reflector
	O0 = <b>O</b> nn TC-L Direct/Indirect reflector
	O1 = <b>O</b> nn TC-L Direct/Indirect reflector BB
	O2 = <b>O</b> nn QT-de12 reflector
	<b>O</b> nn HIT-DE reflector
	<b>O</b> nn Corner QT-DE12 reflector
	<b>O</b> nn Corner HIT-DE reflector
	Secret QT-DE12 reflector
	P0 = <b>P</b> rologe TC-DEL reflector
	P1 = <b>P</b> rologe QT-DE12 reflector
	R0 = <b>R</b> egard TC-L reflector
	<b>R</b> egard Double TC-L reflector
	R1 = <b>R</b> egard Double HIT-TC reflector
	S0 = <b>S</b> ide straight mat
	S1 = <b>S</b> ide straight mirror
	S2 = <b>S</b> ide millerighe
	T0 = <b>T</b> enno LED Lens
	U0 = <b>U</b> p TC-L reflector
	U1 = <b>U</b> p TC-DEL reflector
	U2 = <b>U</b> p HIT-DE reflector
	U3 = Flat <b>U</b> p QT9-ax reflector
	X0 = KR720002
	<b>X</b> haron QT12-ax Spot reflector
	<b>X</b> haron on Styx QT12-ax Spot reflector
	Holon QT12-ax Spot
	Aplis QT12-ax Spot
	X1 = KR720082
	<b>X</b> haron HIT-TC Spot reflector
	<b>X</b> haron on Styx HIT-TC Spot reflector
	Holon HIT-TC Spot
	Aplis HIT-TC Spot
	X2 = KR720072
	<b>X</b> haron HIT Spot reflector
	<b>X</b> haron on Styx HIT Spot reflector
	X3 = KR720004
	<b>X</b> haron QT12-ax Flood reflector
	<b>X</b> haron on Styx QT12-ax Flood reflector
	Holon QT12-ax Flood
	Aplis QT12-ax Flood

- X4 = KR720084  
 Xharon HIT-TC Flood reflector  
 Xharon on Styx HIT-TC Flood reflector  
 Holon HIT-TC Flood  
 Aplis HIT-TC Flood
- X5 = KR720074  
 Xharon HIT Flood reflector  
 Xharon on Styx HIT Flood reflector
- X6 = KR720006  
 Xharon QT12-ax Wide Flood reflector  
 Xharon on Styx QT12-ax Wide Flood reflector  
 Holon QT12-ax Wide Flood  
 Aplis QT12-ax Wide Flood
- X7 = KR720086  
 Xharon HIT-TC Wide Flood reflector  
 Xharon on Styx HIT-TC Wide Flood reflector  
 Holon HIT-TC Wide Flood  
 Aplis HIT-TC Wide Flood
- X8 = KR720076  
 Xharon HIT Wide Flood reflector  
 Xharon on Styx HIT Wide Flood reflector
- X9 = KR720631  
 Xharon Wallwasher reflector  
 Xharon on Styx Wallwasher reflector  
 Holon HIT-TC Wall-washer  
 Aplis Wall Washer

Q Accessories

- 0 = no accessory  
 1 = Louvre matt alu  
 2 = Louvre white  
 3 = Louvre silk grey  
 4 = Louvre dark grey  
 5 = Louvre black  
 6 = Louvre high gloss black  
 7 = Louvre darklight white  
 8 = Louvre darklight dark grey  
 9 = Louvre darklight black  
 A = Louvre curved alu mat  
 B = Louvre straight white  
 C = Louvre straight grey  
 D = Oblique alu matt  
 E = Oblique white  
 F = Oblique grey  
 G = Obliqu dark grey  
 H = Oblique black  
 I = Oblique Gold  
 J = Curved with crossblades  
 K = Darklight Alu matt

R Filter/glass/lense

- 0 = No filter/glass/lens  
 1 = Anti glare louvre  
 2 = Sculpture lens  
 3 = Diffusing lens  
 4 = Frosted plexi glass  
 5 = UV Filter/ UV Glass  
 6 = Matt/Frosted glass  
 7 = Clear glass  
 8 = IR Filter  
 9 = Skintone Filter  
 A = Daylight conv.  
 B = Prismatic plastic  
 C = Frosted UV-glass

D = Acrylic cylinder  
 E = Smoothing glass  
 F = Softening Lens

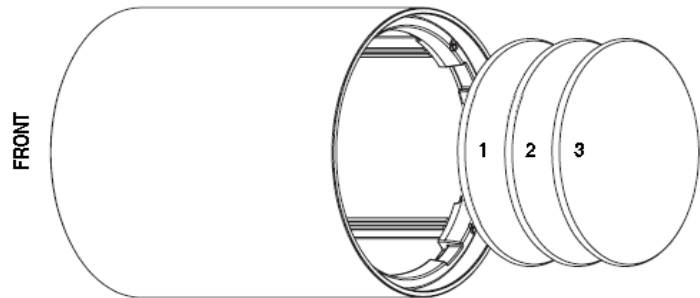
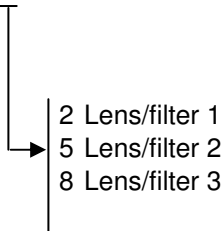
S Options

0 = No option  
 1 = Upperglass  
 2 = Glare preventor short H150  
 3 = Glare preventor long H240  
 4= Glare preventor short straight H90  
 5= Glare preventor short H100  
 6 = Glare preventor long H135  
 7 = Glare preventor short straight H60  
 8 = Glare preventor straight H50

# DEVIATIONS IN THE FILENAMES

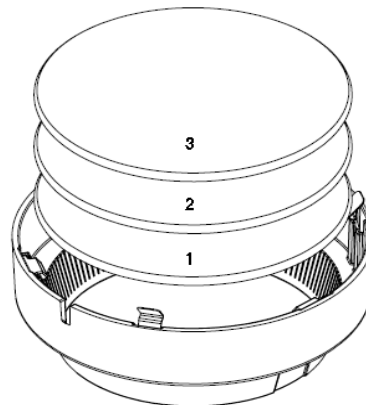
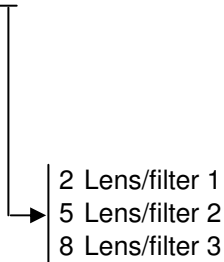
Xharon/Holon

Y21212\_1x050-6X0\_258



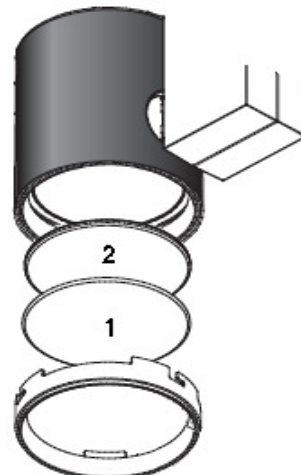
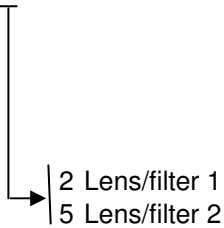
Aplis

Y17853\_1x050-H10\_258



Erubo

Y21661\_1x020-D16\_25



**It is also possible to encounter the following older filenames:**

90250301: Down QR111 75W Matt Glass Beam 08°  
 90250302: Down QR111 75W Matt Glass Beam 24°  
 90250303: Down QR111 75W Matt Glass Beam 45°  
 90252301: Down HIT 70W Clear Glass  
 90252302: Down HIT 70W Matt Glass  
 90253301: Mini Down QR-CBC51 50W No glass Beam 10°  
 90253302: Mini Down QR-CBC51 50W No glass Beam 38°  
 90253303: Mini Down QR-CBC51 50W Matt Glass Beam 10°  
 90253304: Mini Down QR-CBC51 50W Matt Glass Beam 38°  
 90254301: Down TC-D 10W No glass  
 90254302: Down TC-D 10W Matt Glass  
 90256302: Mini Down QR-CBC35 50W No glass Beam 38°  
 90257301: Mini Down QR-CBC51 50W No glass Beam 10°  
 90257302: Mini Down No glass Beam 38°  
 90258301: Flat Mini Down QT9-ax 20W Matt Glass  
 90259301: Micro Down QR-CBC35 20W No glass Beam 10°  
 90259302: Micro Down No glass Beam 38°  
 90610301: Diapason QR-CBC51 50W No glass Beam 10°  
 90610302: Diapason QR-CBC51 50W No glass Beam 10° louver  
 90610303: Diapason QR-CBC51 50W No glass Beam 10° Sculpture  
 90610304: Diapason QR-CBC51 50W No glass Beam 10° Diffusing  
 90610305: Diapason QR-CBC51 50W No glass Beam 10°  
 90610306: Diapason QR-CBC51 50W No glass Beam 10° Red Glass  
 90610307: Diapason QR-CBC51 50W No glass Beam 10° Pink Glass  
 90610308: Diapason QR-CBC51 50W No glass Beam 10° Light Blue Glass  
 90610309: Diapason QR-CBC51 50W No glass Beam 10°  
 90610310: Diapason QR-CBC51 50W No glass Beam 10° Green Glass  
 90610311: Diapason QR-CBC51 50W No glass Beam 10° Yellow Glass  
 90610312: Diapason QR-CBC51 50W No glass Beam 10° Glare Preventor  
 90610313: Diapason QR-CBC51 50W No glass Beam 38°  
 90610324: Diapason QR-CBC51 50W No glass Beam 38° Glare Preventor  
 90611301: Diapason QR111 50W No glass Beam 04°  
 90611303: Diapason QR111 50W No glass Beam 04° Sculpture  
 90611304: Diapason QR111 50W No glass Beam 04° Diffusing  
 90611313: Diapason QR111 50W No glass Beam 08°  
 90611325: Diapason QR111 50W No glass Beam 24°  
 90611327: Diapason QR111 50W No glass Beam 24° Sculpture  
 90611328: Diapason QR111 50W No glass Beam 24° Diffusing  
 90611337: Diapason QR111 50W No glass Beam 08°  
 90611338: Diapason QR111 50W No glass Beam 24°  
 90611339: Diapason QR111 50W No glass Beam 45°  
 906113x1: Diapason QR111 50W No glass Beam 08°  
 906113x2: Diapason QR111 50W No glass Beam 24°  
 906113x3: Diapason QR111 50W No glass Beam 45°  
 90612301: Diapason QT12-ax 50W No glass Beam 10°  
 90612302: Diapason QT12-ax 50W No glass Beam 10° louver  
 90612303: Diapason QT12-ax 50W No glass Beam 10° Sculpture  
 90612304: Diapason QT12-ax 50W No glass Beam 10° Diffusing  
 90612305: Diapason QT12-ax 50W No glass Beam 10°  
 90612306: Diapason QT12-ax 50W No glass Beam 10° Red Glass  
 90612307: Diapason QT12-ax 50W No glass Beam 10° Pink Glass  
 90612308: Diapason QT12-ax 50W No glass Beam 10° Light Blue Glass  
 90612309: Diapason QT12-ax 50W No glass Beam 10°  
 90612310: Diapason QT12-ax 50W No glass Beam 10° Green Glass  
 90612311: Diapason QT12-ax 50W No glass Beam 10° Yellow Glass  
 90612312: Diapason QT12-ax 50W No glass Beam 10° Red Dichroic  
 90612313: Diapason QT12-ax 50W No glass Beam 10° Purple Dichroic  
 90612314: Diapason QT12-ax 50W No glass Beam 10°  
 90612315: Diapason QT12-ax 50W No glass Beam 10° Green Dichroic

90612316: Diapason QT12-ax 50W No glass Beam 10° Yellow Dichroic  
90612317: Diapason QT12-ax 50W No glass Beam 10° Glare Preventor  
90612318: Diapason QT12-ax 50W No glass Beam 30°  
90612319: Diapason QT12-ax 50W No glass Beam 30° Glare Preventor  
90612320: Diapason QT12-ax 50W No glass Wallwasher  
90612321: Diapason QT12-ax 50W No glass Wallwasher Glare Preventor  
90613301: Diapason QPAR30 75W No glass Beam 10°  
90613302: Diapason QPAR30 75W No glass Beam 30°  
90616301: Diapason QPAR16 50W No glass Beam 40°  
90616302: Diapason QPAR16 50W No glass Beam 40° Glare Preventor  
90617301: Diapason Saver TC-TSE 30W  
90620901: Diapason Outdoor QT12-ax 50W No glass Beam 30°  
90620902: Diapason Outdoor QT12-ax 50W No glass Beam 60°  
90631301: Diapason Softline A60 40W  
91821383: Down In Line QR-CBC51 50W No glass Beam 10° Grey Louver  
91821389: Down In Line QR-CBC51 50W No glass Beam 38° Grey Louver  
91833383: Down In Line QPAR30 75W No glass Beam 10°  
91833389: Down In Line QPAR30 75W No glass Beam 30°  
91834383: Down In Line HIT-DE 70W Diffusing Glass Grey Louver  
91835383: Down In Line HIT-DE 150W Diffusing Glass Grey Louver  
92821383: Down In Line QR-CBC51 50W No glass Beam 10°  
92821386: Down In Line QR-CBC51 50W Matt Glass Beam 10°  
92821389: Down In Line QR-CBC51 50W No glass Beam 38°  
92821392: Down In Line QR-CBC51 50W Matt Glass Beam 38°  
92832383: Down In Line QR111 50W No glass Beam 04° Grey Louver  
92832389: Down In Line QR111 50W No glass Beam 08° Grey Louver  
92832395: Down In Line QR111 50W No glass Beam 24° Grey Louver  
94572301: Eliks TC-L 55W No glass  
94831386: Down In Line QR-CBC51 50W Matt Glass Beam 10°  
96042381: Super Side TC-L 36W  
96043381: Super Side TC-L 40W  
96044381: Super Side TC-L 55W  
96052381: Super Side TC-L 36W  
96053381: Super Side TC-L 40W  
96054381: Super Side TC-L 55W  
96062381: Down TC-L 36W No glass Low  
96062382: Down TC-L 36W No glass High  
96063381: Down TC-L 40W No glass Low  
96063382: Down TC-L 40W No glass High  
96064381: Down TC-L 55W No glass Low  
96064382: Down TC-L 55W No glass High  
97220301: Flat Up QT9-ax 20W Matt Glass  
97220341: Flat Up QT9-ax 20W Matt Glass  
97225301: Flat Round Up QT9-ax 20W Matt Glass  
97225341: Ceiling Flat Up QT9-ax 20W Matt Glass  
97230301: Up QT12-ax 50W Matt Glass Beam 10°  
97230302: Up QT12-ax 50W Matt Glass Beam 10° louver  
97230303: Up QT12-ax 50W Matt Glass Beam 10° Sculpture  
97230304: Up QT12-ax 50W Matt Glass Beam 10° Diffusing  
97230305: Up QT12-ax 50W Matt Glass Beam 10° Red Dichroic  
97230306: Up QT12-ax 50W Matt Glass Beam 10°  
97230307: Up QT12-ax 50W Matt Glass Beam 10° Green Dichroic  
97230308: Up QT12-ax 50W Matt Glass Beam 10° Yellow Dichroic  
97230309: Up QT12-ax 50W Matt Glass Beam 10° Purple Dichroic  
97230310: Up QT12-ax 50W Matt Glass Beam 30°  
97230311: Up QT12-ax 50W Matt Glass Wallwasher  
97230341: Ceiling Up QT12-ax 50W Matt Glass Beam 10°  
97230342: Ceiling Up QT12-ax 50W Matt Glass Beam 10° louver  
97230343: Ceiling Up QT12-ax 50W Matt Glass Beam 10° Sculpture  
97230344: Ceiling Up QT12-ax 50W Matt Glass Beam 10° Diffusing  
97230345: Ceiling Up QT12-ax 50W Matt Glass Beam 10° Red Dichroic  
97230346: Ceiling Up QT12-ax 50W Matt Glass Beam 10°

97230347: Ceiling Up QT12-ax 50W Matt Glass Beam 10° Green Dichroic  
97230348: Ceiling Up QT12-ax 50W Matt Glass Beam 10° Yellow Dichroic  
97230349: Ceiling Up QT12-ax 50W Matt Glass Beam 10° Purple Dichroic  
97230350: Ceiling Up QT12-ax 50W Matt Glass Beam 30°  
97230351: Ceiling Up QT12-ax 50W Matt Glass Wallwasher  
97233001: Double Up TC-L 18W Matt Glass  
97233041: Double Up TC-L 18W Matt Glass  
97234301: Mini up QR-CBC35 20W Matt Glass Beam 10°  
97234302: Mini up QR-CBC35 20W Matt Glass Beam 10° louver  
97234303: Mini up QR-CBC35 20W Matt Glass Beam 38°  
97234304: Mini up QR-CBC35 20W Matt Glass Beam 38° louver  
97234341: Ceiling Mini Up QR-CBC35 20W Matt Glass Beam 10°  
97234342: Ceiling Mini Up QR-CBC35 20W Matt Glass Beam 10° louver  
97234343: Ceiling Mini Up QR-CBC35 20W Matt Glass Beam 38°  
97234344: Ceiling Mini Up QR-CBC35 20W Matt Glass Beam 38° louver  
97235301: Round Up QT12-ax 50W Matt Glass Beam 10°  
97235302: Round Up QT12-ax 50W Matt Glass Beam 30°  
97235303: Round Up QT12-ax 50W Matt Glass Wallwasher  
97235341: Ceiling Round Up QT12-ax 50W Matt Glass Beam 10°  
97235342: Ceiling Round Up QT12-ax 50W Matt Glass Beam 30°  
97235343: Ceiling Round Up QT12-ax 50W Matt Glass Wallwasher  
97236301: Round Up QT12-ax 35W Matt Glass Beam 10°  
97236302: Round Up QT12-ax 35W Matt Glass Beam 30°  
97236303: Round Up QT12-ax 35W Matt Glass Wallwasher  
97236341: Ceiling Round Up QT12-ax 35W Matt Glass Beam 10°  
97236342: Ceiling Round Up QT12-ax 35W Matt Glass Beam 30°  
97236343: Ceiling Round Up QT12-ax 35W Matt Glass Wallwasher  
97237301: Mini Round Up QR-CBC35 20W Matt Glass Beam 10°  
97237302: Mini Round Up QR-CBC35 20W Matt Glass Beam 38°  
97237341: Ceiling Mini Round Up QR-CBC35 20W Matt Glass Beam 10°  
97237342: Ceiling Mini Round Up QR-CBC35 20W Matt Glass Beam 38°  
97238301: Up QT12-ax 35W Matt Glass Beam 10°  
97238302: Up QT12-ax 35W Matt Glass Beam 30°  
97238303: Up QT12-ax 35W Matt Glass Wallwasher  
97238341: Ceiling Up QT12-ax 35W Matt Glass Beam 10°  
97238342: Ceiling Up QT12-ax 35W Matt Glass Beam 30°  
97238343: Ceiling Up QT12-ax 35W Matt Glass Wallwasher  
97239001: Double Up TC-D 13W Matt Glass  
97239041: Ceiling Double Up TC-D 13W Matt Glass  
97240301: Side TC-D 13W Clear Glass Mirror Reflector  
97240302: Side TC-D 13W Clear Glass Matt Reflector  
97240303: Side TC-D 13W Clear Glass Millerighe Reflector  
97241301: Side TC-D 18W Clear Glass Mirror Reflector  
97241302: Side TC-D 18W Clear Glass Matt Reflector  
97241303: Side TC-D 18W Clear Glass Millerighe Reflector  
97242301: Side QT32 150W Clear Glass Mirror Reflector  
97242302: Side QT32 150W Clear Glass Matt Reflector  
97242303: Side QT32 150W Clear Glass Millerighe Reflector  
97243301: Side QT-DE12 300W Clear Glass Mirror Reflector  
97243302: Side QT-DE12 300W Clear Glass Matt Reflector  
97243303: Side QT-DE12 300W Clear Glass Millerighe Reflector  
97244301: Side HIT-DE 70W Clear Glass Mirror Reflector  
97244302: Side HIT-DE 70W Clear Glass Matt Reflector  
97244303: Side HIT-DE 70W Clear Glass Millerighe Reflector  
97245301: Side HIT-DE 150W Clear Glass Mirror Reflector  
97245302: Side HIT-DE 150W Clear Glass Matt Reflector  
97245303: Side HIT-DE 150W Clear Glass Millerighe Reflector  
97246301: Side DSSDX 100W Clear Glass Mirror Reflector  
97246302: Side DSSDX 100W Clear Glass Matt Reflector  
97246303: Side DSSDX 100W Clear Glass Millerighe Reflector  
97247301: Side SDW-T 100W Clear Glass Mirror Reflector  
97247302: Side SDW-T 100W Clear Glass Matt Reflector

97247303: Side SDW-T 100W Clear Glass Millerighe Reflector  
97250301: Down QR111 75W Matt Glass Beam 08°  
97250302: Down QR111 75W Matt Glass Beam 24°  
97250303: Down QR111 75W Matt Glass Beam 45°  
97250304: Down QR111 75W No glass Beam 08°  
97250305: Down QR111 75W No glass Beam 24°  
97250306: Down QR111 75W No glass Beam 45°  
97252301: Down HIT 70W Clear Glass  
97252302: Down HIT 70W Matt Glass  
97253301: Mini Down QR-CBC51 50W No glass Beam 10°  
97253302: Mini Down QR-CBC51 50W No glass Beam 38°  
97253303: Mini Down QR-CBC51 50W Matt Glass Beam 10°  
97253304: Mini Down QR-CBC51 50W Matt Glass Beam 38°  
97254301: Down TC-D 10W No glass  
97254302: Down TC-D 10W Matt Glass  
97256302: Mini Down QR-CBC35 50W No glass Beam 38°  
97257301: Mini Down QR-CBC51 50W No glass Beam 10°  
97257302: Mini Down No glass Beam 38°  
97258301: Flat Mini Down QT9-ax 20W Matt Glass  
97259301: Micro Down QR-CBC35 50W No glass Beam 10°  
97259302: Micro Down No glass Beam 38°  
97261301: Small side TC-D 13W Clear Glass Mirror Reflector  
97261302: Small side TC-D 13W Clear Glass Matt Reflector  
97261303: Small side TC-D 13W Clear Glass Millerighe Reflector  
97262301: Small side QT-DE12 100W Clear Glass Mirror Reflector  
97262302: Small side QT-DE12 100W Clear Glass Matt Reflector  
97262303: Small side QT-DE12 100W Clear Glass Millerighe Reflector  
97265301: Mini Side QT9-ax 20W Clear Glass Mirror Reflector  
97265302: Mini Side QT9-ax 20W Clear Glass Matt Reflector  
97265303: Mini Side QT9-ax 20W Clear Glass Millerighe Reflector  
97270301: Square Side TC-D 18W Clear Glass Mirror Reflector  
97270302: Square Side TC-D 18W Clear Glass Matt Reflector  
97270303: Square Side TC-D 18W Clear Glass Millerighe Reflector  
97271301: Square Side TC-D 26W Clear Glass Mirror Reflector  
97271302: Square Side TC-D 26W Clear Glass Matt Reflector  
97271303: Square Side TC-D 26W Clear Glass Millerighe Reflector  
97272301: Square Side QT32 150W Clear Glass Mirror Reflector  
97272302: Square Side QT32 150W Clear Glass Matt Reflector  
97272303: Square Side QT32 150W Clear Glass Millerighe Reflector  
97273301: Square Side QT-DE12 300W Clear Glass Mirror Reflector  
97273302: Square Side QT-DE12 300W Clear Glass Matt Reflector  
97273303: Square Side QT-DE12 300W Clear Glass Millerighe Reflector  
97274301: Square Side HIT-DE 70W Clear Glass Mirror Reflector  
97274302: Square Side HIT-DE 70W Clear Glass Matt Reflector  
97274303: Square Side HIT-DE 70W Clear Glass Millerighe Reflector  
97275301: Square Side HIT-DE 150W Clear Glass Mirror Reflector  
97275302: Square Side HIT-DE 150W Clear Glass Matt Reflector  
97275303: Square Side HIT-DE 150W Clear Glass Millerighe Reflector  
97276301: Square Side DSSDX 100W Clear Glass Mirror Reflector  
97276302: Square Side DSSDX 100W Clear Glass Matt Reflector  
97276303: Square Side DSSDX 100W Clear Glass Millerighe Reflector  
97277301: Square Side SDW-T 100W Clear Glass Mirror Reflector  
97277302: Square Side SDW-T 100W Clear Glass Matt Reflector  
97277303: Square Side SDW-T 100W Clear Glass Millerighe Reflector  
97281301: Small Square Side TC-D 18W Clear Glass Mirror Reflector  
97281302: Small Square Side TC-D 18W Clear Glass Matt Reflector  
97281303: Small Square Side TC-D 18W Clear Glass Millerighe Reflector  
97282301: Small Square Side QT-DE12 150W Clear Glass Mirror Reflector  
97282302: Small Square Side QT-DE12 150W Clear Glass Matt Reflector  
97282303: Small Square Side QT-DE12 150W Clear Glass Millerighe Reflector  
99230301: Up QT12-ax 50W Clear Glass Beam 10°  
99230302: Up QT12-ax 50W Clear Glass Beam 30°

99230303: Up QT12-ax 50W Clear Glass Wallwasher  
99230304: Up QT12-ax 50W Clear Glass Beam 10° louver  
99230305: Up QT12-ax 50W Clear Glass Beam 10° Sculpture  
99230306: Up QT12-ax 50W Clear Glass Beam 10° Diffusing  
99230307: Up QT12-ax 50W Clear Glass Beam 10° Red Dichroic  
99230308: Up QT12-ax 50W Clear Glass Beam 10° Purple Dichroic  
99230309: Up QT12-ax 50W Clear Glass Beam 10°  
99230310: Up QT12-ax 50W Clear Glass Beam 10° Green Dichroic  
99230311: Up QT12-ax 50W Clear Glass Beam 10° Yellow Dichroic  
99230341: Ceiling Up QT12-ax 50W Clear Glass Beam 10°  
99230342: Ceiling Up QT12-ax 50W Clear Glass Beam 30°  
99230343: Ceiling Up QT12-ax 50W Clear Glass Wallwasher  
99230344: Ceiling Up QT12-ax 50W Clear Glass Beam 10° louver  
99230345: Ceiling Up QT12-ax 50W Clear Glass Beam 10° Sculpture  
99230346: Ceiling Up QT12-ax 50W Clear Glass Beam 10° Diffusing  
99230347: Ceiling Up QT12-ax 50W Clear Glass Beam 10° Red Dichroic  
99230348: Ceiling Up QT12-ax 50W Clear Glass Beam 10° Purple Dichroic  
99230349: Ceiling Up QT12-ax 50W Clear Glass Beam 10°  
99230350: Ceiling Up QT12-ax 50W Clear Glass Beam 10° Green Dichroic  
99230351: Ceiling Up QT12-ax 50W Clear Glass Beam 10° Yellow Dichroic  
99231001: Double Up HIT-DE 150W Clear Glass  
99231041: Ceiling Double Up HIT-DE 150W Clear Glass  
99234301: Mini Up QR-CBC35 20W Clear Glass Beam 10°  
99234302: Mini Up QR-CBC35 20W Clear Glass Beam 10° louver  
99234303: Mini Up QR-CBC35 20W Clear Glass Beam 38°  
99234304: Mini Up QR-CBC35 20W Clear Glass Beam 38° louver  
99234341: Ceiling Mini Up QR-CBC35 20W Clear Glass Beam 10°  
99234342: Ceiling Mini Up QR-CBC35 20W Clear Glass Beam 10° louver  
99234343: Ceiling Mini Up QR-CBC35 20W Clear Glass Beam 38°  
99234344: Ceiling Mini Up QR-CBC35 20W Clear Glass Beam 38° louver  
99235301: Round Up QT12-ax 50W Clear Glass Beam 10°  
99235302: Round Up QT12-ax 50W Clear Glass Beam 30°  
99235303: Round Up QT12-ax 50W Clear Glass Wallwasher  
99235341: Ceiling Round Up QT12-ax 50W Clear Glass Beam 10°  
99235342: Ceiling Round Up QT12-ax 50W Clear Glass Beam 30°  
99235343: Ceiling Round Up QT12-ax 50W Clear Glass Wallwasher  
99236301: Round Up QT12-ax 35W Clear Glass Beam 10°  
99236302: Round Up QT12-ax 35W Clear Glass Beam 30°  
99236303: Round Up QT12-ax 35W Clear Glass Wallwasher  
99236341: Ceiling Round Up QT12-ax 35W Clear Glass Beam 10°  
99236342: Ceiling Round Up QT12-ax 35W Clear Glass Beam 30°  
99236343: Ceiling Round Up QT12-ax 35W Clear Glass Wallwasher  
99237301: Mini Round Up QR-CBC35 20W Clear Glass Beam 10°  
99237302: Mini Round Up QR-CBC35 20W Clear Glass Beam 38°  
99237341: Ceiling Mini Up QR-CBC35 20W Matt Glass Beam 10°  
99237342: Ceiling Mini Up QR-CBC35 20W Matt Glass Beam 38°  
99238301: Up QT12-ax 35W Clear Glass Beam 10°  
99238302: Up QT12-ax 35W Clear Glass Beam 30°  
99238303: Up QT12-ax 35W Clear Glass Wallwasher  
99238341: Ceiling Up QT12-ax 50W Clear Glass Beam 10°  
99238342: Ceiling Up QT12-ax 50W Clear Glass Beam 30°  
99238343: Ceiling Up QT12-ax 50W Clear Glass Wallwasher